

**READ AND UNDERSTAND THESE INSTRUCTIONS
BEFORE INSTALLING FIXTURE!**

Installation Instructions for AG3 Series LUMENRAY

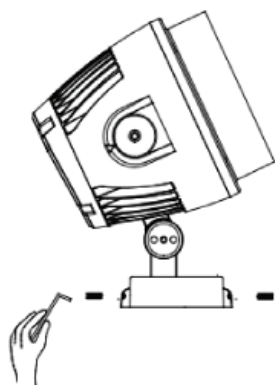
NOTE: Do not use power tools to remove or reinstall screws. Use only hand tools to tighten!

DANGER: Disconnect power before wiring or maintenance. Fixture must be installed by qualified electrician. Do not install in a location where standing water collects. Fixture must always be installed according to local and national electrical codes. Fixture must be installed on a circuit protected by ground fault circuit interrupter (GFCI).

WARNING: All joints must be sealed from water entry, use appropriate sealing material where necessary. Always ensure that all gaskets and sealing surfaces are free of dirt and debris.

Use the following Guidelines when installing LED fixtures: Install LED fixtures on their own circuit, Do not mix with other non LED fixtures or products. Do not use any other electrical equipment like surge protectors, photocells, etcetera on the same circuit that is not rated for use with LED fixtures. Install remote surge protectors appropriate for the installation (by others) with nothing between the surge protector and the LED fixtures.

AG3 series luminaire is designed for general landscape lighting for mounting on walls, ceilings or trees with outdoor weather proof boxes. Make sure supply wire is in place before mounting fixture.



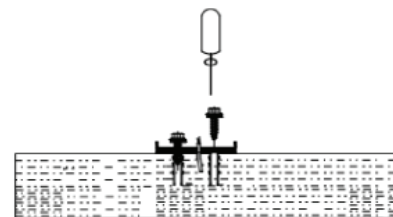
Step 1: Loosen Base Screw

Using the appropriate screwdriver, loosen the screw on the base of the fixture to release the mounting plate. Do not remove the screw completely.



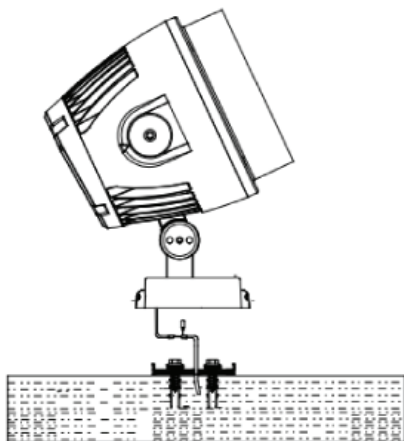
Step 2: Remove Mounting Plate

Detach the mounting plate from the fixture. Set aside both the plate and screws for reinstallation.



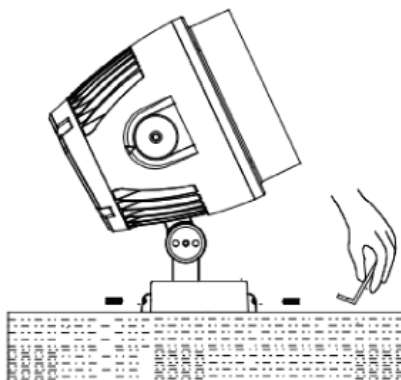
Step 3: Drill Mounting Holes

Place the mounting plate against the wall or ground surface. Mark the hole positions, then drill two holes according to the markings. Ensure the holes are sized to fit the provided anchors or fasteners.



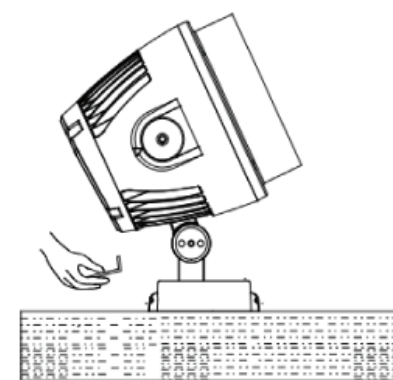
Step 4: Connect Power Supply

Connect the lamp power cable to the driver power cable. Lock the waterproof connector securely to ensure proper sealing and weather resistance. Verify polarity and grounding connections.



Step 5: Install Fixture on Mounting Plate

Position the fixture onto the mounting plate and secure it by tightening the base screw. Confirm that the fixture is firmly seated on the plate.



Step 6: Final Adjustment

Tighten all screws fully. Adjust the lamp head to the required angle for optimal illumination. Ensure the fixture is stable and all connections are sealed.

**READ AND UNDERSTAND THESE INSTRUCTIONS
BEFORE INSTALLING FIXTURE!**

Installation Instructions for **AG3 Series LUMENRAY**

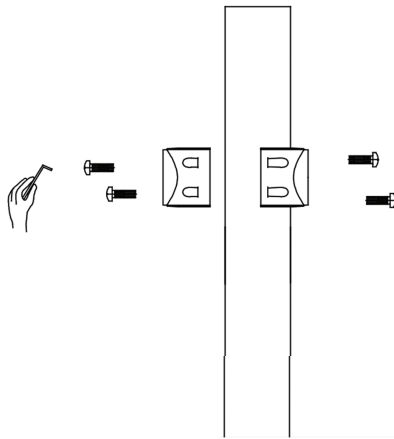
NOTE: Do not use power tools to remove or reinstall screws. Use only hand tools to tighten!

DANGER: Disconnect power before wiring or maintenance. Fixture must be installed by qualified electrician. Do not install in a location where standing water collects. Fixture must always be installed according to local and national electrical codes. Fixture must be installed on a circuit protected by ground fault circuit interrupter (GFCI).

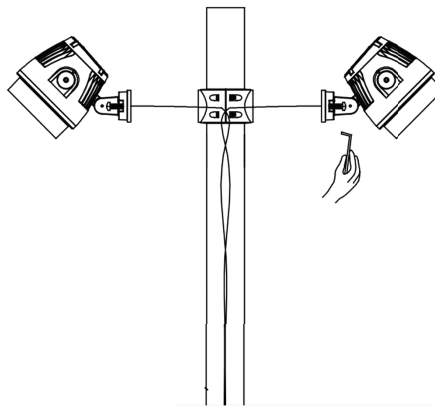
WARNING: All joints must be sealed from water entry, use appropriate sealing material where necessary. Always ensure that all gaskets and sealing surfaces are free of dirt and debris.

Use the following Guidelines when installing LED fixtures: Install LED fixtures on their own circuit, Do not mix with other non LED fixtures or products. Do not use any other electrical equipment like surge protectors, photocells, etcetera on the same circuit that is not rated for use with LED fixtures. Install remote surge protectors appropriate for the installation (by others) with nothing between the surge protector and the LED fixtures.

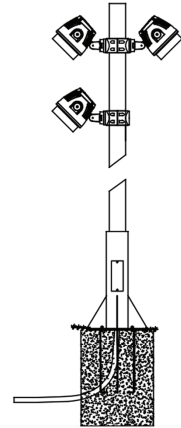
AG3 series luminaire is designed for general landscape lighting for mounting on walls, ceilings or trees with outdoor weather proof boxes. Make sure supply wire is in place before mounting fixture.



Step 1:
Attach the clamps to the lamp post and securely tighten them.



Step 2:
Mount the lamps onto the pole-mounted clamps.



Step 3:
Secure the lamp firmly and adjust it to the appropriate angle based on the required lighting direction.

2025.1001