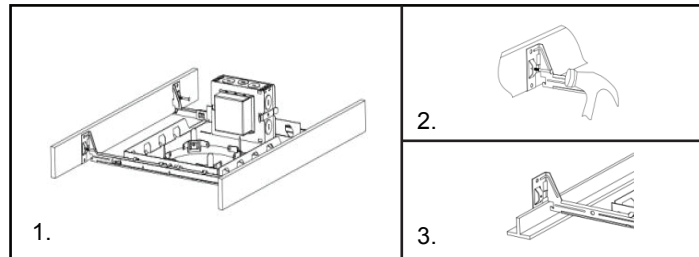


## HOUSING INSTALLATION

### FASTENING FIXTURE TO CEILING

- Joist-type ceiling-extend bar hangers to fit between joists. Position fixture temporarily by hammering "Nail" into joists. (Drawing2) then secure permanently with nails Hanger should be level with bottom of joists.
- Suspended (T-bar) ceilings-extend bar hangers 1" past T-bars, then rest fixture on T-bars, Secure fixture to T-bars with wire (Drawing3)



1. Cut out a hole 4 1/2" (4" HOUSING) or 6 1/2" (6" HOUSING) or 8 1/2" (8" HOUSING) in the drywall



2. Install MOUNTING FRAME using ADJUSTABLE MOUNTING BRACKET

3. Adjust MOUNTING FRAME to the proper height by loosening the wing nuts on both adjustable brackets and set the MOUNTING FRAME so that the bottom edge of the FRAME is flush with the finished ceiling Tighten the wing nuts

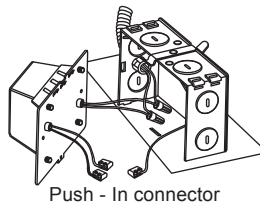
4. Junction box is suitable for branch wiring and is supplied with trade size knockouts and integral Romex connectors

5. For Romex pry open the knock out and push the wire through the clamp plate inside
  - a) Wire connections must be installed in a manner that does not interfere with the strain relief action of the clamp

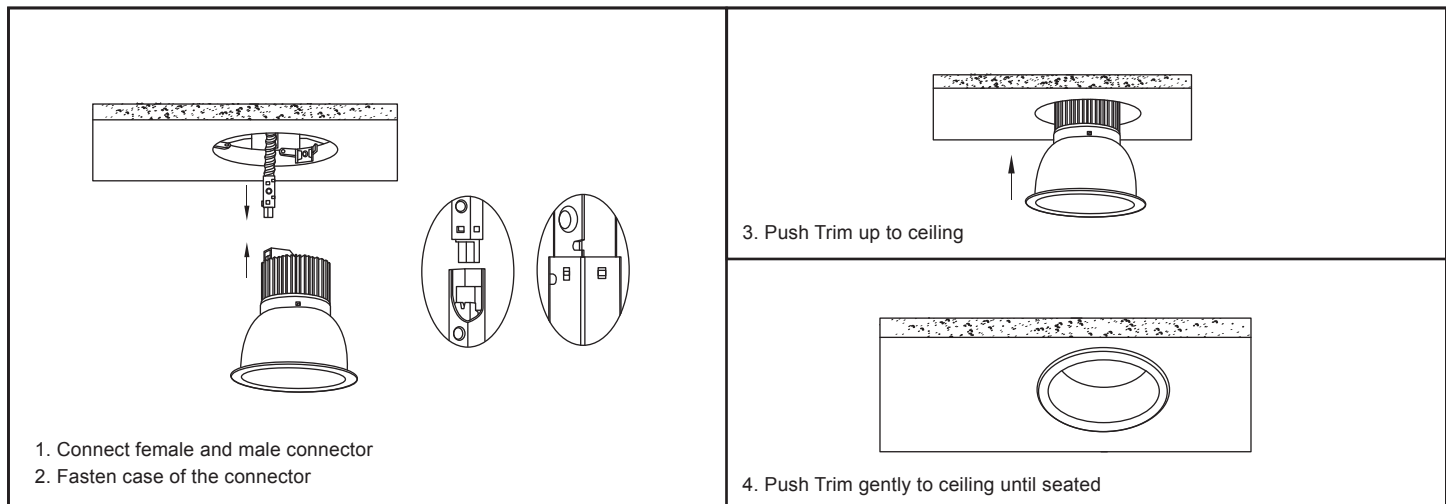
**NOTE :** Final vertical adjustment can be made by means of WING NUT AND SCREW

### ELECTRICAL CONNECTION

1. Open junction box door and connect fixture wires to building wires in the following sequence White fixture wire to white neutral wire black fixture wire to (hot)
2. Use push-in type wire connectors supplied or white nuts
3. Replace junction box door



### TRIM INSTALLATION



1. Connect female and male connector
2. Fasten case of the connector

3. Push Trim up to ceiling

4. Push Trim gently to ceiling until seated

CATALOG # : CH4/CH6/CH8

## SAVE THESE INSTRUCTIONS

**WARNING** : These products may represent a possible shock or fire hazard if improperly installed or attached in any way. Products should be installed in accordance with these instructions, current electrical codes and/or the current National Electric code(NEC).

Do not make or alter any open holes in a wiring enclosure nor any electrical components during kit installation.

**WARNING** : Risk of fire or electric shock. Kit installation requires knowledge of recessed lighting luminaires electrical systems. If not qualified, do not attempt installation. Contact a qualified electrician.

Do not use these products in luminaires located where elevated ambient temperatures exist.

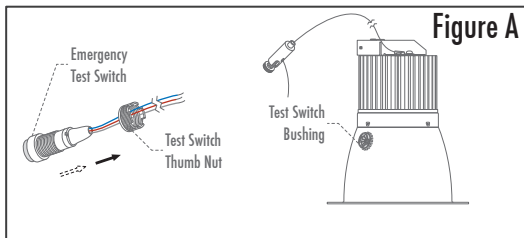
**WARNING** : Risk of fire or electric shock. The electrical rating of this product is 120V Ac. The installer must determine whether power supply is 120V AC at the luminaire before installation.

(120V/277V Ac 50~60Hz is available if 120V/277V is indicated on caution label)

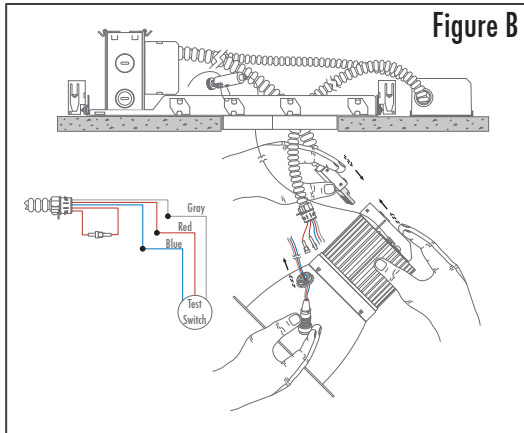
**WARNING** : Risk of fire or electric shock. Luminaire's wiring, ballast(s), or other electrical parts may be damaged when drilling for installation of reflector kit hardware. If drilling is required in any installation, check for enclosed wiring and components and be careful to protect them from any harm. To prevent wiring damage or abrasion, do not expose wiring to edges of sheet metal or other sharp objects.

**LIST OF COMPATIBLE DIMMERS :**

Mfgr	Model #	Dimming Rate
Lutron	NFTV	10 - 100%
Lutron	NTSTV-DV	10 - 100%
Legrand	CD4FBLW	10 - 100%



**CAUTION-** INSTALL AND USE THIS LUMINAIRE FOLLOWING YOUR LOCAL ELECTRICAL CODES AND REGULATIONS.  
-- READ ALL INSTRUCTIONS

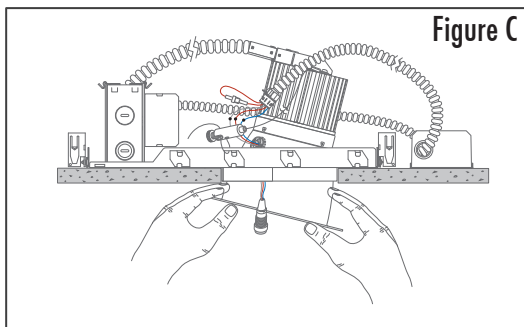


### PREPARATION:

1). Read and understand instructions completely before installing this luminaire. If you are unfamiliar with electrical wiring have a qualified licensed electrician install this luminaire for you.

### ELECTRICAL CONNECTIONS:

- 1). **WARNING-** Before starting the wire connections, disconnect the power by turning off the circuit breaker or removing the fuse at the fuse panel. Turning the power off using the light switch is not sufficient to prevent electrical shock.
- 2). This luminaire must be connected with supply wire rated at 90°C. Most dwellings built before 1985 have supply wire rated at 60°C; consult a qualified electrician before installing.

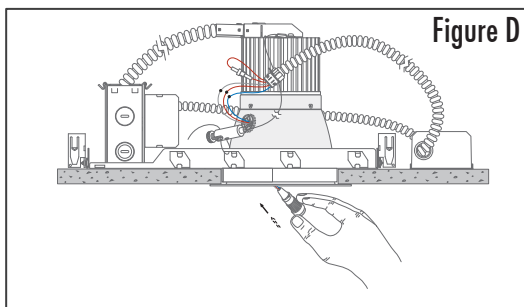


### INSTALL TEST SWITCH:

- 1). Remove the Thumb Nut, it's no needed to install the Test Switch in the Reflector. See FIG. A

### MAKE CONNECTIONS:

- 2). Insert Test Switch Wires through Bushing, connect Luminaire and hard wire Test Switch (follow Wiring Diagram from Emergency Specifications). See FIG. B

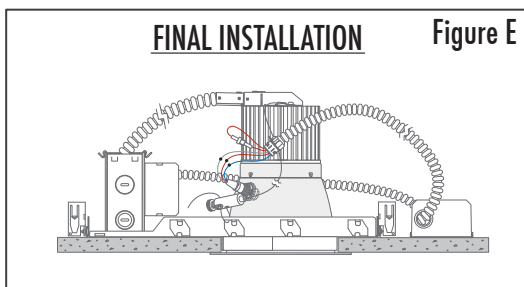


### INSTALL LUMINAIRE HOUSING:

- 3). Insert Luminaire through Ceiling Opening and push up until it is secure and tight to the Recessed Frame. See FIG. C

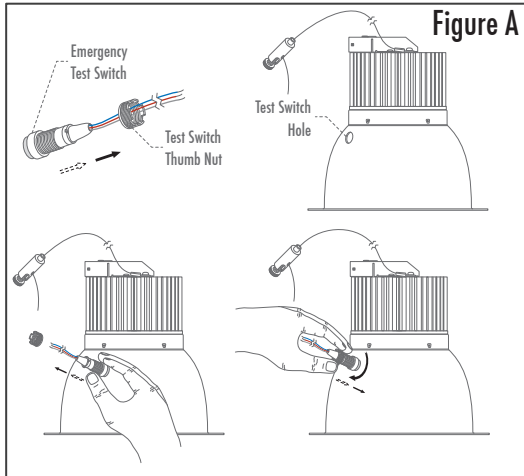
### INSTALL TEST SWITCH:

- 4). Insert Test Switch through the Bushing, push it up until it is flush to Reflector Surface. See FIG. D



### FINAL INSTALLATION:

- 5). See FIG. E



**CAUTION-** INSTALL AND USE THIS LUMINAIRE FOLLOWING YOUR LOCAL ELECTRICAL CODES AND REGULATIONS.  
-- READ ALL INSTRUCTIONS

### PREPARATION:

1). Read and understand instructions completely before installing this luminaire. If you are unfamiliar with electrical wiring have a qualified licensed electrician install this luminaire for you.

### ELECTRICAL CONNECTIONS:

1). **WARNING-** Before starting the wire connections, disconnect the power by turning off the circuit breaker or removing the fuse at the fuse panel. Turning the power off using the light switch is not sufficient to prevent electrical shock.  
2). This luminaire must be connected with supply wire rated at 90°C. Most dwellings built before 1985 have supply wire rated at 60°C; consult a qualified electrician before installing.

### INSTALL TEST SWITCH:

1). Remove the Thumb Nut and insert the Test Switch from inside of the Reflector. See FIG. A

### MAKE CONNECTIONS:

2). Connect Luminaire and hard wire Test Switch (follow Wiring Diagram from Emergency Specifications). See FIG. B

### INSTALL LUMINAIRE HOUSING:

3). Insert Luminaire through Ceiling Opening and push up until it is secure and tight to the Recessed Frame. See FIG. C

### FINAL INSTALLATION:

4). See FIG. D

