

CAUTION- INSTALL AND USE THIS LUMINAIRE FOLLOWING YOUR LOCAL ELECTRICAL CODES AND REGULATIONS.
-- READ ALL INSTRUCTIONS

PREPARATION:

1). Read and understand instructions completely before installing this luminaire. If you are unfamiliar with electrical wiring have a qualified licensed electrician install this luminaire for you.

ELECTRICAL CONNECTIONS:

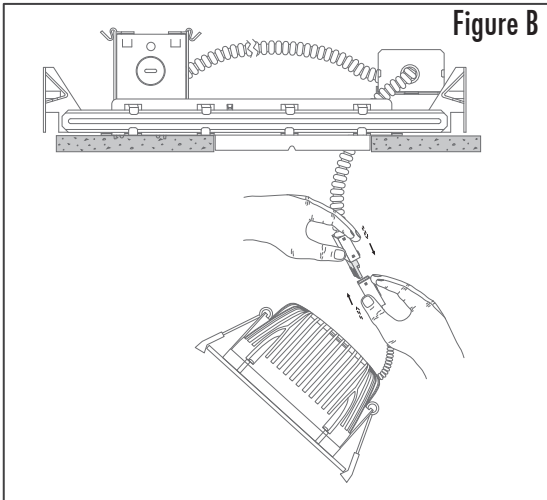
- 1). **WARNING-** Before starting the wire connections, disconnect the power by turning off the circuit breaker or removing the fuse at the fuse panel. Turning the power off using the light switch is not sufficient to prevent electrical shock.
- 2). This luminaire must be connected with supply wire rated at least 90° C. Most dwellings built before 1985 have supply wire rated at 60° C; consult a qualified electrician before installing.

REMOVE NECESSARY PARTS FROM EXISTING FRAME:

- 1). Remove all necessary parts from existing frame to make room for Retrofit Fixture. For sample, remove Reflector/Housing, disconnect Ballast/Transformer, See FIG. A
- 2). Install Retrofit Input Flex to existing J-Box and make electrical connections. Make sure existing Ceiling Cut-out and Thickness meet this Retrofit Specs. See FIG. A

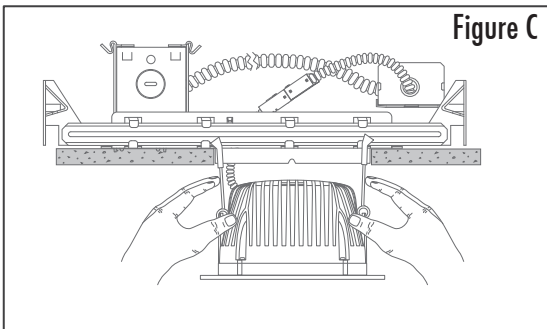
CONNECT RECESSED LUMINAIRE:

- 3). Connect Luminaire to Output Flex Quick Connectors, See FIG. B



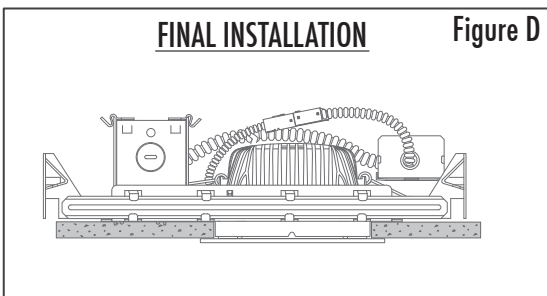
INSTALL RECESSED LUMINAIRE:

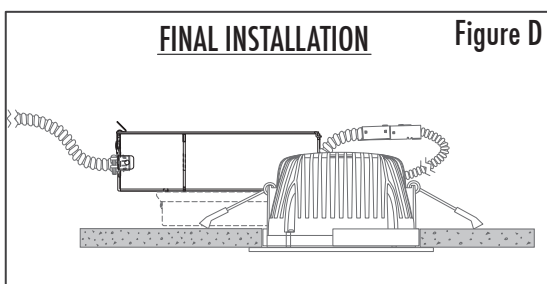
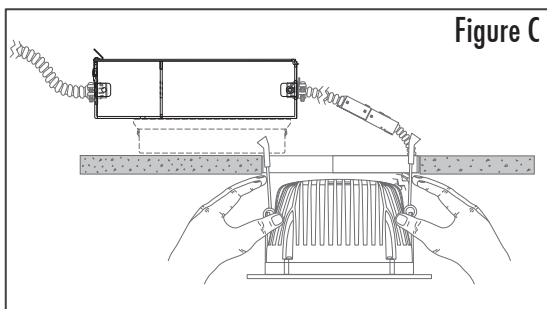
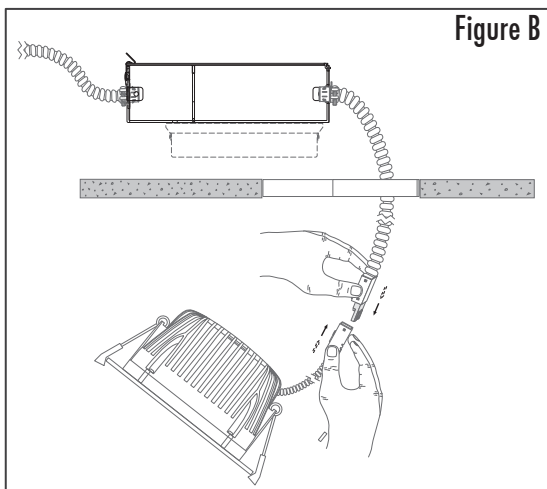
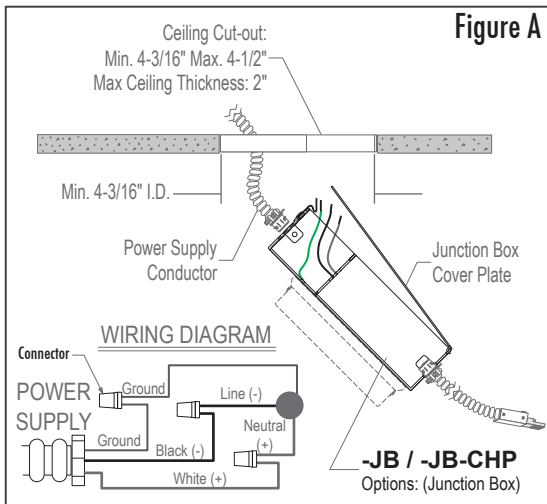
- 4). Place Driver/Electrical Box (provided) to either side of Frame Opening for clearance to Install Retrofit Fixture, See FIG. C
- 5). Press Torsion Springs and insert Luminaire through the Ceiling Opening, See FIG. C



FINAL INSTALLATION:

- 6). See FIG. D





CAUTION- INSTALL AND USE THIS LUMINAIRE FOLLOWING YOUR LOCAL ELECTRICAL CODES AND REGULATIONS.
-- READ ALL INSTRUCTIONS

PREPARATION:

1). Read and understand instructions completely before installing this luminaire. If you are unfamiliar with electrical wiring have a qualified licensed electrician install this luminaire for you.

ELECTRICAL CONNECTIONS:

- 1). **WARNING-** Before starting the wire connections, disconnect the power by turning off the circuit breaker or removing the fuse at the fuse panel. Turning the power off using the light switch is not sufficient to prevent electrical shock.
- 2). This luminaire must be connected with supply wire rated at least 90° C. Most dwellings built before 1985 have supply wire rated at 60° C; consult a qualified electrician before installing.

REMOVE NECESSARY PARTS FOR CEILING CUT-OUT:

- 1). Remove all necessary parts from existing fixture to make ceiling cut-out. For sample, remove surface fixture, electrical box or power conductor, See FIG. A
- 2). Install Input Flex to J-Box (Ordering Option: **-JB**) and make electrical connections. Make sure existing Ceiling Cut-out and Thickness meet this Retrofit Specs. See FIG. A

CONNECT RECESSED LUMINAIRE:

- 3). Connect Remodel Luminaire to Output Flex Quick Connectors, See FIG. B

INSTALL RECESSED LUMINAIRE:

- 4). Place Driver/Electrical Box (if provided) to either side of Ceiling Cut-out for clearance to Install Remodel Fixture, See FIG. C
- 5). Press Torsion Springs and insert Luminaire through the Ceiling Cut-out, See FIG. C

FINAL INSTALLATION:

- 6). See FIG. D