

Figure A

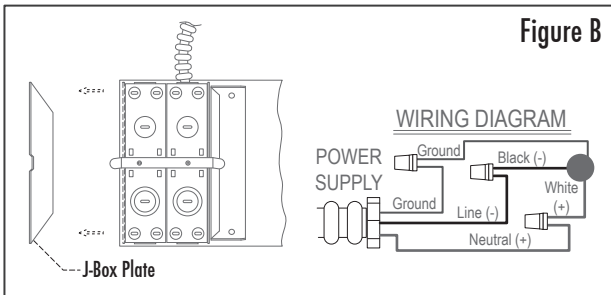


Figure B

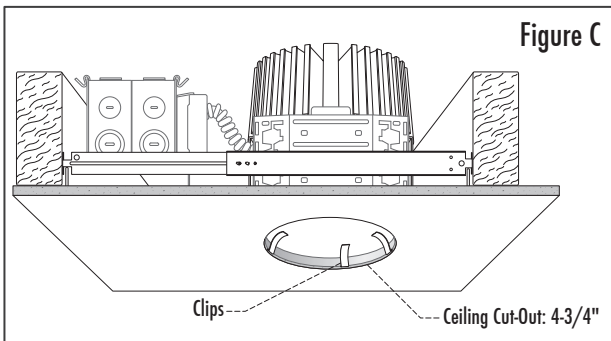


Figure C

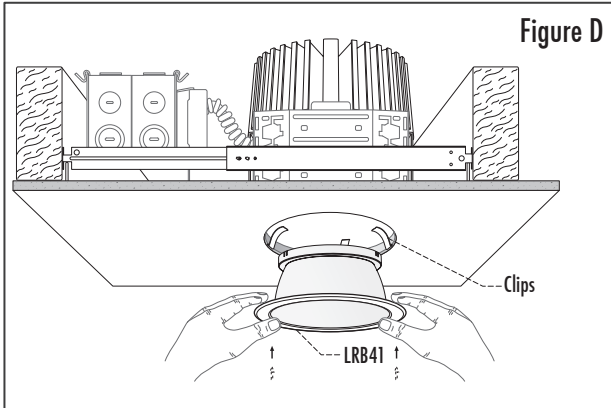


Figure D

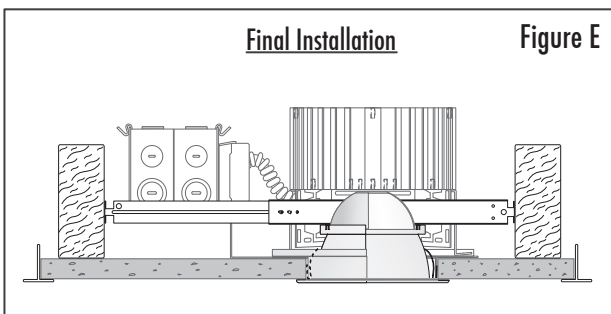


Figure E

INSTALL AND USE THIS LUMINAIRE FOLLOWING YOUR LOCAL ELECTRICAL CODES AND REGULATIONS.

PREPARATION:

- 1). Read and understand instructions completely before installing this luminaire. If you are unfamiliar with electrical wiring have a qualified licensed electrician install this luminaire for you.
- 2). Before proceeding the installation, be sure that the ceiling construction follows the proper requirements . See (FIG. A) as per your reference.

CAUTION!

Ceiling insulation must be kept a minimum of 3" away from the sides of the housing. No insulation allowed on the top. Install housing at a minimum of 1/2" away from combustible material such as wooden ceiling joists, sub-flooring or roofing.

A) INSTALL RECESSED FRAME:

- 1). Mount frame to ceiling grid or wood joist using the hanger bars (provided). Ensure frame opening is in desired location by adjusting the hanger bars (see FIG. A).

B) ELECTRICAL CONNECTIONS:

- 1). **WARNING-** Before starting the wire connections, disconnect the power by turning off the circuit breaker or removing the fuse at the fuse panel. Turning the power off using the light switch is not sufficient to prevent electrical shock.
- 2). This luminaire must be connected with supply wire rated at 90°C. Most dwellings built before 1985 have supply wire rated at 60°C; consult a qualified electrician before installing this luminaire.
- 3). Connect the power source to the luminaire junction box. Then, Make power Connections, (see FIG. B) Wiring Diagram use twist type wire connectors (by others) suitable for the size, type and number of wires.
- 4). After completing the wiring (be sure the wires are placed within the wiring box), replace cover plate (see FIG. B).

C) CEILING CUT-OUT:

- 1). Install ceiling board and make hole, trace circle on ceiling board in desired location. Cut hole accurately at 4.75" Diameter (see FIG. C).

D) INSTALL LUMINAIRE TRIM:

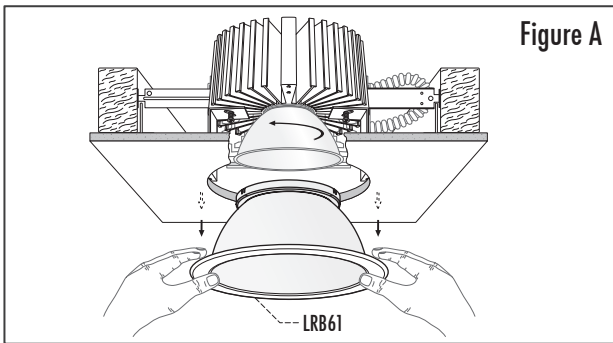
- 1). Aim the Luminaire Trim and insert into the Opening until the clips will hold the Trim and flange is flush with the ceiling surface, (see FIG. D).

E) FINAL INSTALLATION:

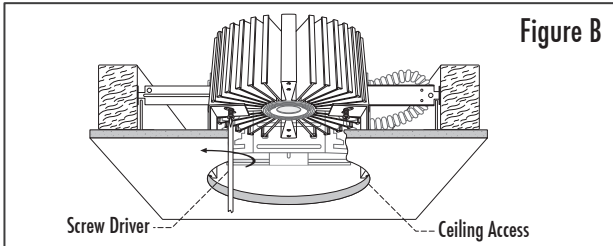
- 1). (see FIG. E).

PROVIDING MAINTENANCE INSTRUCTIONS AFTER INSTALLATION

CATALOG # : LHALD with LRB SERIES 4in,6in and 8in ARCHITECTURAL RECESSED HOUSINGS **SAVE THESE INSTRUCTIONS**



INSTALL AND USE THIS LUMINAIRE FOLLOWING YOUR LOCAL ELECTRICAL CODES AND REGULATIONS.

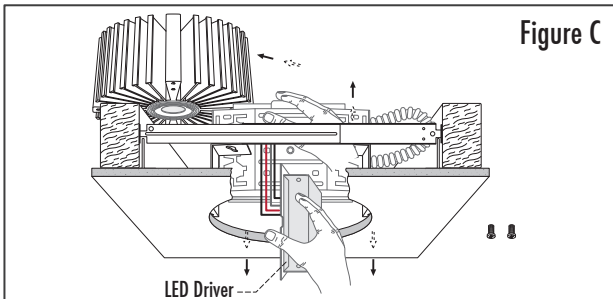


PREPARATION:

- 1). Read and understand instructions completely before installing this luminaire. If you are unfamiliar with electrical wiring have a qualified licensed electrician install this luminaire for you.
- 2). Before proceeding the installation, be sure that the ceiling construction follows the proper requirements . See (FIG. A) as per your reference.

CAUTION!

Ceiling insulation must be kept a minimum of 3" away from the sides of the housing. No insulation allowed on the top. Install housing at a minimum of 1/2" away from combustible material such as wooden ceiling joists, sub-flooring or roofing.



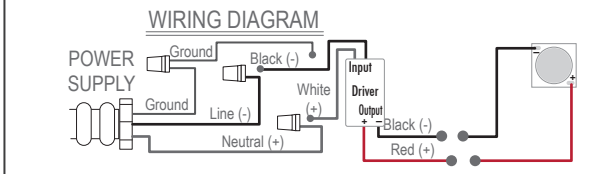
A) REMOVE REFLECTORS

B) UNSCREW LUMINAIRE LED ENGINE

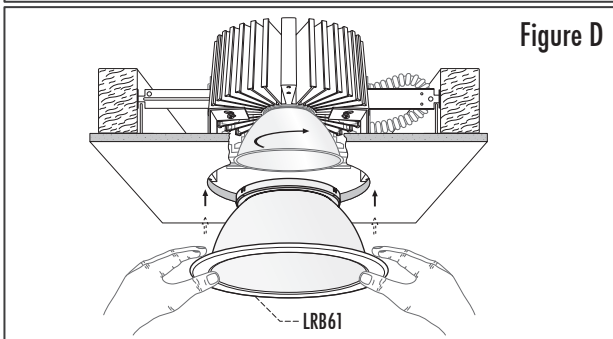
C) PUSH LED ENGINE TO SIDE AND REMOVE DRIVER FROM J-BOX

DISCONNECT DRIVER AND REPLACE PARTS, SEE WIRING DIAGRAM

REPLACE THE LED ENGINE AND SECURE TO THE BRACKET, USE THE TWO SCREWS



D) REPLACE REFLECTORS



E) FINAL INSTALLATION

