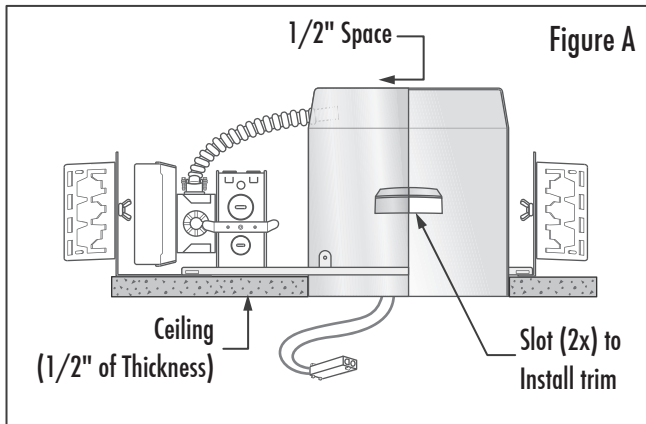


INSTALLATION INSTRUCTIONS for NON-IC HOUSING for NEW CONSTRUCTION APPLICATIONS

CATALOG # : LHCM6 with LR6277, LH.....



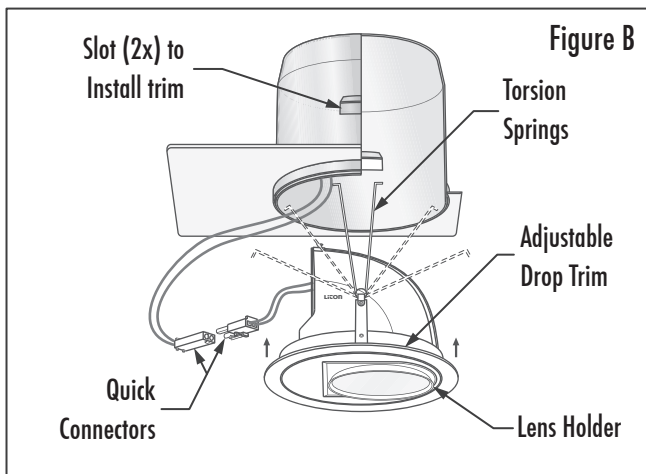
INSTALL AND USE THIS LUMINAIRE FOLLOWING YOUR LOCAL ELECTRICAL CODES AND REGULATIONS.

PREPARATION:

- 1). Read and understand instructions completely before installing this luminaire. If you are unfamiliar with electrical wiring have a qualified licensed electrician install this luminaire for you.
- 2). Before proceeding the installation, be sure that the ceiling construction follows the proper requirements . See (FIG. A) as per your reference.

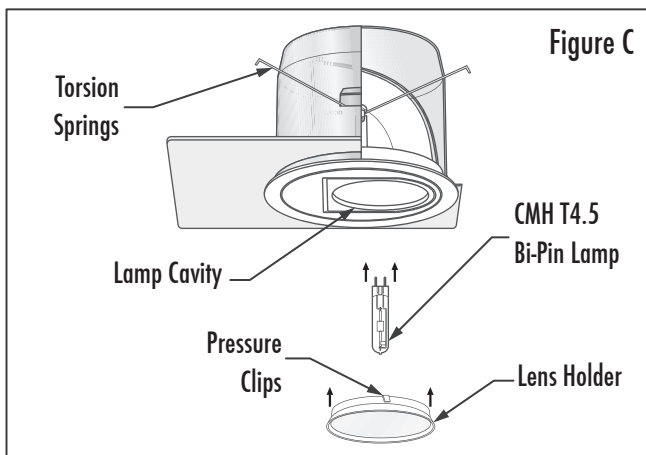
CAUTION!

Ceiling insulation must be kept a minimum of 3" away from the sides of the housing. No insulation allowed on the top. Install housing at a minimum of 1/2" away from combustible material such as wooden ceiling joists, sub-flooring or roofing. (FIG.A)



ELECTRICAL CONNECTIONS:

- 1). **WARNING-** Before starting the wire connections, disconnect the power by turning off the circuit breaker or removing the fuse at the fuse panel. Turning the power off using the light switch is not sufficient to prevent electrical shock.
- 2). This luminaire must be connected with supply wire rated at 90°C. Most dwellings built before 1985 have supply wire rated at 60°C; consult a qualified electrician before installing.
- 3). Connect the power source to the luminaire junction box. Connect the black wire to the black wire of the power source, the white wire to the white wire of the power source and Connect the green ground wire to the green ground wire of the power source using twist type wire connectors (by others) suitable for the size, type and number of wires.
- 4). After completing the wiring (be sure the wires are placed within the wiring box), snap wiring box cover closed.



INSTALLING THE TRIM:

- 1). Connect the socket quick connector to the housing connector as shown in (FIG. B).
- 2). (TORSION SPRINGS): Squeeze the arms together and insert them into the slots on the inside of the housing. Push the trim upward fully so the springs will hold it in place, (see FIG. B and FIG. C).

TO INSTALL LAMP:

- 1). Remove the lens holder from the trim, (see FIG. C). Select proper lamp (see lamp maximum wattage label inside of the housing). DO NOT EXCEED MAXIMUM WATTAGE for the lamp shown on the label.
- 2). Replace the lens holder into the lamp cavity by pushing upward until the pressure clips will hold it in place, (see FIG. C and FIG. D).

