

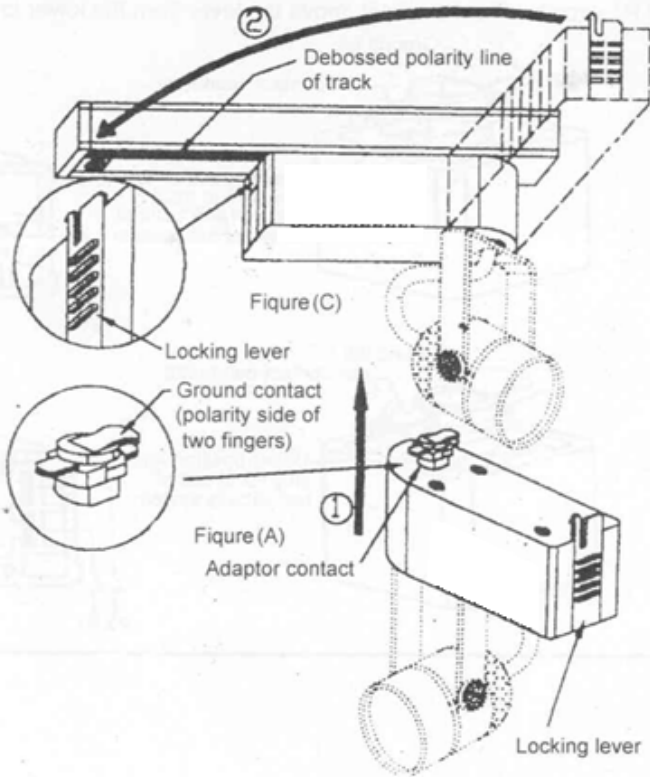
IMPORTANT SAFETY INSTRUCTIONS FOR TRACK LIGHTING

CAUTION: The maximum electrical capacity for Track is 20 Amps per circuit for permanent installation to an outlet box or 10 Amps if the Cord and plug connector is used to connect the track to a wall outlet. When installing track in an apartment or home, do not exceed the capacity of your house circuits, which are usually 120V, 15A. Check your fuses and circuits carefully before installing. Then, add the wattages of all the lights and appliances presently attached to the circuit. EXAMPLE:

3*100W BULBS=300 WATTS
 2*75W BULBS=150 WATTS
 1*RADIO =450 WATTS
 TOTAL: 900 WATTS

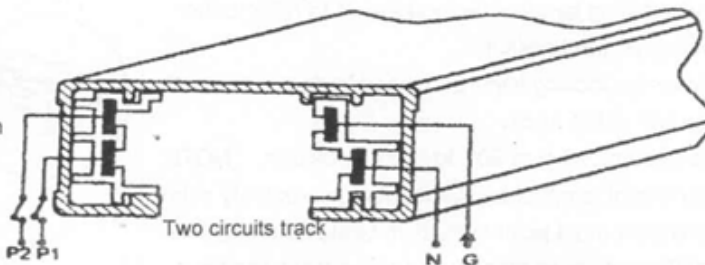
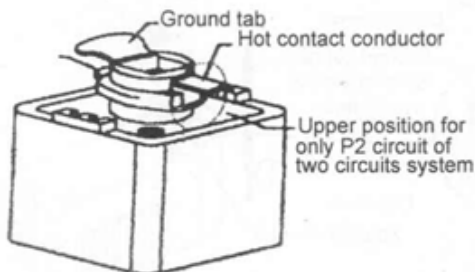
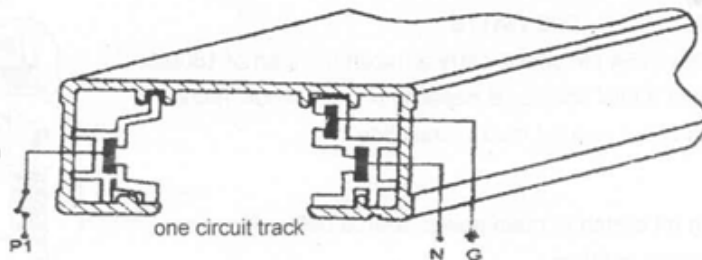
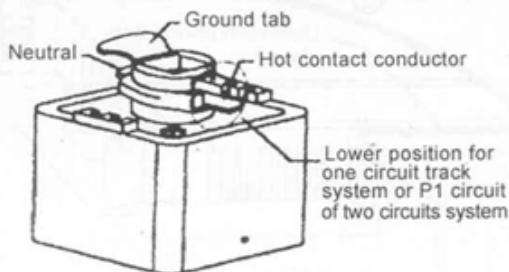
Since a 120V, 15A circuit will carry a maximum load of 1800W, you still have 900W additional capacity on this circuit, more than enough for a normal track installation.

1. Turn off switch at main power source before installing any track or fitting.
2. Before installing lampholder, make sure to refer to the instruction on the backside.
3. Pull down the locking lever and insert "Adaptor contact" into the slot in the track.
4. Rotate adaptor 1/4 turn 90° to locked position. NOTE: Polarity line of lampholder (Grounding tab, polarity side of two fingers) must point to track debossed polarity line so that the debossed polarity line of the track can be aligned with the polarity line (side) of adaptor.
5. To remove, depress the locking lever and turn 90°



CAUTION: Before installing track head, make sure the hot contact conductor is on the right position.

1. To use track head on one circuit track system, the hot contact conductor at the top of track head must always be in the lower position. To move the lever from the upper to the lower position, simply push lever down.
2. Two circuits track system is designed for use when two separately controlled circuits are needed on one section of track. Each circuit is rated for 2400 watts and will allow you to control two individual sets of fixtures.
3. To use track head on two circuits track system, the hot contact conductor at the top of track head should be in lower position for P1 circuit. For P2 circuit, move the lever from the lower to the upper position.



SAVE THESE INSTRUCTIONS