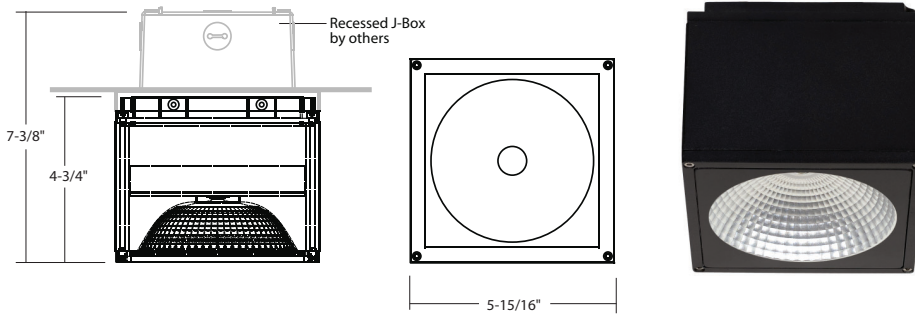


# DLQ360 : 6" SQUARE

CEILING DOWNLIGHT (IP65) 1000LM-2600LM (10W-30W)



- Energy efficient, low glare LED Chip- On-Board light engine
- Emergency back up available
- 5-Year Limited Warranty
- Exclusive Wall Wash Optics
- Integral J-Box Option
- IK08 Rated

## ORDERING : DLQ360W-L15-B10UE-DUN-EMAC-T30-FR

[Click for Full Specification Details](#)

### DLQ360

Fixture	Finish	Lumen	Optics	Control	Emergency Options	LED	Options
<b>Finish</b>			<b>Optics</b>	<b>Control</b>		<b>LED</b>	
White (RAL 9003) <b>W</b>			<i>Standard Beams</i>	Non-Dimming (120V)	<b>Blank</b>	4000K (90 CRI)	<b>Blank</b>
Silver (RAL 7037) <b>S</b>			Wide Flood <b>Blank</b>	TRIAC/ELV Dimming (120V)	<b>-DIN</b>	2700K (90 CRI)	<b>-T27</b>
Bronze (RAL 8019) <b>BZ</b>			Narrow Spot <b>-B10</b>	0-10V Dimming (120V/277V)	<b>UE-D10</b>	2700K (97 CRI)	<b>-T27-C97<sup>2</sup></b>
Black (RAL 9005) <b>B</b>			Spot <b>-B20</b>	UniDim™ 0-10V, TRIAC/ELV Dimming (120V/277V)	<b>UE-DUN</b>	3000K (90 CRI)	<b>-T30</b>
Light Silver (RAL 7036) <b>LS<sup>1</sup></b>			Flood <b>-B45</b>	1%, 0-10V Dimming (120V/277V)	<b>UE-D10P1</b>	3000K (97 CRI)	<b>-T30-C97<sup>2</sup></b>
Dark Grey (RAL 7015) <b>DG<sup>1</sup></b>			<i>CleanBeam™ Option</i>	0-10V Dimming (347V)	<b>-347-D10<sup>4</sup></b>	3500K (90 CRI)	<b>-T35</b>
Metallic Gold (RAL 1001) <b>MG<sup>1</sup></b>			10° Pencil Beam <b>-CB10</b>	UniSense - Integral Motion/ Photosensor (120V)	<b>-SUN-INT<sup>7</sup></b>	5000K (80 CRI)	<b>-T50</b>
Metallic Black (RAL 7021) <b>MB<sup>1</sup></b>			<i>Specialty Beams</i>	UniSense - Integral Motion/ Photosensor (120V/277V)	<b>-SUN-INT-1227<sup>7</sup></b>	RGB+W Control (24VDC)	<b>-RGBWV24<sup>3</sup></b>
<b>Lumen</b>			Wall Wash <b>-BWW</b>	Casambi Wireless Dimming (120V/277V)	<b>-DCSM<sup>2</sup></b>	<b>Options</b>	
1000lm (10W) <b>Blank</b>			Asymmetric (30° x 60°) <b>-B3060<sup>2</sup></b>	BubblyNet Wireless System (120V/277V)	<b>-DBNT<sup>2</sup></b>	None <b>Blank</b>	
1500lm (15W) <b>-L15</b>				SimplySnap Wireless System (120V/277V)	<b>-DSYN<sup>8</sup></b>	Frosted Lens <b>-FR</b>	
2200lm (22W) <b>-L20</b>				<b>Emergency Options</b>		Integral Junction Box <b>-JB</b>	
2600lm (30W) <b>-L26</b>				None <b>Blank</b>		Hex-Cell Louver <b>-LVR<sup>5</sup></b>	
				Full Power Emergency Inverter <b>-EMAC</b>		Photocell Sensor <b>-SDL<sup>2</sup></b>	
						Surge Protector <b>-SRG</b>	
						Cold Weather <b>-CW<sup>6</sup></b>	
						Marine Grade Finish <b>-MGD<sup>1</sup></b>	

<sup>1</sup> Special Order Finish. Minimum order quantity (MOQ) applies. Orders less than MOQ are subject to a special paint set-up fee for the quantity ordered. Extended lead times may apply. Consult Factory.  
<sup>2</sup> Special Order. Minimum order, extended lead time may apply. Consult factory.  
<sup>3</sup> Remote Power Supplies and Control Gear Required, Available with Wireless Bluetooth or DMX Control. Consult Factory for Details.  
<sup>4</sup> Not compatible with 1000lm selection; use with 1500lm and above.  
<sup>5</sup> (-LVR) Hex-Cell Louver is not compatible with CleanBeam Option (-CB10).  
<sup>6</sup> Starting temperature -30°C/-22°F; see pg. 5.  
<sup>7</sup> (-SUN-INT) sensor integrated into the reflector. Consult Factory for layout assistance or alternate sensor mounting.  
<sup>8</sup> Special Order. Sent with surface mount JBOX to allow for direct-conduit entry.

Custom RAL Color: Please note that we appreciate custom finishes. Custom finishes are subject to a special paint setup fee for the quantity ordered. Extended lead times may apply. Consult Factory.