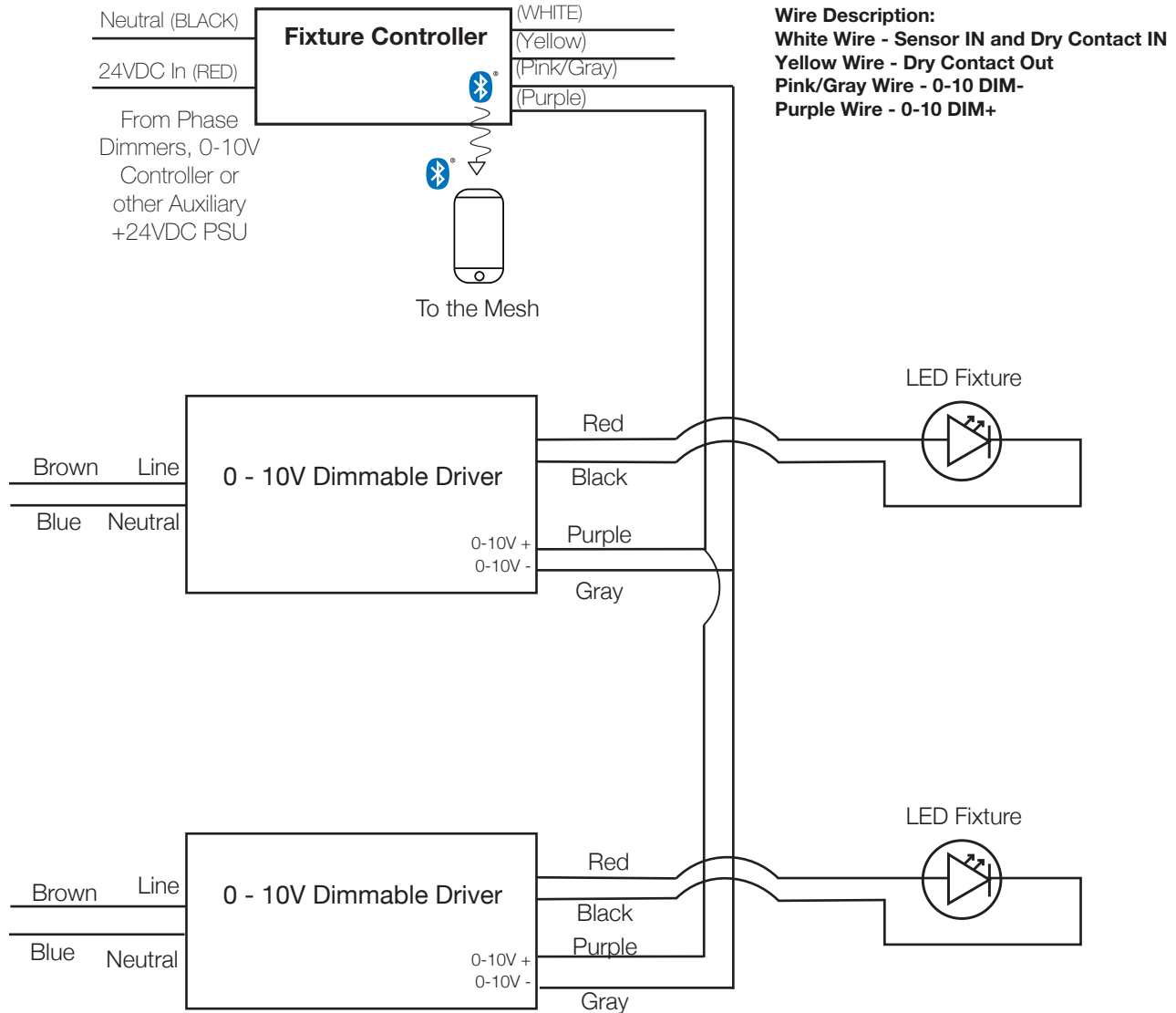


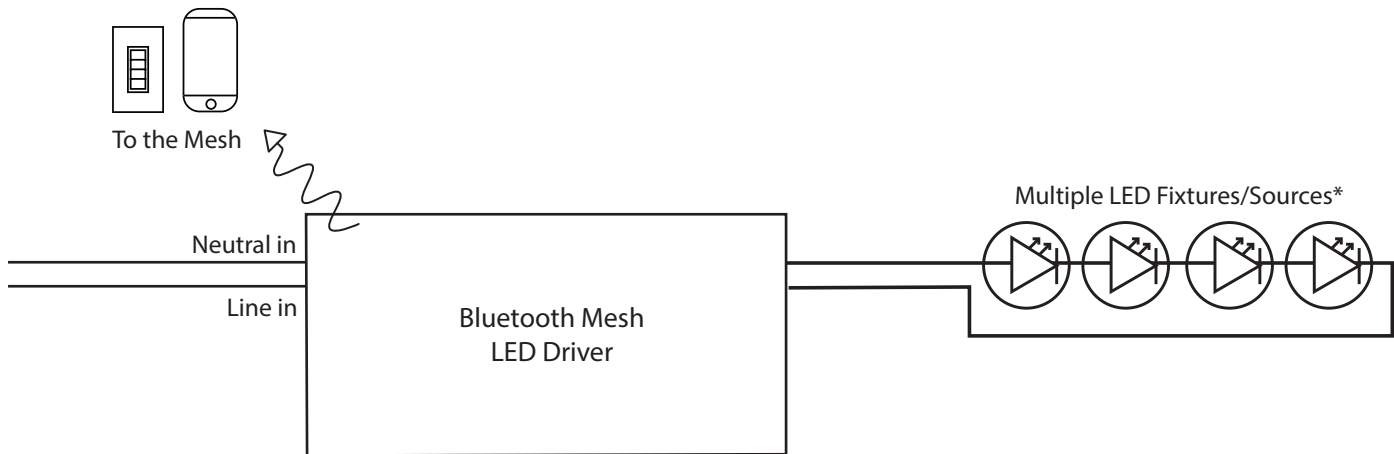
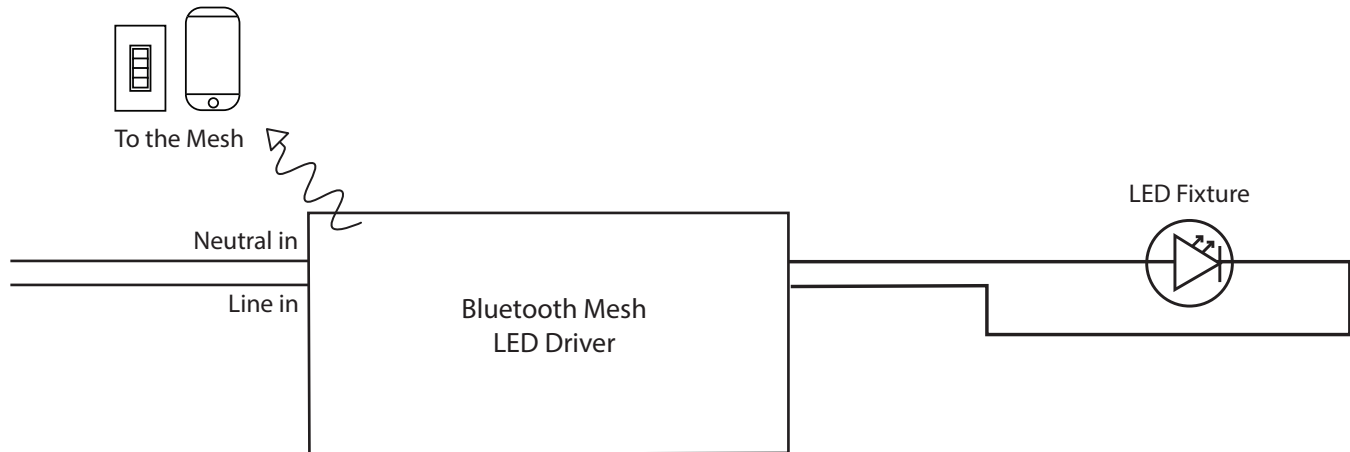


# BUBBLYNET CONTROL OPTION

## Wiring Diagram Fixture Controller (EXTERNAL)



Wiring Diagram 1000mA Max, LED Driver and LED Fixture (INTEGRAL)  powered by BubblyNet.



For best results, drivers need to be installed within 30 feet of the closest device within the Bluetooth Mesh network. Signal strength significantly decreases in presence of metal barriers such as when devices are enclosed in metal boxes.