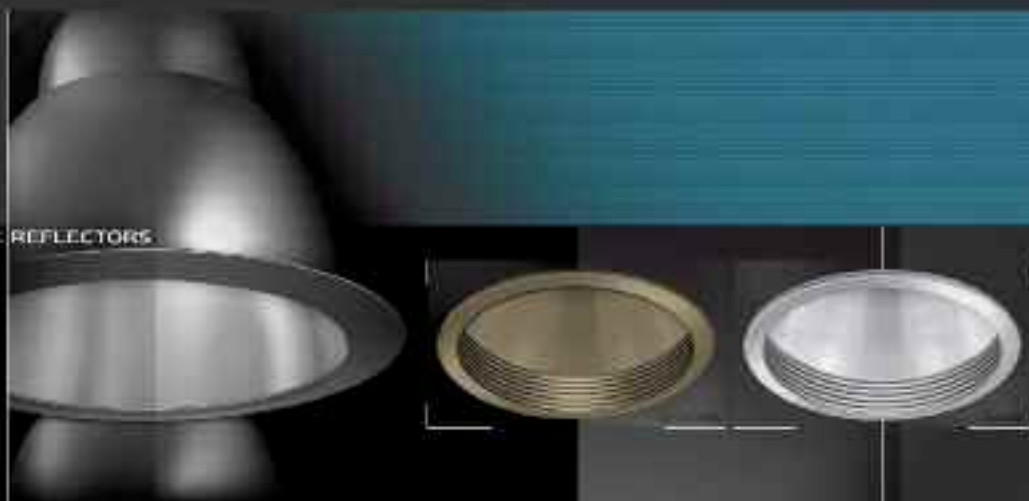


# LITON<sup>®</sup>

L I G H T I N G

IRIDESCENCE FREE HIGHZAK REFLECTORS



COMPACT FLUORESCENT SERIES



environmentally friendly



**ENERGY  
EFFICIENT  
LIGHTING**  
SOLUTION



**LITON'S** COMPACT FLUORESCENT RECESSED LIGHTING SERIES IS **TITLE 24 COMPLIANT**.  
 TITLE 24 COMPLIANT STATES INCLUDE CALIFORNIA, ARIZONA, WASHINGTON, COLORADO, AND TEXAS,  
 WITH ADDITIONAL STATES TO FOLLOW.

energy efficient solution  
 energy efficient



IRIDESCENCE-FREE  
 HIGH-ZAK REFLECTOR

**ENERGY EFFICIENT**, AS WELL AS DECORATIVE, **LITON** HAS TAKEN A LEADERSHIP ROLE IN THE **COMPACT FLUORESCENT RECESSED LIGHTING** ARENA.

AT **LITON**, THE SATISFACTION OF EVERY CUSTOMER IS THE TOP MOST PRIORITY. WITH OUR LARGE INVENTORY, MOST ORDERS ARE BEING SHIPPED ON THE SAME DAY, ENSURING A QUICK DELIVERY.

### VARIOUS APPLICATIONS

**LITON** OFFERS THE **BROADEST** AND MOST VERSATILE SELECTION OF **ENERGY EFFICIENT** COMPACT FLUORESCENT RECESSED LIGHTING IN THE INDUSTRY.

COMBINED WITH A **LARGE ASSORTMENT OF TRIM STYLES**, THESE PRODUCTS CAN BE INSTALLED IN ALMOST ANY APPLICATION FROM **MALLS AND HOTELS** TO **MUSEUM AND RESTAURANTS, HOSPITALS, AIRPORTS, SCHOOLS**, AS WELL AS **RESIDENTIAL** FACILITIES.

**LITON** UTILIZES ONLY THE HIGHEST QUALITY BALLASTS, UNIVERSAL VOLTAGE 120V-277V FOR COMMERCIAL LIGHTING, AND 120V [ALSO AVAILABLE IN 277V] FOR BOTH LIGHT-COMMERCIAL AND GENERAL PURPOSE LIGHTING APPLICATIONS.



ADVANCE



ROBERTSON



UNIVERSAL



EMERGENCY W/ REMOTE SWITCH

# LITON LIGHTING DELIVERS

## ONLY THE BEST COMPACT FLUORESCENT LIGHTING



## table of contents

### 3" AND 4" GENERAL PURPOSE

3" RECESSED HOUSINGS AND TRIMS	5
4" RECESSED HOUSINGS AND TRIMS	6-9

### 5" GENERAL PURPOSE

RECESSED HOUSINGS	10
RECESSED TRIMS	11

### 6" GENERAL PURPOSE

SHALLOW AIRTIGHT RECESSED HOUSINGS	12
SHALLOW AIRTIGHT RECESSED TRIMS	13
1- LAMP RECESSED HOUSINGS AND TRIMS	14-16
2- LAMP RECESSED HOUSINGS AND TRIMS	17-18

### 6" GENERAL PURPOSE

SLOPED CEILING RECESSED HOUSINGS	19
SLOPED CEILING RECESSED TRIMS	19

### 6" LIGHT COMMERCIAL

LIGHT COMMERCIAL VERTICAL RECESSED HOUSINGS	22
LIGHT COMMERCIAL VERTICAL RECESSED TRIMS	23
LIGHT COMMERCIAL HORIZONTAL RECESSED HOUSINGS	24
LIGHT COMMERCIAL HORIZONTAL RECESSED TRIMS	25

### 4" ARCHITECTURAL • VERTICAL

VERTICAL RECESSED HOUSINGS	28
VERTICAL RECESSED TRIMS	29

### 6" ARCHITECTURAL • VERTICAL

VERTICAL RECESSED HOUSINGS	30
VERTICAL RECESSED TRIMS	31

### 8" ARCHITECTURAL • VERTICAL

VERTICAL RECESSED HOUSINGS	32
VERTICAL RECESSED TRIMS	33

### 10" ARCHITECTURAL • VERTICAL

VERTICAL RECESSED HOUSINGS	34
VERTICAL RECESSED TRIMS	35

### 6" ARCHITECTURAL • HORIZONTAL

HORIZONTAL RECESSED HOUSINGS	36
HORIZONTAL RECESSED TRIMS	37
HORIZONTAL RECESSED WALL WASH HOUSINGS	38
HORIZONTAL RECESSED WALL WASH TRIMS	39

### 8" ARCHITECTURAL • HORIZONTAL

HORIZONTAL SHALLOW RECESSED HOUSINGS	40
HORIZONTAL SHALLOW RECESSED TRIMS	41
HORIZONTAL RECESSED HOUSINGS	42
HORIZONTAL RECESSED TRIMS	43
HORIZONTAL RECESSED WALL WASH HOUSINGS	44
HORIZONTAL RECESSED WALL WASH TRIMS	45

### FIRE BARRIER FOR RECESSED LIGHTING INDEX

46
47

THE **CONTEMPORARY LOOK** OF OUR GLASS DECO TRIMS SUGGEST A SUBTLE, YET DEFINED **DESIGN STATEMENT.**



GLASS | DECO



## ARCHITECTURAL COMPACT FLUORESCENT TRIM SERIES

# color codes

OUR FACTORY STANDARD FINISHES ARE LISTED NEXT TO EACH TRIM'S PICTURE, HOWEVER, TO KEEP UP WITH DEMANDS FOR CUSTOM FINISHES, WE ARE PROUD TO OFFER MORE CUSTOM COLOR COMBINATIONS\* CONSISTING OF THE LISTED COLORS ON THE CHART BELOW. MIX AND MATCH COLORS TO FURTHER CUSTOMIZE AND ENHANCE ANY INTERIOR DESIGN. (CONSULT FACTORY ON A CUSTOM COLOR AVAILABILITY FOR YOUR TRIM STYLE OF CHOICE PRIOR TO ORDERING)

### Trims | Color Codes | General Purpose

#### Reflector Color Codes:

W : White  
B : Black  
S : Satin Haze  
CO : Copper  
MO : Mocha  
G : Champagne Gold  
C : Clear

#### Baffle Color Codes:

W : White  
B : Black  
N : Natural (Raw) Metal  
CO : Copper  
MO : Mocha

#### Trim Ring Codes:

W : White  
B : Black  
N : Natural (Raw) Metal  
S : Satin Haze  
CO : Copper  
MO : Mocha  
G : Gold  
C : Polished

#### Glass/Lens Color Codes:

-AM : Amber  
-FR : Frosted  
-BL : Blue

\*) Additional charges may apply. Consult factory.

When ordering a combination of finishes, specify color codes in the following order: Reflector/Baffle's first, then Trim Ring's, followed by Glass/Lens' color codes.

### Trims | Color Codes | Light Commercial and Architectural

#### Reflector Color Codes:

W : White  
B : Black  
S : Satin Haze  
CO : Copper  
MO : Mocha  
G : Champagne Gold  
C : Clear

#### Baffle Color Codes:

W : White  
B : Black  
N : Natural (Raw) Metal  
CO : Copper  
MO : Mocha

#### Self-Flanged Ring Codes:

WF : White  
BF : Black  
NF : Natural (Raw) Metal  
SF : Satin Haze  
COF : Copper  
MOF : Mocha  
GF : Gold  
CF : Polished

#### Glass/Lens Color Codes:

-AM : Amber  
-FR : Frosted  
-BL : Blue

\*) Additional charges may apply. Consult factory.

When ordering a combination of finishes, specify color codes in the following order: Reflector/Baffle's first, then Trim Ring's, followed by Glass/Lens' color codes.

# lamp chart

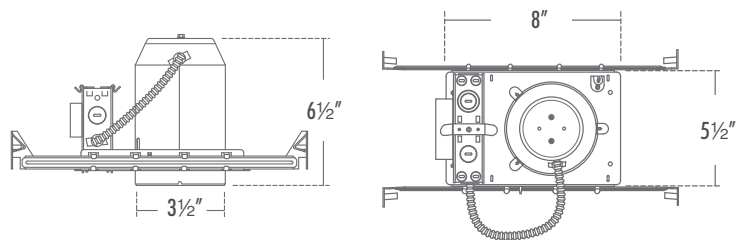
	DESCRIPTION	WATTAGE	BASE TYPE	ANSI BALLAST TYPE	LUMEN		AVERAGE LIFE	MIN. STARTING TEMP	
					INITIAL	MEAN		°F	°C
	DOUBLE BIAx PLUG IN 2-PIN DOUBLE TWIN-TUBE	13W	GX23-2	MAGNETIC BALLAST CLASS P	810	685	10,000	32°F	0°C
	DOUBLE BIAx PLUG IN 2-PIN DOUBLE TWIN-TUBE	13W	G24d-1	MAGNETIC BALLAST CLASS P	900	765	10,000	5°F	-15°C
	DOUBLE BIAx PLUG IN 4-PIN DOUBLE TWIN-TUBE	13W	G24q-1	ELECTRONIC BALLAST CLASS P	900	765	10,000	32°F	0°C
	DOUBLE BIAx PLUG IN 4-PIN DOUBLE TWIN-TUBE	18W	G24q-2	ELECTRONIC BALLAST CLASS P	1150	980	10,000	32°F	0°C
	DOUBLE BIAx PLUG IN 4-PIN DOUBLE TWIN-TUBE	26W	G24q-3	ELECTRONIC BALLAST CLASS P	1710	1460	10,000	32°F	0°C
	TRIPLE BIAx PLUG IN 4-PIN TRIPLE TWIN-TUBE	13W	GX24q-1	ELECTRONIC BALLAST CLASS P	900	765	10,000	32°F	0°C
	SYLVANIA TRIPLE BIAx PLUG-IN 4-PIN TRIPLE TWIN-TUBE	13W	GX24q-1	ELECTRONIC BALLAST CLASS P	900	774	10,000	4°F	-17°C
	TRIPLE BIAx PLUG IN 4-PIN TRIPLE TWIN-TUBE	18W	GX24q-2	ELECTRONIC BALLAST CLASS P	1200	1020	10,000	32°F	0°C
	SYLVANIA TRIPLE BIAx PLUG-IN 4-PIN TRIPLE TWIN-TUBE	18W	GX24q-2	ELECTRONIC BALLAST CLASS P	1200	1032	10,000	4°F	-17°C
	TRIPLE BIAx PLUG IN 4-PIN TRIPLE TWIN-TUBE	26W	GX24q-3	ELECTRONIC BALLAST CLASS P	1800	1530	10,000	32°F	0°C
	TRIPLE BIAx PLUG IN 4-PIN TRIPLE TWIN-TUBE	32W	GX24q-3	ELECTRONIC BALLAST CLASS P	2200	1870	10,000	32°F	0°C
	TRIPLE BIAx PLUG IN 4-PIN TRIPLE TWIN-TUBE	42W	GX24q-4	ELECTRONIC BALLAST CLASS P	3210	2690	12,000		
	HIGH OUTPUT BIAx PLUG IN 4-PIN TRIPLE TWIN-TUBE	57W	GX24q-5	ELECTRONIC BALLAST CLASS P	4320	3720	12,000		
	HIGH OUTPUT BIAx PLUG IN 4-PIN TRIPLE TWIN-TUBE	70W	GX24q-6	ELECTRONIC BALLAST CLASS P	5200	4470	12,000		

**THREE-INCH** MINIATURE • 1-LAMP HOUSINGS



**LH33PE** [NEW CONSTRUCTION 13W ELECTRONIC]

3-INCH RECESSED COMPACT FLUORESCENT HOUSING



**NEW CONSTRUCTION**

CATALOG#	LAMPS	VOLT/BALLAST	DESCRIPTION
LH33PAE	(1)13W	120V/ELECTRONIC	NEW CONSTRUCTION AIRTIGHT
LH33PICA	(1)13W	120V/ELECTRONIC	NEW CONSTRUCTION IC-AIRTIGHT

ADD THE FOLLOWING CODES AFTER CATALOG# AS REQUIRED.  
 -27 (277 VOLT)      -EM (EMERGENCY)

VERTICAL  
GENERAL PURPOSE

1-LAMP



**3" MINIATURE RECESSED • ENERGY SAVING AND DESIGN SOLUTION**

FOR THOSE HARD TO LIGHT SPACES, LITON HAS A NEW 3" NON-IC AND ICA COMPACT FLUORESCENT RECESSED DOWN-LIGHTS. THIS IS A MINIATURE ENERGY SAVING SOLUTION TO COMPLY WITH THOSE LOW WATTS PER SQUARE FOOT REQUIREMENTS, AND PROVIDE A COMPLEMENTARY DESIGN. FOR DAMP OR WET LOCATIONS.

**3" MINIATURE TRIMS**

**DEEP REFLECTOR**

LR331W      LR331SN  
**LR331C**

4 1/4" O.D.      PL LAMP



IRIDESCENCE-FREE



FROSTED LENS

**SHOWER/DECO**

**LR332W**      LR332N  
**LR332C**

PL LAMP      4 1/4" O.D.



**DEEP REFLECTOR**

LR331W      LR331SN  
**LR331C**

4 1/4" O.D.      PL LAMP



IRIDESCENCE-FREE



FROSTED LENS

**SHOWER/DECO**

**LR332W**      LR332N  
**LR332C**

PL LAMP      4 1/4" O.D.



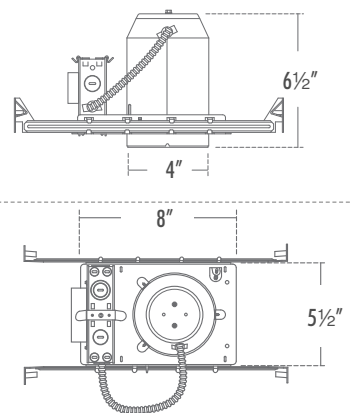
VERTICAL  
GENERAL PURPOSE

1-LAMP



**LH99P SERIES [STANDARD]**

4-INCH RECESSED COMPACT FLUORESCENT HOUSINGS AND TRIMS



**NEW CONSTRUCTION**

CATALOG#	LAMPS	VOLT/BALLAST	DESCRIPTION
LH99P	(1)13W	120V/MAGNETIC	NEW CONSTRUCTION
LH99PE	(1)13W	120V/ELECTRONIC	NEW CONSTRUCTION
LH99PICA	(1)13W	120V/ELECTRONIC	NEW CONSTRUCTION IC-AIRTIGHT
LH99PUD	(1)13W	120V-277V/DIMM.	DIMMING NEW CONSTRUCTION
LH99P-18E	(1)18W	120V/ELECTRONIC	NEW CONSTRUCTION
LH99P-18UD	(1)18W	120V-277V/DIMM.	DIMMING NEW CONSTRUCTION
LH99P-26E	(1)26W	120V/ELECTRONIC	NEW CONSTRUCTION
LH99P-26UD	(1)26W	120V-277V/DIMM.	DIMMING NEW CONSTRUCTION

ADD THE FOLLOWING CODES AFTER CATALOG# AS REQUIRED.  
**-27** (277 VOLT)    **-EM** (EMERGENCY)

**REMODEL**

CATALOG#	LAMPS	VOLT/BALLAST	DESCRIPTION
LH99PR	(1)13W	120V/MAGNETIC	REMODEL
LH99PRE	(1)13W	120V/ELECTRONIC	REMODEL
LH99PRICA	(1)13W	120V/ELECTRONIC	REMODEL IC-AIRTIGHT

ADD THE FOLLOWING CODES AFTER CATALOG# AS REQUIRED.  
**-27** (277 VOLT)    **-EM** (EMERGENCY)

**\*\*\*\*\* NEW MULTI-WATT HOUSING**

**NEW CONSTRUCTION**

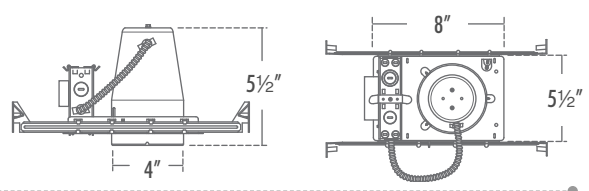
CATALOG#	LAMPS	VOLT/BALLAST	DESCRIPTION
LH99PICA-1326UE	(1)13/18/26W	120V-277V/ELECT.	IC-AIRTIGHT MULTI-WATT

ADD THE FOLLOWING CODE(S) AFTER CATALOG# AS REQUIRED.  
**-EM** (EMERGENCY)

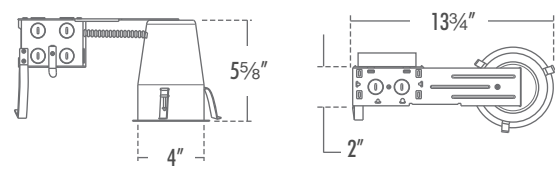


**LSH99P SERIES [SHALLOW]**

4-INCH RECESSED COMPACT FLUORESCENT **SHALLOW** HOUSINGS AND TRIMS



**REMODEL**



**NEW CONSTRUCTION**

CATALOG#	LAMPS	VOLT/BALLAST	DESCRIPTION
LSH99P	(1)13W	120V/MAGNETIC	SHALLOW NEW CONSTRUCTION
LSH99PE	(1)13W	120V/ELECTRONIC	SHALLOW NEW CONSTRUCTION
LSH99PICA	(1)13W	120V/ELECTRONIC	SHALLOW IC-AIRTIGHT

ADD THE FOLLOWING CODES AFTER CATALOG# AS REQUIRED.  
**-27** (277 VOLT)    **-EM** (EMERGENCY)

**REMODEL**

CATALOG#	LAMPS	VOLT/BALLAST	DESCRIPTION
LSH99PR	(1)13W	120V/MAGNETIC	SHALLOW REMODEL
LSH99PRE	(1)13W	120V/ELECTRONIC	SHALLOW REMODEL
LSH99PRICA	(1)13W	120V/ELECTRONIC	SHALLOW REMODEL IC-AIRTIGHT

ADD THE FOLLOWING CODES AFTER CATALOG# AS REQUIRED.  
**-27** (277 VOLT)    **-EM** (EMERGENCY)

LITON

MULTI-WATT

FOUR-INCH VERTICAL • 1-LAMP

DEEP PHENOLIC BAFFLE

WHEN A SMALLER SIZED TRIM IS DESIRED TO CREATE A UNIQUE LOOK, LITON'S EVER GROWING COLLECTION OF 4" LINE VOLTAGE TRIM STYLES IS THE ULTIMATE SOURCE. OUR DEEP PHENOLIC BAFFLE STYLE IS AVAILABLE IN STANDARD APERTURE AND NARROW APERTURE.



DEEP PHENOLIC BAFFLE • USE WITH LH99P ONLY

DEEP BAFFLE [NARROW APERTURE]

<b>LR944W</b>	<b>LR944B</b>
<b>LR944WB</b>	<b>LR944BB</b>

[1]13W-26W PL 4¾" O.D.



DEEP PHENOLIC BAFFLE • USE WITH LH99P ONLY

DEEP BAFFLE

<b>LR994W</b>	<b>LR994B</b>
<b>LR994WB</b>	<b>LR994BB</b>

[1]13W-26W PL 4¾" O.D.



HIGH QUALITY BAFFLE TRIMS AVAILABLE FOR 4", 5" AND 6" APPLICATIONS IN BOTH STANDARD AND DESIGNER FINISHES

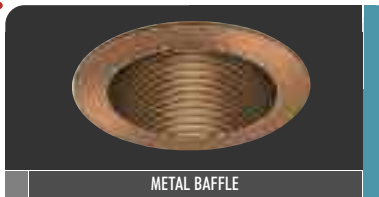
METAL BAFFLE

<b>LRM993MO</b>	<b>LRM993N</b>
	<b>LRM993CO</b>

4¾" O.D. PL LAMP



METAL BAFFLE



METAL BAFFLE

METAL BAFFLE

<b>LRM993MO</b>	<b>LRM993N</b>
	<b>LRM993CO</b>

PL LAMP 4¾" O.D.

REFLECTOR

<b>LR999W</b>	<b>LR999G</b>
<b>LR999B</b>	<b>LR999N</b>
<b>LR999C</b>	<b>LR999CO</b>

4¾" O.D. PL LAMP



LOW IRIDESCENCE



LOW IRIDESCENCE

REFLECTOR

<b>LR999W</b>	<b>LR999G</b>
<b>LR999B</b>	<b>LR999N</b>
<b>LR999C</b>	<b>LR999CO</b>

PL LAMP 4¾" O.D.

DEEP REFLECTOR



DEEP REFLECTOR FOR USE WITH LH99P ONLY

DEEP REFLECTOR

<b>LR909W</b>	<b>LR909G</b>
<b>LR909B</b>	<b>LR909CC</b>
<b>LR909C</b>	<b>LR909GG</b>

[1]13W-26W PL 4¾" O.D.

OUR NEW AND IMPROVED DEEP HIGH-ZAK REFLECTOR TRIM BELOW DELIVER AN EXCEPTIONAL PERFORMANCE WHILE KEEPING ENERGY COST DOWN.

THIS REFLECTOR TRIM IS DESIGNED TO BE USED WITH OUR LH99P HOUSING ONLY. IT IS NOT FOR USE WITH OUR 4" SHALLOW HOUSING [LSH99P]



OUR HIGH QUALITY IRIDESCENCE-FREE HIGH-ZAK DEEP REFLECTOR TRIM [LR909]



**OPEN PYRASHIELD DECO**

LR963W-FR	<b>LR963CN-FR</b>
LR963CB-FR	LR963N-FR
LR963CO-FR	LR963CC-FR
4 3/4" O.D.	PL LAMP



**DOMESHIELD DECO**

<b>LR946C-FR</b>	LR946CN-FR
LR946CB-FR	LR946N-FR
LR946CO-FR	LR946CC-FR
PL LAMP	4 3/4" O.D.

**PYRASHIELD DECO**

LR953W-FR	<b>LR953CN-FR</b>
LR953CB-FR	LR953N-FR
LR953CO-FR	LR953CC-FR
4 3/4" O.D.	PL LAMP



**GLASS PANEL DECO**

LR942W-FR	LR942MO-FR
LR942B-FR	LR942N-FR
LR942C-FR	<b>LR942CO-FR</b>
PL LAMP	4 3/4" O.D.

**WALL WASH [REFLECTOR]**

LRS935W	LRS935G
LRS935B	LRS935NW
<b>LRS935C</b>	LRS935COW
4 3/4" O.D.	PL LAMP



**PYRASHIELD DECO**

LR954W-FR	<b>LR954CN-FR</b>
LR954CB-FR	LR954N-FR
LR954CO-FR	LR954CC-FR
PL LAMP	4 3/4" O.D.

**4" COMPACT FLUORESCENT TRIMS**

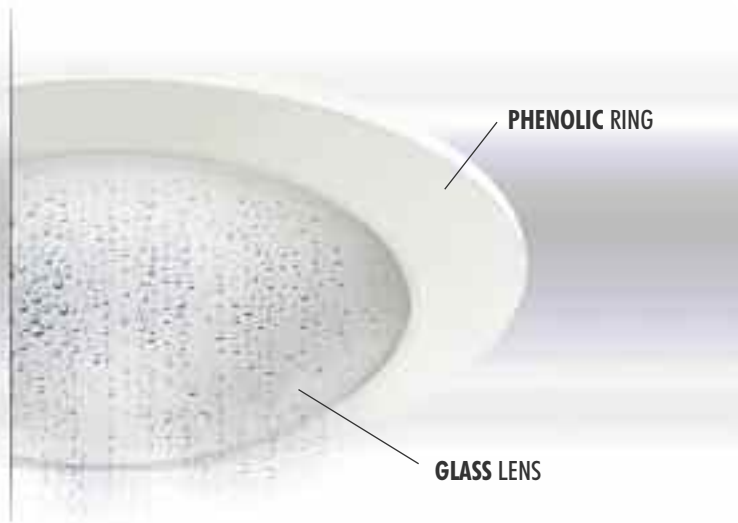
LITON'S 4" COMPACT FLUORESCENT TRIM SERIES HAS BEEN DESIGNED TO DELIVER THE BEST POSSIBLE PERFORMANCE FROM EACH TRIM STYLE. THIS INCLUDES ENSURING THE LEAST AMOUNT OF LIGHT LEAKAGE AND DURABILITY OF EACH TRIM AGAINST NORMAL WEAR AND TEAR.





**PHENOLIC RING FOR WET LOCATION**

LITON'S 4" COMPACT FLUORESCENT TRIM SERIES INCLUDES THESE DAMP/WET LOCATION SHOWER/DECO STYLES. METAL RINGS AVAILABLE IN STANDARD AND DESIGNER FINISHES, WHILE PHENOLIC RING AVAILABLE IN WHITE ONLY.



LITON

--- WITH REFLECTOR ---

--- NO REFLECTOR ---

SHOWER / DECO [REFLECTOR]

<b>LRS922W</b>	<b>LRS922N</b>
<b>LRS922B</b>	<b>LRS922CO</b>
<b>LRS922C</b>	<b>LRS922PW*</b>
4 3/4" O.D.	PL LAMP FROSTED LENS



SHOWER / DECO

<b>LR922W</b>	<b>LR922N</b>
<b>LR922B</b>	<b>LR922CO</b>
<b>LR922C</b>	<b>LR922PW*</b>
PL LAMP FROSTED LENS	4 3/4" O.D.

SHOWER / DECO [REFLECTOR]

<b>LRS923W</b>	<b>LRS923N</b>
<b>LRS923B</b>	<b>LRS923CO</b>
<b>LRS923C</b>	<b>LRS923PW*</b>
4 3/4" O.D.	PL LAMP FRESNEL LENS



SHOWER / DECO [NO REFLECTOR]

<b>LR923W</b>	<b>LR923N</b>
<b>LR923B</b>	<b>LR923CO</b>
<b>LR923C</b>	<b>LR923PW*</b>
PL LAMP FRESNEL LENS	4 3/4" O.D.

SHOWER / DECO [REFLECTOR]

<b>LRS924W</b>	<b>LRS924N</b>
<b>LRS924MO</b>	<b>LRS924CO</b>
<b>LRS924C</b>	<b>LRS924PW*</b>
4 3/4" O.D.	PL LAMP FROSTED LENS



SHOWER / DECO [NO REFLECTOR]

<b>LR924W</b>	<b>LR924N</b>
<b>LR924B</b>	<b>LR924CO</b>
<b>LR924C</b>	<b>LR924PW*</b>
PL LAMP FROSTED LENS	4 3/4" O.D.

SHOWER / DECO [REFLECTOR]

<b>LRS925W</b>	<b>LRS925N</b>
<b>LRS925B</b>	<b>LRS925CO</b>
<b>LRS925C</b>	<b>LRS925PW*</b>
4 3/4" O.D.	PL LAMP PINHOLE GLASS



SHOWER / DECO [NO REFLECTOR]

<b>LR925W</b>	<b>LR925N</b>
<b>LR925B</b>	<b>LR925CO</b>
<b>LR925C</b>	<b>LR925PW*</b>
PL LAMP PINHOLE GLASS	4 3/4" O.D.

SHOWER / DECO [REFLECTOR]

<b>LRS926W</b>	<b>LRS926N</b>
<b>LRS926B</b>	<b>LRS926CO</b>
<b>LRS926C</b>	<b>LRS926PW*</b>
4 3/4" O.D.	PL LAMP DROP OPAL



SHOWER / DECO [NO REFLECTOR]

<b>LR926W</b>	<b>LR926N</b>
<b>LR926B</b>	<b>LR926CO</b>
<b>LR926C</b>	<b>LR926PW*</b>
PL LAMP DROP OPAL	4 3/4" O.D.

\* PHENOLIC RING FOR WET LOCATION [SHOWER] AVAILABLE IN WHITE [PW] ONLY

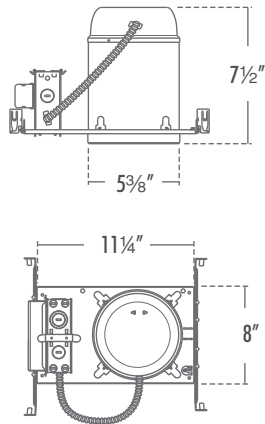
VERTICAL  
GENERAL PURPOSE

1-LAMP



**LH5113**

5-INCH RECESSED COMPACT FLUORESCENT  
**NEW CONSTRUCTION** HOUSINGS AND TRIMS



#### NEW CONSTRUCTION

CATALOG#	LAMPS	VOLT/BALLAST	DESCRIPTION
<b>LH5113</b>	(1)13W	120V/MAGNETIC	NEW CONSTRUCTION
<b>LH5113E</b>	(1)13W	120V/ELECTRONIC	NEW CONSTRUCTION
<b>LH5113ICAE</b>	(1)13W	120V/ELECTRONIC	NEW CONSTRUCTION IC-AIRTIGHT
<b>LH5118E</b>	(1)18W	120V/ELECTRONIC	NEW CONSTRUCTION
<b>LH5118ICAE</b>	(1)18W	120V/ELECTRONIC	NEW CONSTRUCTION IC-AIRTIGHT
<b>LH5118UD</b>	(1)18W	120V-277V/DIMM	<b>DIMMING</b> NEW CONSTRUCTION
<b>LH5126E</b>	(1)26W	120V/MAGNETIC	NEW CONSTRUCTION
<b>LH5126ICAE</b>	(1)26W	120V/ELECTRONIC	NEW CONSTRUCTION IC-AIRTIGHT
<b>LH5126UD</b>	(1)26W	120V-277V/DIMM	<b>DIMMING</b> NEW CONSTRUCTION
<b>LH5132E</b>	(1)32W	120V/MAGNETIC	NEW CONSTRUCTION

ADD THE FOLLOWING CODES AFTER CATALOG# AS REQUIRED.  
**-27** (277 VOLT)    **-EM** (EMERGENCY)

#### 5" GENERAL PURPOSE RECESSED HOUSING FEATURES

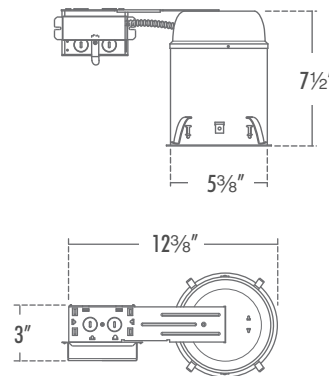
SMALLER IN SIZE BUT JUST AS **ATTRACTIVE** AND **DESIGNER FRIENDLY**, LITON 5" COMPACT FLUORESCENT VERTICAL DOWNLIGHTS SERIES HAS A STYLE OF ITS VERY OWN... WITH MANY DIFFERENT LAMP WATTAGES TO CHOOSE FROM AS WELL AS A LARGE ARRAY OF TRIMS, THE ENERGY EFFICIENT COMPACT FLUORESCENT HOUSING WITH A FIVE INCH APERTURE IS BOTH **CLEAN** AND **FUNCTIONAL**. OUR 5" VERTICAL COMPACT FLUORESCENT TRIMS ADD A NEW DESIGN ELEMENT WITH VARYING POSSIBILITIES.

WHEN A NEW DESIGN ELEMENT IS NEEDED, LITON 5" COMPACT FLUORESCENT VERTICAL DOWNLIGHTS SERIES ALLOW THE DESIGNER TO **OBTAIN A UNIQUE SIGNATURE LOOK**.



**LH5113R**

5-INCH RECESSED COMPACT FLUORESCENT  
**REMODEL** HOUSINGS AND TRIMS



#### REMODEL

CATALOG#	LAMPS	VOLT/BALLAST	DESCRIPTION
<b>LH5113R</b>	(1)13W	120V/MAGNETIC	REMODEL
<b>LH5113RE</b>	(1)13W	120V/ELECTRONIC	REMODEL
<b>LH5113R ICAE</b>	(1)13W	120V/ELECTRONIC	REMODEL IC-AIRTIGHT
<b>LH5118RE</b>	(1)18W	120V/ELECTRONIC	REMODEL
<b>LH5118R ICAE</b>	(1)18W	120V/ELECTRONIC	REMODEL IC-AIRTIGHT
<b>LH5118R UD</b>	(1)18W	120V-277V/DIMM	<b>DIMMING</b> REMODEL
<b>LH5126RE</b>	(1)26W	120V/ELECTRONIC	REMODEL
<b>LH5126R ICAE</b>	(1)26W	120V/ELECTRONIC	REMODEL IC-AIRTIGHT
<b>LH5126R UD</b>	(1)26W	120V-277V/DIMM	<b>DIMMING</b> REMODEL
<b>LH5132RE</b>	(1)32W	120V/ELECTRONIC	REMODEL

ADD THE FOLLOWING CODES AFTER CATALOG# AS REQUIRED.  
**-27** (277 VOLT)    **-EM** (EMERGENCY)

**FIVE-INCH VERTICAL • 1-LAMP**

ENHANCING THE SPACE WITHOUT AN OVERWHELMING EFFECT, LITON 5" COMPACT FLUORESCENT VERTICAL DOWNLIGHTS SERIES GIVES A CLEAN AND EFFECTIVE DESIGN ELEMENT TO ANY ROOM. THIS SERIES OFFERS LIGHTING THAT IS **VISUALLY POWERFUL** AND **UNIQUELY VERSATILE** WITH A WIDE SELECTION OF TRIMS PROVIDING THE OPTIMUM LEVEL OF **STYLE** AND **PERFORMANCE**



**REFLECTOR**

LR541W	LR541C LR541N
6½" O.D.	13W-26W PL



**BAFFLE WITH REFLECTOR**

LR546W	LR546NB
LR546B	LR546N
13W-26W PL	6½" O.D.

**DEEP METAL BAFFLE**

LR543B	LR543W
6½" O.D.	13W-26W PL



**METAL BAFFLE**

LR546W	LR546NB
LR546B	LR546N
13W-26W PL	6½" O.D.

**SHOWER / DECO**

LR531W	LR531N
6½" O.D.	13W-26W PL



**SHOWER / DECO**

LR542W	LR542CO
	LR542N
13W-26W PL	7⅝" O.D.

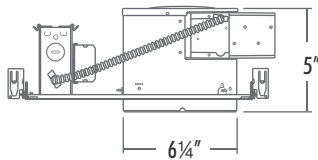
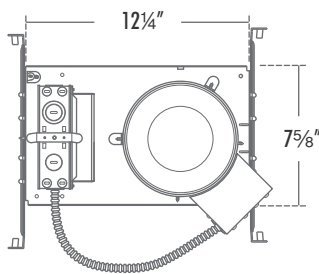


HORIZONTAL  
GENERAL PURPOSE



## LSH276A-2 SERIES

6-INCH RECESSED HORIZONTAL **SHALLOW** COMPACT FLUORESCENT **AIRTIGHT** HOUSINGS AND TRIMS



### NEW CONSTRUCTION • SHALLOW • AIRTIGHT

CATALOG#	LAMPS	VOLT/BALLAST	DESCRIPTION
<b>LSH276A-213</b>	(2)13W	120V/MAGNETIC	SHALLOW NEW CONSTRUCTION
<b>LSH276A-213E</b>	(2)13W	120V/ELECTRONIC	SHALLOW NEW CONSTRUCTION
<b>LSH276ICA-213E</b>	(2)13W	120V/ELECTRONIC	SHALLOW NEW CONSTRUCTION

<b>LSH276A-218E</b>	(2)18W	120V/ELECTRONIC	NEW CONSTRUCTION
---------------------	--------	-----------------	------------------

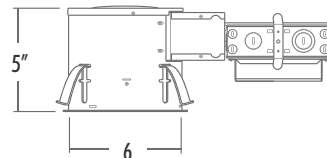
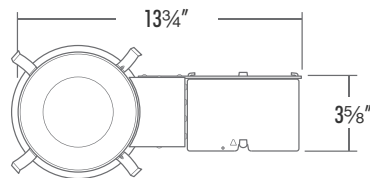
ADD THE FOLLOWING CODES AFTER CATALOG# AS REQUIRED.

**-27** (277 VOLT)      **-EM** (EMERGENCY)



## LSH276RA-2 SERIES

6-INCH RECESSED HORIZONTAL **SHALLOW REMODEL** COMPACT FLUORESCENT **AIRTIGHT** HOUSINGS AND TRIMS



### REMODEL • SHALLOW • AIRTIGHT

CATALOG#	LAMPS	VOLT/BALLAST	DESCRIPTION
<b>LSH276RA-213</b>	(2)13W	120V/MAGNETIC	SHALLOW REMODEL AIRTIGHT
<b>LSH276RA-213E</b>	(2)13W	120V/ELECTRONIC	SHALLOW REMODEL AIRTIGHT
<b>LSH276RICA-213E</b>	(2)13W	120V/ELECTRONIC	SHALLOW REMODEL AIRTIGHT

<b>LSH276RA-218E</b>	(2)18W	120V/ELECTRONIC	SHALLOW REMODEL AIRTIGHT
----------------------	--------	-----------------	--------------------------

ADD THE FOLLOWING CODES AFTER CATALOG# AS REQUIRED.

**-27** (277 VOLT)      **-EM** (EMERGENCY)

## 6" GENERAL PURPOSE HORIZONTAL **SHALLOW** AIRTIGHT RECESSED COMPACT FLUORESCENT

ENERGY EFFICIENT AS WELL AS DECORATIVE, LITON HAS TAKEN A LEADERSHIP ROLE IN THE SIX INCH COMPACT FLUORESCENT ARENA. WITH AN ASSORTMENT OF **HIGH QUALITY GLASS LENSES** [TEMPERED GLASS], COMBINED WITH BOTH REFLECTORS AND/OR BAFFLES, DESIGNERS AND ARCHITECTS WILL FIND A FULL PALLETTE TO SATISFY ANY DESIGN CHALLENGE. THESE ELEMENTS HELP **ENERGIZE** THE VISUAL ENVIRONMENT AND PROVIDE **AN IDEAL WAY** OF ENHANCING THE SPACE.

FOR **DAMP** OR **WET** LOCATIONS, OR WHEN A LIGHT SOURCE NEEDS TO BE SHIELDED, THESE TRIM STYLES ARE **THE CHOICE OF PROFESSIONALS**. BOTH **ENERGY EFFICIENT** AND **LOW MAINTENANCE** WITH MANY STYLES AND COLORS TO CHOOSE FROM...

LITON

SIX-INCH SHALLOW HORIZONTAL • AIRTIGHT

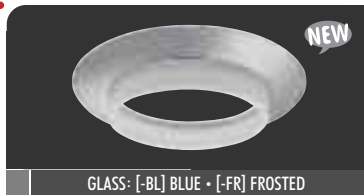
WHEN STEEL STUDS, AIR CONDITIONING DUCTS OR OTHER OBSTACLES CREATE A SPACING PROBLEM, LITON 6" COMPACT FLUORESCENT SHALLOW HOUSING IS CAPABLE OF BEING USED IN MANY SHALLOW PLENU SITUATIONS. DIFFERENT WATTAGE, STYLES, COLORS AND LAMP SOURCES MAKE THE FLUORESCENT SERIES THE MOST ECONOMICAL, YET KEEPING WITH TODAY'S DESIGN STANDARDS.



REFLECTOR

LR21C

8" O.D. TRIPLE TUBE OR DTT LAMP



RING SHAPED GLASS

LRA380W-FR LRA380N-FR  
LRA380B-FR LRA380CO-FR

TRIPLE TUBE 8" O.D. OR DTT LAMP

SHOWER / DECO [ALBALITE]

LR12MW LR12MN

LR12MC LR12MCO

LR12MG LR12PW

8" O.D. DTT LAMP ALBALITE LENS



SHOWER / DECO [FRESNEL]

LR13MW LR13MN

LR13MC LR13MCO

LR13MG LR13PW

DTT LAMP 8" O.D. FRESNEL LENS



SHOWER / DECO [FROSTED DOME]

LR14MW LR14MN

LR14MC LR14MCO

LR14MMO LR14PW

8" O.D. DTT LAMP FROSTED LENS



SHOWER / DECO [DROP OPAL]

LR16MW LR16MN

LR16MC LR16MCO

LR16MG LR16PW

DTT LAMP 8" O.D. DROP OPAL LENS

GLASS DOME REFLECTOR

LRA 377W-FR LRA 377C-FR

LRA 377B-FR LRA 377N-FR

7 1/4" O.D. TRIPLE TUBE OR DTT LAMP



GLASS DOME BAFFLE

LRA 366W-FR LRA 366N-FR

LRA 366B-FR LRA 366MO-FR

TRIPLE TUBE 7 1/4" O.D. OR DTT LAMP

GLASS OPEN DOME BAFFLE

LRA 470W-FR LRA 470NB-FR

LRA 470MO-FR LRA 470CO-FR

LRA 470N-FR LRA 470COB-FR

7 1/4" O.D. TRIPLE TUBE OR DTT LAMP



OPENDOME GLASS REFLECTOR

LRA 449C-FR LRA 449NB-FR

LRA 449CB-FR LRA 449W-FR

LRA 449N-FR LRA 449CN-FR

TRIPLE TUBE 7 1/4" O.D. OR DTT LAMP



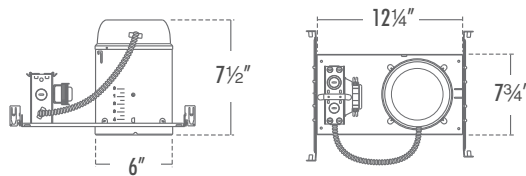
VERTICAL  
GENERAL PURPOSE

TITLE 24 COMPLIANT



### LH276 SERIES [1-LAMP]

6-INCH RECESSED VERTICAL COMPACT FLUORESCENT  
1-LAMP NEW CONSTRUCTION/IC HOUSINGS



#### NEW CONSTRUCTION

CATALOG#	LAMPS	VOLT/BALLAST	DESCRIPTION
LH276IC	(1)13W	120V/MAGNETIC	NEW CONSTRUCTION IC
LH276ICAE	(1)13W	120V/ELECTRONIC	NEW CONSTRUCTION IC-AIRTIGHT
LH276-18E	(1)18W	120V/ELECTRONIC	NEW CONSTRUCTION
LH276-26E	(1)26W	120V/ELECTRONIC	NEW CONSTRUCTION
LH276-32E	(1)32W	120V/ELECTRONIC	NEW CONSTRUCTION
LH276-18UD	(1)18W	120V-277V/DIMM	DIMMING NEW CONSTRUCTION
LH276-26UD	(1)26W	120V-277V/DIMM	DIMMING NEW CONSTRUCTION
LH276-32UD	(1)32W	120V-277V/DIMM	DIMMING NEW CONSTRUCTION
LH276ICA-18E	(1)18W	120V/ELECTRONIC	NEW CONSTRUCTION IC-AIRTIGHT
LH276ICA-26E	(1)26W	120V/ELECTRONIC	NEW CONSTRUCTION IC-AIRTIGHT
LH276ICA-32E	(1)32W	120V/ELECTRONIC	DOUBLE WALL IC-AIRTIGHT
LH276ICA-18UD	(1)18W	120V-277V/DIMM	DIMMING IC-AIRTIGHT
LH276ICA-26UD	(1)26W	120V-277V/DIMM	DIMMING IC-AIRTIGHT
LH276ICA-32UD	(1)32W	120V-277V/DIMM	DOUBLE WALL DIMMING ICA

ADD THE FOLLOWING CODES AFTER CATALOG# AS REQUIRED.

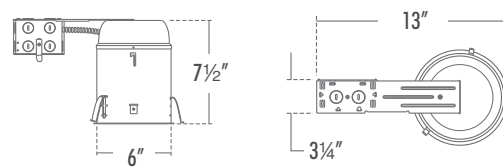
-27 (277 VOLT)    -EM (EMERGENCY)

TITLE 24 COMPLIANT



### LH276R SERIES [1-LAMP REMODEL]

6-INCH RECESSED VERTICAL COMPACT FLUORESCENT  
1-LAMP REMODEL/IC HOUSINGS



#### REMODEL

CATALOG#	LAMPS	VOLT/BALLAST	DESCRIPTION
LH276R IC	(1)13W	120V/MAGNETIC	REMODEL IC
LH276R ICAE	(1)13W	120V/ELECTRONIC	REMODEL IC-AIRTIGHT
LH276R-18E	(1)18W	120V/ELECTRONIC	REMODEL
LH276R-26E	(1)26W	120V/ELECTRONIC	REMODEL
LH276R-32E	(1)32W	120V/ELECTRONIC	REMODEL
LH276R-18UD	(1)18W	120V-277V/DIMM	DIMMING REMODEL
LH276R-26UD	(1)26W	120V-277V/DIMM	DIMMING REMODEL
LH276R-32UD	(1)32W	120V-277V/DIMM	DIMMING REMODEL
LH276R ICA-18E	(1)18W	120V/ELECTRONIC	REMODEL IC-AIRTIGHT
LH276R ICA-26E	(1)26W	120V/ELECTRONIC	REMODEL IC-AIRTIGHT
LH276R ICA-32E	(1)32W	120V/ELECTRONIC	REMODEL IC-AIRTIGHT
LH276R ICA-18UD	(1)18W	120V-277V/DIMM	DIMMING REMODEL IC-AIRTIGHT
LH276R ICA-26UD	(1)26W	120V-277V/DIMM	DIMMING REMODEL IC-AIRTIGHT
LH276R ICA-32UD	(1)32W	120V-277V/DIMM	DIMMING REMODEL IC-AIRTIGHT

ADD THE FOLLOWING CODES AFTER CATALOG# AS REQUIRED.

-27 (277 VOLT)    -EM (EMERGENCY)

1-LAMP



1-LAMP



\*\*\* NEW **MULTI-WATT** AIRTIGHT HOUSING [26W/32W/42W]

### LH276ICA-2642E [1-LAMP MULTI-WATT AIRTIGHT]

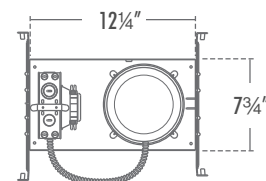
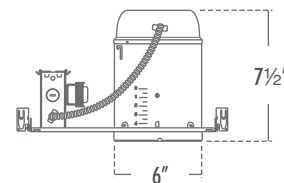
6-INCH RECESSED VERTICAL COMPACT FLUORESCENT  
1-LAMP NEW CONSTRUCTION • **MULTI-WATT** AIRTIGHT HOUSINGS

#### NEW CONSTRUCTION

CATALOG#	LAMPS	VOLT/BALLAST	DESCRIPTION
LH276ICA-2642E	(1)26/32/42W	120V/ELECTRONIC	NEW CONSTRUCTION MULTI-WATT AIRTIGHT
LH276ICA-2642UD	(1)26/32/42W	120V-277V/DIMM	DIMMING MULTI-WATT AIRTIGHT

ADD THE FOLLOWING CODE(S) AFTER CATALOG# AS REQUIRED.

-EM (EMERGENCY)



MULTI-WATT

SIX-INCH GENERAL PURPOSE

THE CONTEMPORARY LOOK OF THESE TRIMS SUGGEST A SUBTLE, YET DEFINED DESIGN STATEMENT. FOR DAMP OR WET LOCATIONS, OR WHEN A LIGHT SOURCE NEEDS TO BE ENCLOSED, THESE TRIM STYLES ARE THE CHOICE OF PROFESSIONALS.



WET OR DAMP LOCATION

FOR DAMP OR WET LOCATION, OR WHEN A LIGHT SOURCE NEEDS TO BE SHIELDED, THESE TRIM STYLES ARE THE CHOICE OF PROFESSIONALS. BOTH ENERGY EFFICIENT AND LOW MAINTENANCE WITH MANY STYLES AND COLORS TO SELECT FROM.

1-LAMP TRIMS

--- WITH REFLECTOR ---

--- NO REFLECTOR ---

SHOWER/DECO

<b>LRS14MW</b>	LRS14MN
<b>LRS14MC</b>	LRS14MCO
<b>LRS14MG</b>	LRS14PW
8" O.D.	DTT LAMP
13W-32W PL	FROSTED DOME



SHOWER/DECO

<b>LR14MW</b>	LR14MN
<b>LR14MC</b>	LR14MCO
<b>LR14MG</b>	LR14PW
DTT LAMP	8" O.D.
FROSTED DOME	13W-32W PL

SHOWER/DECO

<b>LRS13MW</b>	LRS13MN
<b>LRS13MC</b>	LRS13MCO
<b>LRS13MG</b>	LRS13PW
8" O.D.	DTT LAMP
13W-32W PL	FRESNEL LENS



SHOWER/DECO

<b>LR13MW</b>	LR13MN
<b>LR13MC</b>	LR13MCO
<b>LR13MG</b>	LR13PW
DTT LAMP	8" O.D.
FRESNEL LENS	13W-32W PL

SHOWER/DECO

<b>LRS12MW</b>	LRS12MN
<b>LRS12MC</b>	LRS12MCO
<b>LRS12MO</b>	LRS12PW
8" O.D.	DTT LAMP
13W-32W PL	ALBALITE LENS



SHOWER/DECO

<b>LR12MW</b>	LR12MN
<b>LR12MC</b>	LR12MCO
<b>LR12MG</b>	LR12PW
DTT LAMP	8" O.D.
ALBALITE LENS	13W-32W PL

SHOWER/DECO

<b>LRS16MW</b>	LRS16MN
<b>LRS16MC</b>	LRS16MCO
<b>LRS16MG</b>	LRS16PW
8" O.D.	DTT LAMP
13W-32W PL	DROP OPAL LENS



SHOWER/DECO

<b>LR16MW</b>	LR16MN
<b>LR16MC</b>	LR16MCO
<b>LR16MG</b>	LR16PW
DTT LAMP	8" O.D.
DROP OPAL LENS	13W-32W PL



#### REFLECTOR

LR99SW	LR99SG
LR99SB	LR99SN
<b>LR99SC</b>	<b>LR99SCO</b>
7 1/4" O.D.	TRIPLE TUBE
13W-32W PL	OR DTT LAMP

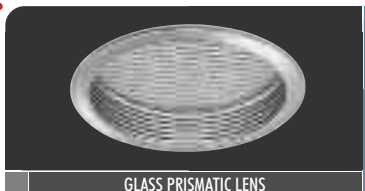


#### REFLECTOR BAFFLE

<b>LRS101W</b>	LRS101N
LRS101B	LRS101CO
LRS101MO	LRS101BCO
TRIPLE TUBE	7 1/4" O.D.
OR DTT LAMP	13W-32W PL

#### LENSED REFLECTOR

LRA 42W	LRA 42C
LRA 42B	LRA 42G
LRA 42BN	<b>LRA 42N</b>
7 1/4" O.D.	TRIPLE TUBE
	13W-32W PL



#### LENSED BAFFLE

LRA 43W	<b>LRA 43N</b>
LRA 43B	LRA 43MO
TRIPLE TUBE LAMP	7 1/4" O.D.
13W-32W PL	

#### GLASS OPEN CONE

LR370W-FR	<b>LR370N-FR</b>
LR370B-FR	LR370CO-FR
8" O.D.	TRIPLE TUBE
13W-32W PL	OR DTT LAMP



#### RING SHAPED GLASS

LR380W-FR	<b>LR380N-FR</b>
LR380B-FR	LR380CO-FR
TRIPLE TUBE	8" O.D.
OR DTT LAMP	13W-32W PL

#### OPENDOME GLASS REFLECTOR

<b>LR449C-FR</b>	LR449NB-FR
LR449CB-FR	LR449W-FR
LR449N-FR	LR449CN-FR
7 1/4" O.D.	TRIPLE TUBE
13W-32W PL	OR DTT LAMP



#### GLASS OPEN DOME BAFFLE

LR470W-FR	LR470NB-FR
LR470MO-FR	LR470CO-FR
<b>LR470N-FR</b>	LR470COB-FR
TRIPLE TUBE	7 1/4" O.D.
OR DTT LAMP	13W-32W PL

#### GLASS DOME BAFFLE

LR366W-FR	<b>LR366N-FR</b>
LR366B-FR	LR366MO-FR
7 1/4" O.D.	TRIPLE TUBE
13W-32W PL	OR DTT LAMP



#### GLASS DOME REFLECTOR

LR377W-FR	LR377C-FR
LR377B-FR	<b>LR377N-FR</b>
TRIPLE TUBE	7 1/4" O.D.
OR DTT LAMP	13W-32W PL

#### WALL WASH BAFFLE

LRS105W	<b>LRS105NW</b>
LRS105B	LRS105COW
LRS105BB	
7 1/4" O.D.	TRIPLE TUBE
13W-32W PL	

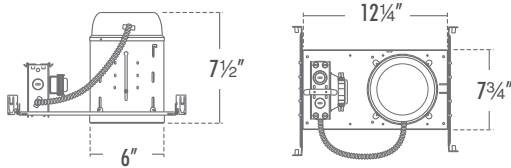


#### WALL WASH REFLECTOR

LRS95W	LRS95G
LRS95B	LRS95NW
<b>LRS95C</b>	
7 1/4" O.D.	TRIPLE TUBE
13W-32W PL	OR DTT LAMP

SIX-INCH GENERAL PURPOSE RECESSED LIGHTING

**LH276-2 SERIES [2-LAMP]**  
6-INCH RECESSED VERTICAL COMPACT FLUORESCENT  
2-LAMP NEW CONSTRUCTION HOUSINGS

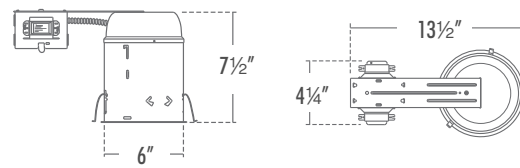


NEW CONSTRUCTION

CATALOG#	LAMPS	VOLT/BALLAST	DESCRIPTION
LH276ICA-213	(2)13W	120V/MAGNETIC	NEW CONSTRUCTION IC-AIRTIGHT
LH276ICA-213E	(2)13W	120V/ELECTRONIC	NEW CONSTRUCTION IC-AIRTIGHT
LH276ICA-213UD	(2)13W	120V-277V/DIMM	DIMMING IC-AIRTIGHT
LH276-218E	(2)18W	120V/ELECTRONIC	NEW CONSTRUCTION
LH276ICA-218E	(2)18W	120V/ELECTRONIC	DOUBLE WALL IC-AIRTIGHT
LH276ICA-218UD	(2)18W	120V-277V/DIMM	DOUBLE WALL DIMMING ICA

ADD THE FOLLOWING CODES AFTER CATALOG# AS REQUIRED.  
-27 (277 VOLT) EM (EMERGENCY)

**LH276R-2 SERIES [2-LAMP REMODEL]**  
6-INCH RECESSED VERTICAL COMPACT FLUORESCENT  
2-LAMP REMODEL HOUSINGS



REMODEL

CATALOG#	LAMPS	VOLT/BALLAST	DESCRIPTION
LH276R ICA-213	(2)13W	120V/MAGNETIC	REMODEL IC-AIRTIGHT
LH276R ICA-213E	(2)13W	120V/ELECTRONIC	REMODEL IC-AIRTIGHT
LH276R ICA-213UD	(2)13W	120V-277V/DIMM	DIMMING REMODEL IC-AIRTIGHT
LH276R-218E	(2)18W	120V/ELECTRONIC	REMODEL
LH276R-218UD	(2)18W	120V-277V/DIMM	DIMMING REMODEL

ADD THE FOLLOWING CODES AFTER CATALOG# AS REQUIRED.  
-27 (277 VOLT) EM (EMERGENCY)

VERTICAL  
GENERAL PURPOSE

2-LAMP



2-LAMP TRIMS

--- WITH REFLECTOR ---

--- NO REFLECTOR ---

SHOWER/DECO

LRS14MW	LRS14MN
LRS14MC	LRS14MCO
LRS14MG	LRS14PW
8" O.D.	DTT LAMP
FROSTED LENS	(2)13W-(2)18W PL



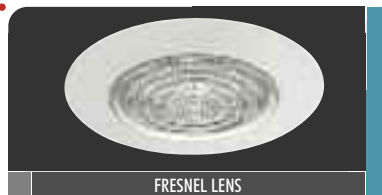
SHOWER/DECO

LR14MW	LR14MN
LR14MC	LR14MCO
LR14MG	LR14PW
DTT LAMP	8" O.D.
(2)13W-(2)18W PL	FROSTED DOME



SHOWER/DECO

LRS13MW	LRS13MN
LRS13MC	LRS13MCO
LRS13MG	LRS13PW
8" O.D.	DTT LAMP
FRESNEL LENS	(2)13W-(2)18W PL

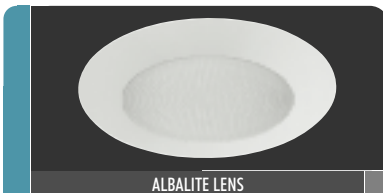


SHOWER/DECO

LR13MW	LR13MN
LR13MC	LR13MCO
LR13MG	LR13PW
DTT LAMP	8" O.D.
(2)13W-(2)18W PL	FRESNEL LENS

SHOWER/DECO

LRS12MW	LRS12MN
LRS12MC	LRS12MCO
LRS12MO	LRS12PW
8" O.D.	DTT LAMP
ALBALITE LENS	(2)13W-(2)18W PL



SHOWER/DECO

LR12MW	LR12MN
LR12MC	LR12MCO
LR12MG	LR12PW
DTT LAMP	8" O.D.
(2)13W-(2)18W PL	ALBALITE LENS

SHOWER/DECO

LRS16MW	LRS16MN
LRS16MC	LRS16MCO
LRS16MG	LRS16PW
8" O.D.	DTT LAMP
DROP OPAL LENS	(2)13W-(2)18W PL



SHOWER/DECO

LR16MW	LR16MN
LR16MC	LR16MCO
LR16MG	LR16PW
DTT LAMP	8" O.D.
(2)13W-(2)18W PL	DROP OPAL LENS

# 6

## ENERGY EFFICIENT COMPACT FLUORESCENT

### SIX-INCH GENERAL PURPOSE • 2-LAMP

# LITON

A STANDARD IN THE INDUSTRY, LITON 6" COMPACT FLUORESCENT DOWNLIGHTS WITH 2-LAMP VERTICAL CAPABILITY ARE AVAILABLE IN BOTH STANDARD AND DESIGNER FINISHES.



#### METAL BAFFLE

<b>LRM30W</b>	<b>LRM30N</b>
<b>LRM30B</b>	<b>LRM30CO</b>
<b>LRM30MO</b>	<b>LRM30BCO</b>
DTT LAMP	7 1/4" O.D.
(2)13W-(2)18W PL	

#### REFLECTOR

<b>LR88W</b>	<b>LR88G</b>
<b>LR88B</b>	<b>LR88N</b>
<b>LR88C</b>	<b>LR88SCO</b>
7 1/4" O.D.	DTT LAMP
	(2)13W-(2)18W PL



#### REFLECTOR BAFFLE

<b>LRM202W</b>	<b>LRM202N</b>
<b>LRM202B</b>	<b>LRM202CO</b>
<b>LRM202MO</b>	<b>LRM202COB</b>
DTT LAMP	7 1/4" O.D.
(2)13W-(2)18W PL	

#### LENSED REFLECTOR

<b>LRA 42W</b>	<b>LRA 42C</b>
<b>LRA 42B</b>	<b>LRA 42G</b>
<b>LRA 42BN</b>	<b>LRA 42N</b>
7 1/4" O.D.	DTT LAMP
	(2)13W-(2)18W PL



#### LENSED BAFFLE

<b>LRA 43W</b>	<b>LRA 43N</b>
<b>LRA 43B</b>	<b>LRA 43MO</b>
DTT LAMP	7 1/4" O.D.
(2)13W-(2)18W PL	

#### GLASS OPEN CONE

<b>LR370W-FR</b>	<b>LR370N-FR</b>
<b>LR370B-FR</b>	<b>LR370CO-FR</b>
8" O.D.	DTT LAMP
	(2)13W-(2)18W PL

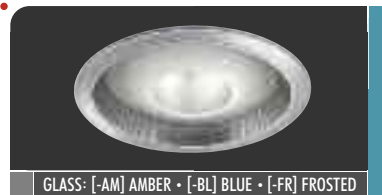


#### RING SHAPED GLASS

<b>LR380W-FR</b>	<b>LR380N-FR</b>
<b>LR380B-FR</b>	<b>LR380CO-FR</b>
DTT LAMP	8" O.D.
(2)13W-(2)18W PL	

#### OPENDOME GLASS REFLECTOR

<b>LR449C-FR</b>	<b>LR449NB-FR</b>
<b>LR449CB-FR</b>	<b>LR449W-FR</b>
<b>LR449N-FR</b>	<b>LR449CN-FR</b>
7 1/4" O.D.	DTT LAMP
	(2)13W-(2)18W PL



#### GLASS OPEN DOME BAFFLE

<b>LR470W-FR</b>	<b>LR470NB-FR</b>
<b>LR470MO-FR</b>	<b>LR470CO-FR</b>
<b>LR470N-FR</b>	<b>LR470COB-FR</b>
DTT LAMP	7 1/4" O.D.
(2)13W-(2)18W PL	

#### GLASS DOME BAFFLE

<b>LR366W-FR</b>	<b>LR366N-FR</b>
<b>LR366B-FR</b>	<b>LR366MO-FR</b>
7 1/4" O.D.	DTT LAMP
	(2)13W-(2)18W PL



#### GLASS DOME REFLECTOR

<b>LR377W-FR</b>	<b>LR377C-FR</b>
<b>LR377B-FR</b>	<b>LR377N-FR</b>
DTT LAMP	7 1/4" O.D.
(2)13W-(2)18W PL	

#### WALL WASH BAFFLE

<b>LR203W</b>	<b>LR203NW</b>
<b>LR203B</b>	<b>LR203CW</b>
<b>LR203BB</b>	
7 1/4" O.D.	DTT LAMP
	(2)13W-(2)18W PL



#### WALL WASH REFLECTOR

<b>LRS81W</b>	<b>LRS81G</b>
<b>LRS81B</b>	<b>LRS81NW</b>
<b>LRS81C</b>	
DTT LAMP	7 1/4" O.D.
(2)13W-(2)18W PL	



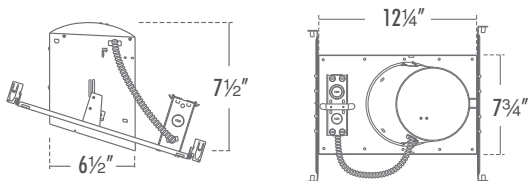
SIX-INCH SLOPED CEILING RECESSED

GENERAL PURPOSE



LH47-113 SERIES

6-INCH RECESSED COMPACT FLUORESCENT SLOPED CEILING **STANDARD** HOUSINGS AND TRIMS



1-LAMP NEW CONSTRUCTION SLOPED HOUSING

CATALOG#	LAMPS	VOLT/BALLAST	DESCRIPTION
LH47-113	(1)13W	120V/MAGNETIC	NEW CONSTRUCTION SLOPED
LH47-113E	(1)13W	120V/ELECTRONIC	NEW CONSTRUCTION SLOPED
LH47-118E	(1)18W	120V/ELECTRONIC	NEW CONSTRUCTION SLOPED
LH47-118UD	(1)18W	120V-277V DIMM	<b>DIMMING</b> NEW CONSTRUCTION
LH47-126E	(1)26W	120V/ELECTRONIC	NEW CONSTRUCTION SLOPED
LH47-126UD	(1)26W	120V-277V DIMM	<b>DIMMING</b> NEW CONSTRUCTION
LH47-132E	(1)32W	120V/ELECTRONIC	NEW CONSTRUCTION SLOPED
LH47-132UD	(1)32W	120V-277V DIMM	<b>DIMMING</b> NEW CONSTRUCTION

ADD THE FOLLOWING CODES AFTER CATALOG# AS REQUIRED.  
**-27** (277 VOLT)    **-EM** (EMERGENCY)

2-LAMP NEW CONSTRUCTION SLOPED HOUSING

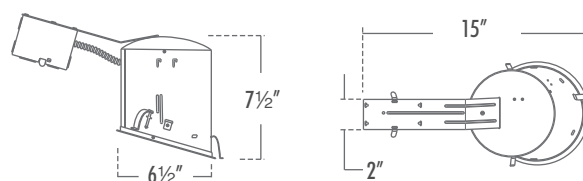
CATALOG#	LAMPS	VOLT/BALLAST	DESCRIPTION
LH47-213	(2)13W	120V/MAGNETIC	NEW CONSTRUCTION SLOPED
LH47-213E	(2)13W	120V/ELECTRONIC	NEW CONSTRUCTION SLOPED
LH47-213UD	(2)13W	120V-277V DIMM	<b>DIMMING</b> NEW CONSTRUCTION
LH47-218E	(2)18W	120V/ELECTRONIC	NEW CONSTRUCTION SLOPED
LH47-218UD	(2)18W	120V-277V DIMM	<b>DIMMING</b> NEW CONSTRUCTION

ADD THE FOLLOWING CODES AFTER CATALOG# AS REQUIRED.  
**-27** (277 VOLT)    **-EM** (EMERGENCY)



LH47R-113 SERIES

6-INCH RECESSED COMPACT FLUORESCENT SLOPED CEILING **REMODEL** HOUSINGS AND TRIMS



1-LAMP REMODEL SLOPED HOUSING

CATALOG#	LAMPS	VOLT/BALLAST	DESCRIPTION
LH47R-113	(1)13W	120V/MAGNETIC	REMODEL SLOPED
LH47R-113E	(1)13W	120V/ELECTRONIC	REMODEL SLOPED
LH47R-118E	(1)18W	120V/ELECTRONIC	REMODEL SLOPED
LH47R-118UD	(1)18W	120V-277V DIMM	<b>DIMMING</b> REMODEL
LH47R-126E	(1)26W	120V/ELECTRONIC	REMODEL SLOPED
LH47R-126UD	(1)26W	120V-277V DIMM	<b>DIMMING</b> REMODEL
LH47R-132E	(1)32W	120V/ELECTRONIC	REMODEL SLOPED
LH47R-132UD	(1)32W	120V-277V DIMM	<b>DIMMING</b> REMODEL

ADD THE FOLLOWING CODES AFTER CATALOG# AS REQUIRED.  
**-27** (277 VOLT)    **-EM** (EMERGENCY)

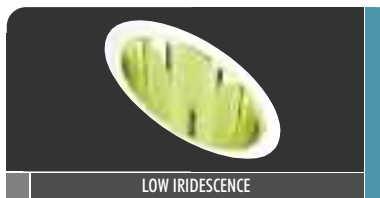
2-LAMP REMODEL SLOPED HOUSING

CATALOG#	LAMPS	VOLT/BALLAST	DESCRIPTION
LH47R-213	(2)13W	120V/MAGNETIC	REMODEL SLOPED
LH47R-213E	(2)13W	120V/ELECTRONIC	REMODEL SLOPED
LH47R-213UD	(2)13W	120V-277V DIMM	<b>DIMMING</b> REMODEL
LH47R-218E	(2)18W	120V/ELECTRONIC	REMODEL SLOPED
LH47R-218UD	(2)18W	120V-277V DIMM	<b>DIMMING</b> REMODEL

ADD THE FOLLOWING CODES AFTER CATALOG# AS REQUIRED.  
**-27** (277 VOLT)    **-EM** (EMERGENCY)

SLOPED REFLECTOR

LR916W	LR916G
LR916B	LR916S
LR916C	
7 1/4" O.D.	(1-2)13W DTT

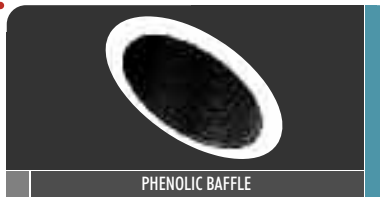


SLOPED REFLECTOR

LR916W	LR916G
LR916B	LR916S
LR916C	
(1-2)13W DTT	7 1/4" O.D.

SLOPED BAFFLE

LR903W	LR903B
7 1/4" O.D.	(1-2)13W DTT



SLOPED BAFFLE

LR903W	LR903B
(1-2)13W DTT	7 1/4" O.D.



**ENERGY EFFICIENT COMPACT FLUORESCENT RECESSED LIGHTING**





FOR **LIGHT COMMERCIAL** • AVAILABLE IN MANY SIZES & STYLES...



REFLECTOR  
WITH BAFFLE



GLASS  
DECO

DIFFERENT WATTAGE, STYLES, COLORS AND  
LAMP SOURCES MAKE THE FLUORESCENT SERIES  
THE MOST ECONOMICAL, YET VERSATILE FOR  
**TODAY'S DESIGN STANDARDS.**

## FEATURES

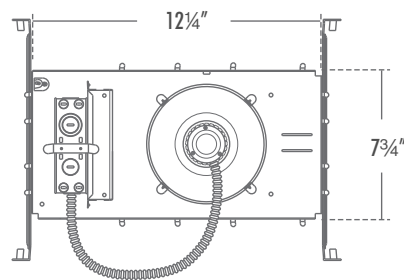
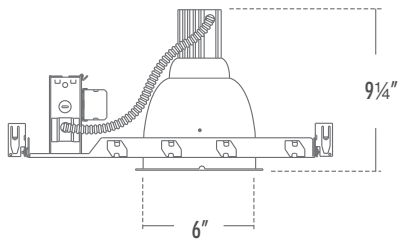
- 24" ADJUSTABLE HANGER BARS [INCLUDED]
- THERMAL PROTECTOR GUARDS AGAINST IMPROPER LAMPING AND INSTALLATION
- ADJUSTABLE SOCKET PLATE ALLOWS FOR USE OF DIFFERENT LAMP TYPES/SIZES
- JUNCTION BOX IS LISTED FOR THROUGH BRANCH CIRCUIT WIRING [4IN, 40UT] WITH 1/2" AND 3/4" KNOCKOUTS
- UL LISTED FOR FEED THROUGH AND DAMP LOCATION



## 1-LAMP

## LVH6 SERIES [LIGHT COMMERCIAL]

### 6-INCH RECESSED COMPACT FLUORESCENT LIGHT COMMERCIAL HOUSINGS AND TRIMS



## 6" LIGHT COMMERCIAL RECESSED VERTICAL COMPACT FLUORESCENT HOUSING

LITON OFFERS THE BROADEST AND MOST VERSATILE SELECTION OF ENERGY EFFICIENT FLUORESCENT DOWN LIGHTING FIXTURES IN THE INDUSTRY.

COMBINED WITH A LARGE ASSORTMENT OF TRIM STYLES, THESE PRODUCTS CAN BE INSTALLED IN ALMOST ANY APPLICATION FROM **MALLS AND HOTELS TO MUSEUMS AND RESTAURANTS, HOSPITALS, AIRPORTS, SCHOOLS, AS WELL AS RESIDENTIAL FACILITIES.**

IN TODAY'S WORLD, WHEN **ENERGY SAVINGS ARE A MUST**, AND MAINTENANCE MUST BE KEPT TO A MINIMUM... LITON'S COMPACT FLUORESCENT DOWN LIGHTING IS THE CHOICE OF ENGINEERS, ARCHITECTS AND OWNERS.

DIFFERENT WATTAGE, STYLES, COLORS AND LAMP SOURCES MAKE THE FLUORESCENT SERIES THE MOST ECONOMICAL, YET VERSATILE FOR **TODAY'S DESIGN STANDARDS.**

## ORDERING

CATALOG#	LAMPS	VOLT/BALLAST	DESCRIPTION
LVH613E	(1)13W	120V/ELECTRONIC	VERTICAL LIGHT COMMERCIAL
LVH613UD	(1)13W	120V-277V DIMM	<b>DIMMING</b> LIGHT COMMERCIAL
LVH618E	(1)18W	120V/ELECTRONIC	VERTICAL LIGHT COMMERCIAL
LVH618UD	(1)18W	120V-277V DIMM	<b>DIMMING</b> LIGHT COMMERCIAL
LVH626E	(1)26W	120V/ELECTRONIC	VERTICAL LIGHT COMMERCIAL
LVH626UD	(1)26W	120V-277V DIMM	<b>DIMMING</b> LIGHT COMMERCIAL
LVH632E	(1)32W	120V/ELECTRONIC	VERTICAL LIGHT COMMERCIAL
LVH632UD	(1)32W	120V-277V DIMM	<b>DIMMING</b> LIGHT COMMERCIAL
LVH642E	(1)42W	120V/ELECTRONIC	VERTICAL LIGHT COMMERCIAL
LVH642UD	(1)42W	120V-277V DIMM	<b>DIMMING</b> LIGHT COMMERCIAL

ADD THE FOLLOWING CODES AFTER CATALOG# AS REQUIRED.

**-27** (277 VOLT)      **-EM** (EMERGENCY)

### \*\*\* NEW MULTI-WATT HOUSING 26W/32W/42W \*\*\*

## LVH626-42E 1-LAMP MULTI-WATT [26W/32W/42W]

### 6-INCH RECESSED VERTICAL COMPACT FLUORESCENT 1-LAMP NEW CONSTRUCTION • MULTI-WATT HOUSING

#### NEW CONSTRUCTION

#### MULTI-WATT




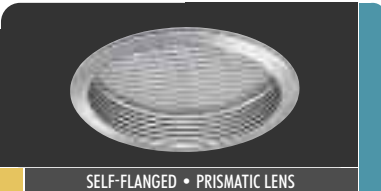








CATALOG#	LAMPS	VOLT/BALLAST	DESCRIPTION
LVH626-42E	(1)26/32/42W	120V/ELECTRONIC	NEW CONSTRUCTION MULTI-WATT
LVH626-42UD	(1)26/32/42W	120V-277V DIMM	<b>DIMMING</b> MULTI-WATT

ADD THE FOLLOWING CODE(S) AFTER CATALOG# AS REQUIRED.

**-EM** (EMERGENCY)

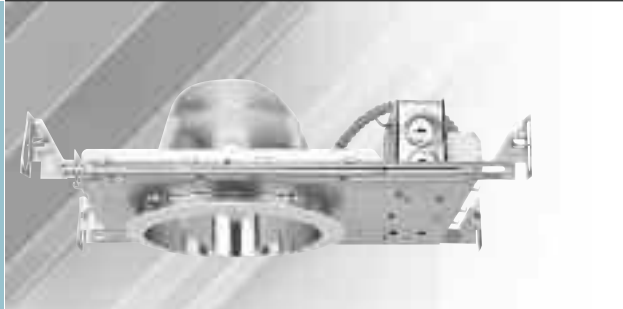




<b>REFLECTOR</b>				<b>REFLECTOR BAFFLE</b>	
<b>LR601WWF</b>	<b>LR601CWF</b> <b>LR601SWF</b>	SELF-FLANGED • IRIDESCENCE-FREE	SELF-FLANGED • IRIDESCENCE-FREE	<b>LR603NNF</b>	<b>LR603BWF</b>
7 1/4" O.D.	TRIPLE TUBE OR DTT LAMP			<b>LR603WWF</b>	<b>LR603MOMOF</b>
				<b>LR603COCOF</b>	
				TRIPLE TUBE OR DTT LAMP	7 1/4" O.D.
<b>LENSED REFLECTOR</b>				<b>LENSED BAFFLE</b>	
<b>LR602SNF</b>	<b>LR602CWF</b> <b>LR602WWF</b>	SELF-FLANGED • PRISMATIC LENS	SELF-FLANGED • PRISMATIC LENS	<b>LR604WWF</b>	<b>LR604NNF</b>
7 1/4" O.D.	TRIPLE TUBE LAMP			<b>LR604BWF</b>	<b>LR604MOMOF</b>
				<b>LR604COCOF</b>	
				TRIPLE TUBE LAMP	7 1/4" O.D.
<b>OPENDOME GLASS REFLECTOR</b>				<b>OPENDOME GLASS BAFFLE</b>	
<b>LR631WWF-FR</b>	<b>LR631SNF-FR</b> <b>LR631CNF-FR</b>	GLASS: [-AM] AMBER • [-BL] BLUE • [-FR] FROSTED	GLASS: [-AM] AMBER • [-BL] BLUE • [-FR] FROSTED	<b>LR633WWF-FR</b>	<b>LR633NNF-FR</b>
7 1/2" O.D.	TRIPLE TUBE OR DTT LAMP			<b>LR633BWF-FR</b>	<b>LR633MOMOF-FR</b>
				TRIPLE TUBE OR DTT LAMP	7 1/2" O.D.
<b>REFLECTOR BAFFLE</b>				<b>GLASS PINHOLE • STUDS</b>	
<b>LR603WWF</b>	<b>LR603NNF</b> <b>LR603BWF</b> <b>LR603COCOF</b>	SELF-FLANGED • IRIDESCENCE-FREE	GLASS: [-BL] BLUE • [-FR] FROSTED	<b>LR6021CCF-FR</b>	<b>LR6021WWF-FR</b>
7 1/2" O.D.	TRIPLE TUBE OR DTT LAMP			<b>LR6021CWF-FR</b>	<b>LR6021SWF-FR</b>
				TRIPLE TUBE OR DTT LAMP	7 1/2" O.D.
<b>OPEN WALL WASH</b>				<b>OPEN WALL WASH</b>	
<b>LR609CWF</b>	<b>LR609CNF</b>	SELF-FLANGED • IRIDESCENCE-FREE	SELF-FLANGED • IRIDESCENCE-FREE	<b>LR609CWF</b>	<b>LR609CNF</b>
7 1/2" O.D.	TRIPLE TUBE OR DTT LAMP			TRIPLE TUBE OR DTT LAMP	7 1/2" O.D.
<b>WALL WASH [REFLECTOR]</b>				<b>WALL WASH [BAFFLE]</b>	
<b>LR605WWF</b>	<b>LR605CWF</b> <b>LR605SWF</b>	SELF-FLANGED • IRIDESCENCE-FREE	SELF-FLANGED • IRIDESCENCE-FREE	<b>LR610WWF</b>	<b>LR610NNF</b>
7 1/4" O.D.	TRIPLE TUBE OR DTT LAMP			<b>LR610BWF</b>	<b>LR610MOMOF</b>
				TRIPLE TUBE OR DTT LAMP	7 1/4" O.D.

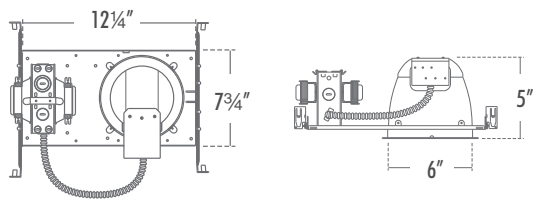


HORIZONTAL  
LIGHT COMMERCIAL



## LFH1/LFH2 SERIES

6-INCH RECESSED COMPACT FLUORESCENT  
LIGHT COMMERCIAL HOUSINGS [HANGER BARS INCLUDED]



### ORDERING

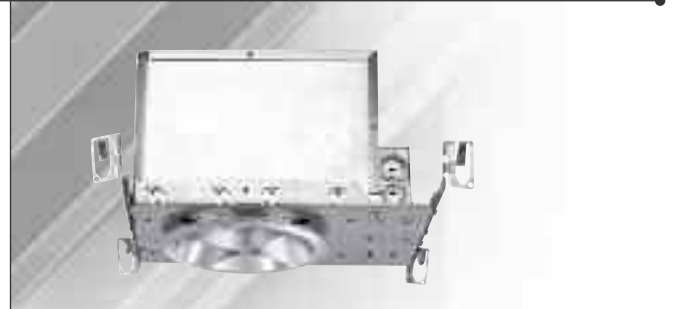
#### 1-LAMP [32W-USE SYLVANIA LAMPS ONLY]

CATALOG#	LAMPS	VOLT/BALLAST	DESCRIPTION
LFH126E	(1)26W	120V/ELECTRONIC	HORIZONTAL LIGHT COMMERCIAL
LFH126UD	(1)26W	120V-277V DIMM	<b>DIMMING</b> LIGHT COMMERCIAL
LFH132E	(1)32W	120V/ELECTRONIC	HORIZONTAL LIGHT COMMERCIAL
LFH132UD	(1)32W	120V-277V DIMM	<b>DIMMING</b> LIGHT COMMERCIAL

#### 2-LAMP

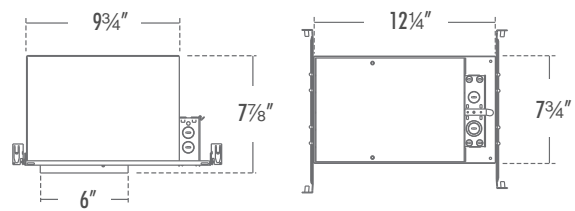
LFH213E	(2)13W	120V/ELECTRONIC	HORIZONTAL LIGHT COMMERCIAL
LFH213UD	(2)13W	120V-277V DIMM	<b>DIMMING</b> LIGHT COMMERCIAL
LFH218E	(2)18W	120V/ELECTRONIC	HORIZONTAL LIGHT COMMERCIAL
LFH218UD	(2)18W	120V-277V DIMM	<b>DIMMING</b> LIGHT COMMERCIAL
LFH226E	(2)26W	120V/ELECTRONIC	HORIZONTAL LIGHT COMMERCIAL
LFH226UD	(2)26W	120V-277V DIMM	<b>DIMMING</b> LIGHT COMMERCIAL

ADD THE FOLLOWING CODES AFTER CATALOG# AS REQUIRED.  
**-27** (277 VOLT)    **-EM** (EMERGENCY)



## LFH1/LFH2 IC SERIES

6-INCH RECESSED COMPACT FLUORESCENT  
LIGHT COMMERCIAL IC HOUSINGS [HANGER BARS INCLUDED]



### ORDERING

#### 1-LAMP [32W-USE SYLVANIA LAMPS ONLY]

CATALOG#	LAMPS	VOLT/BALLAST	DESCRIPTION
LFH126 ICE	(1)26W	120V/ELECTRONIC	HORIZONTAL LIGHT COMMERCIAL
LFH126 IC UD	(1)26W	120V-277V DIMM	<b>DIMMING</b> LIGHT COMMERCIAL
LFH132 ICE	(1)32W	120V/ELECTRONIC	HORIZONTAL LIGHT COMMERCIAL
LFH132 IC UD	(1)32W	120V-277V DIMM	<b>DIMMING</b> LIGHT COMMERCIAL

#### 2-LAMP

LFH213 ICE	(2)13W	120V/ELECTRONIC	HORIZONTAL LIGHT COMMERCIAL
LFH213 IC UD	(2)13W	120V-277V DIMM	<b>DIMMING</b> LIGHT COMMERCIAL
LFH218 ICE	(2)18W	120V/ELECTRONIC	HORIZONTAL LIGHT COMMERCIAL
LFH218 IC UD	(2)18W	120V-277V DIMM	<b>DIMMING</b> LIGHT COMMERCIAL
LFH226 ICE	(2)26W	120V/ELECTRONIC	HORIZONTAL LIGHT COMMERCIAL
LFH226 IC UD	(2)26W	120V-277V DIMM	<b>DIMMING</b> LIGHT COMMERCIAL

ADD THE FOLLOWING CODES AFTER CATALOG# AS REQUIRED.  
**-27** (277 VOLT)    **-EM** (EMERGENCY)

LITON



**1-LAMP OR 2-LAMP  
HORIZONTAL FOR  
LIGHT COMMERCIAL**

LITON'S LIGHT COMMERCIAL COMPACT FLUORESCENT RECESSED LIGHTING FAR SURPASSES INDUSTRY STANDARDS. WITH **TOP QUALITY MATERIALS** AND CRAFTSMANSHIP, AND A LARGE CHOICE OF TRIMS, **LITON** OFFERS THE IDEAL SOLUTION FOR LIGHTING ANY SPACE.



<b>REFLECTOR</b>	
LR661WWF	LR661CWF
LR661SWF	LR661SNF
7½" O.D.	DTT LAMP



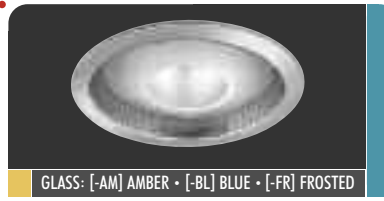
<b>REFLECTOR BAFFLE</b>	
LR663WWF	LR663NNF
LR663MOMOF	LR663BWF
LR663COCOF	
DTT LAMP	7½" O.D.

<b>REFLECTOR</b>	
LR661WWF	LR661CWF
LR661SWF	LR661SNF
7½" O.D.	DTT LAMP



<b>REFLECTOR BAFFLE</b>	
LR663WWF	LR663NNF
LR663MOMOF	LR663BWF
LR663COCOF	
DTT LAMP	7½" O.D.

<b>OPENDOME GLASS REFLECTOR</b>	
LR641WWF-FR	LR641CWF-FR
LR641SNF-FR	LR641CNF-FR
7½" O.D.	DTT LAMP



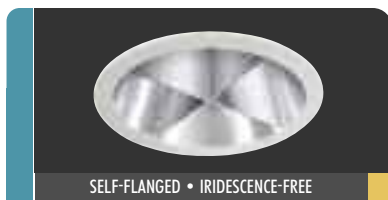
<b>OPENDOME GLASS BAFFLE</b>	
LR643BWF-FR	LR643WWF-FR
LR643NNF-FR	LR643MOMOF-FR
DTT LAMP	7½" O.D.

<b>LENSED REFLECTOR</b>	
LR662WWF	LR662CWF
LR662SNF	LR662CNF
7½" O.D.	TRIPLE TUBE LAMP



<b>LENSED BAFFLE</b>	
LR664BWF	LR664NNF
LR664WWF	LR664MOMOF
TRIPLE TUBE LAMP	7½" O.D.

<b>CROSS BLADE</b>	
LR668WWF	LR668CWF
LR668SSF	LR668SWF
7½" O.D.	DTT LAMP



<b>CROSS BLADE</b>	
LR668WWF	LR668CWF
LR668CNF	LR668SSF
DTT LAMP	7½" O.D.

<b>WALL WASH REFLECTOR</b>	
LR667WWF	LR667CWF
LR667SNF	LR667SWF
7½" O.D.	TRIPLE TUBE LAMP



<b>WALL WASH BAFFLE</b>	
LR665WWF	LR665WWF
LR665BWF	LR665NNF
DTT LAMP	7½" O.D.

A photograph of a modern interior hallway. The ceiling is white with several recessed lighting fixtures, including three large, circular, multi-tiered fixtures in the foreground. The wall is covered in light-colored wood paneling with vertical grain. A long, white, rectangular object, possibly a bench or a counter, runs along the base of the wall. The floor is a light-colored, polished material that reflects the ceiling lights.

**ENERGY EFFICIENT COMPACT FLUORESCENT ARCHITECTURAL**

---

**ARCHITECTURAL  
COMPACT  
FLUORESCENT**

IN TODAY'S WORLD, WHEN  
ENERGY SAVINGS ARE A MUST . . .  
AND MAINTENANCE MUST  
BE KEPT TO A MINIMUM . . .

COMPACT FLUORESCENT  
RECESSED LIGHTING IS THE  
IDEAL CHOICE OF THE ENGINEERS,  
ARCHITECTS, AND OWNERS.

DIFFERENT WATTAGES, STYLES,  
COLORS AND LAM SOURCES  
MAKE THE COMPACT FLUORESCENT  
SERIES THE MOST ECONOMICAL . . .  
YET VERSATILE FOR TODAY'S  
DESIGN STANDARDS.

---





**ENERGY EFFICIENT COMPACT FLUORESCENT ARCHITECTURAL**

VERTICAL  
ARCHITECTURAL

1-LAMP



## LVH41

RECESSED SERIES

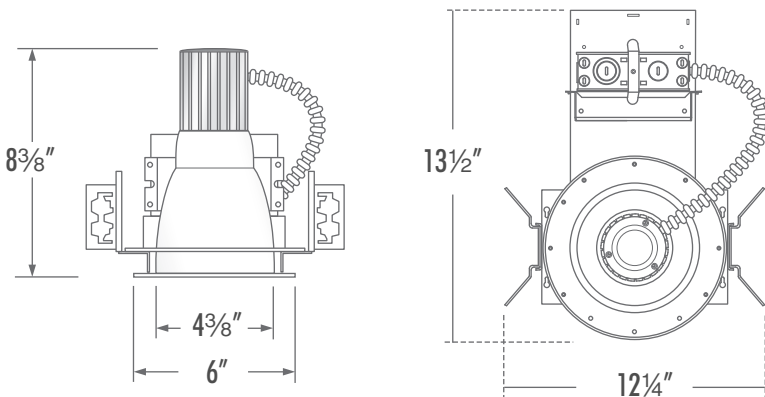
- ENERGY EFFICIENT
- COMPACT SIZE
- DIE-CAST FITTINGS
- PREMIUM BALLAST
- SELF-FLANGED TRIMS



**EMERGENCY**  
ADD "-EM" TO CAT#



**DIMMING**  
CAPABILITY



## LVH41

RECESSED SERIES

**4-INCH RECESSED  
COMPACT FLUORESCENT**

**ARCHITECTURAL  
HOUSINGS AND TRIMS**

## FEATURES

- ENERGY EFFICIENT
- COMPACT SIZE
- ADJUSTABLE SOCKET CAP
- 120V/277V PREMIUM BALLAST
- ADJUSTABLE BAT WING BRACKETS
- SELF FLANGED IRIDESCENCE FREE TRIMS
- DIE CAST FITTINGS
- EMERGENCY OPTION
- WIDE JUNCTION BOX
- DIMMING CAPABILITY
- MULTI-WATT HOUSING

### ORDERING

ORDERING EXAMPLE: **LVH4118UE/L270/LR401CWF**

--	--	--	--	--	--

HOUSING	LAMP [WATT.]	CEILING	BALLAST	VOLTAGE	OPTIONS
<b>LVH41</b>	13 : (1)13W	<b>BLANK</b> : NON IC <b>IC</b> : INSULATED	<b>UE</b> : ELECTRONIC <b>UD</b> : UNIVERSAL [DIMMABLE] <b>ADV-M7</b> : ADVANCE	<b>BLANK</b> : 120V-277V <b>-347</b> : 347V	<b>HANGER BARS</b> <b>/C260</b> : C-CHANNEL <b>/L270</b> : LINEAR <b>EMERGENCY</b> <b>/EM</b> : EMERGENCY BALLAST WITH REMOTE TEST SWITCH <b>/FS</b> : FUSE
	18 : (1)18W	<b>BLANK</b> : NON IC	<b>ADV-M10</b> : ADVANCE	<b>-120</b> : 120V	
	26 : (1)26W		<b>LUT-HL</b> : LUTRON	<b>-27</b> : 277V	
	32 : (1)32W		<b>LUT-TW</b> : LUTRON		

\*\*\*\*\* **NEW MULTI-WATT UNIVERSAL VOLTAGE 13W/18W/26W**

HOUSING	LAMP [WATT.]	CEILING	BALLAST	VOLTAGE
<b>LVH41</b>	13-26 : MULTI-WATT (1)13W/18W/26W	<b>BLANK</b> : NON IC	<b>UE</b> : ELECTRONIC [ADVANCE]	<b>BLANK</b> : 120V-277V

MULTI-WATT





LITON

1-LAMP



REFLECTOR

**LR401WWF**    **LR401CWF**  
**LR401SNF**    **LR401SWF**

5<sup>15</sup>/<sub>16</sub>" O.D.    DTT LAMP  
SELF FLANGED



REFLECTOR

**LR401WWF**    **LR401SWF**  
**LR401CWF**    **LR401SNF**

DTT LAMP    5<sup>15</sup>/<sub>16</sub>" O.D.  
SELF FLANGED

LENSED REFLECTOR

**LR402WWF**    **LR402CWF**  
**LR402SNF**

5<sup>15</sup>/<sub>16</sub>" O.D.    DTT LAMP  
SELF FLANGED



GLASS DOME REFLECTOR

**LR477SWF-FR**    **LR477SNF-FR**  
**LR477CWF-FR**    **LR477WWF-FR**

DTT LAMP    5<sup>15</sup>/<sub>16</sub>" O.D.  
SELF FLANGED

REFLECTOR W/BAFFLE

**LR403WWF**    **LR403NNF**  
**LR403BWF**    **LR403MOMOF**

5<sup>15</sup>/<sub>16</sub>" O.D.    DTT LAMP  
SELF FLANGED



GLASS DOME BAFFLE

**LR466WWF-FR**    **LR466NWF-FR**  
**LR466BWF-FR**    **LR466MOWF-FR**

DTT LAMP    5<sup>15</sup>/<sub>16</sub>" O.D.  
SELF FLANGED

LENSED BAFFLE

**LR404WWF**    **LR404NNF**  
**LR404BWF**    **LR404MOMOF**

5<sup>15</sup>/<sub>16</sub>" O.D.    DTT LAMP  
SELF FLANGED



VERTICAL  
ARCHITECTURAL

1-LAMP



## LVH61

RECESSED SERIES

ENERGY EFFICIENT

HEAVY DUTY

DIE-CAST FITTINGS

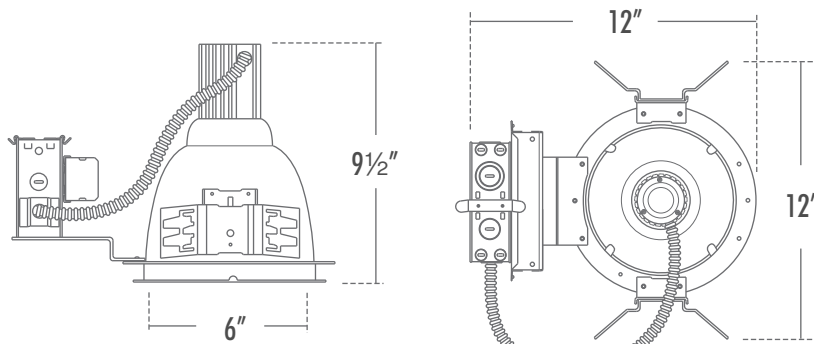
PREMIUM BALLAST

SELF-FLANGED TRIMS



EMERGENCY  
ADD "-EM" TO CAT#

DIMMING  
CAPABILITY



### ORDERING

ORDERING EXAMPLE: **LVH6118ICUE/L270/LR601CWF**

--	--	--	--	--	--

HOUSING	LAMP [WATT.]	CEILING	BALLAST	VOLTAGE	OPTIONS
<b>LVH61</b>	13 : (1)13W 18 : (1)18W 26 : (1)26W	<b>BLANK</b> : NON IC <b>IC</b> : INSULATED	<b>UE</b> : ELECTRONIC <b>UD</b> : UNIVERSAL [DIMMABLE] <b>ADV-M7</b> : ADVANCE	<b>BLANK</b> : 120V-277V <b>-347</b> : 347V	<b>HANGER BARS</b> <b>/C260</b> : C-CHANNEL <b>/L270</b> : LINEAR <b>EMERGENCY</b> <b>/EM</b> : EMERGENCY BALLAST WITH REMOTE TEST SWITCH <b>/FS</b> : FUSE
	32 : (1)32W 42 : (1)42W	<b>BLANK</b> : NON IC	<b>ADV-M10</b> : ADVANCE <b>LUT-HL</b> : LUTRON <b>LUT-TW</b> : LUTRON	<b>-120</b> : 120V <b>-27</b> : 277V	

\*\*\*\*\* **NEW MULTI-WATT UNIVERSAL VOLTAGE 26W/32W/42W**

<b>LVH61</b>	26-42 : MULTI-WATT (1)26W/32W/42W	<b>BLANK</b> : NON IC	<b>UE</b> : ELECTRONIC [ADVANCE] <b>UD</b> : UNIVERSAL [DIMMABLE]	<b>BLANK</b> : 120V-277V	
--------------	---	-----------------------	--	--------------------------	--

## LVH61

RECESSED SERIES

**6-INCH RECESSED  
COMPACT FLUORESCENT**

**ARCHITECTURAL  
HOUSINGS AND TRIMS**

## FEATURES

- ENERGY EFFICIENT
- ADJUSTABLE SOCKET CAP
- 120V/277V PREMIUM BALLAST
- ADJUSTABLE BAT WING BRACKETS
- SELF FLANGED IRIDESCENCE FREE TRIMS
- DIE CAST FITTINGS
- EMERGENCY OPTION
- WIDE JUNCTION BOX
- DIMMING CAPABILITY
- MULTI-WATT HOUSING AVAILABLE

MULTI-WATT

## SIX-INCH 1-LAMP VERTICAL • SELF-FLANGED

LITON OFFERS THE BROADEST AND MOST VERSATILE SELECTION OF ENERGY EFFICIENT COMPACT FLUORESCENT DOWN LIGHTING IN THE INDUSTRY. COMBINED WITH A LARGE ASSORTMENT OF TRIM STYLES, THESE PRODUCTS CAN BE INSTALLED IN ALMOST ANY APPLICATION, FROM MALLS AND HOTELS TO MUSEUMS AND RESTAURANTS, HOSPITALS, AIRPORTS, SCHOOLS, ETC.



## REFLECTOR

LR601WWF  
LR601SWF  
LR601CWF  
LR601CCF

7½" O.D.  
TRIPLE TUBE  
OR DTT LAMP



## REFLECTOR BAFFLE

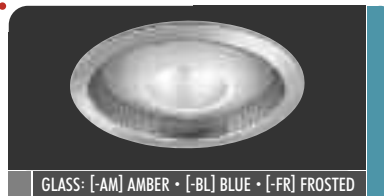
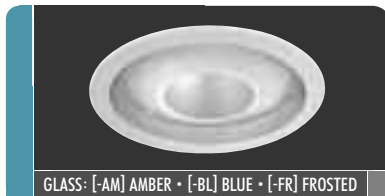
LR603WWF  
LR603MOMOF  
LR603COCOF  
LR603NNF  
LR603BWF

TRIPLE TUBE  
OR DTT LAMP  
7½" O.D.

## OPENDOME GLASS REFLECTOR

LR631WWF-FR  
LR631SNF-FR  
LR631CWF-FR  
LR631CNF-FR

7½" O.D.  
TRIPLE TUBE  
OR DTT LAMP



## OPENDOME GLASS BAFFLE

LR633WWF-FR  
LR633BWF-FR  
LR633NNF-FR  
LR633MOMOF-FR

TRIPLE TUBE  
OR DTT LAMP  
7½" O.D.

## OPEN WALL WASH

LR609CWF  
LR609CNF

7½" O.D.  
TRIPLE TUBE  
OR DTT LAMP



## OPEN WALL WASH

LR609CWF  
LR609CNF

TRIPLE TUBE  
OR DTT LAMP  
7½" O.D.

## ECONOMICAL AND VERSATILE LIKE NO OTHER . . .

IN TODAY'S WORLD, WHEN ENERGY SAVINGS ARE A MUST, AND MAINTENANCE MUST BE KEPT TO A MINIMUM, LITON'S COMPACT FLUORESCENT RECESSED LIGHTING COLLECTION IS THE CHOICE OF ENGINEERS, ARCHITECTS AND OWNERS. DIFFERENT WATTAGE, STYLES, COLORS, AND LAMP SOURCES MAKE THIS SERIES THE MOST ECONOMICAL, YET VERSATILE FOR TODAY'S DESIGN STANDARDS.

## REFLECTOR BAFFLE

LR603WWF  
LR603MOMOF  
LR603NNF  
LR603BWF  
LR603COCOF

7½" O.D.  
TRIPLE TUBE  
OR DTT LAMP



## GLASS PINHOLE • STUDS

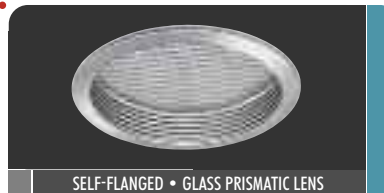
LR6021CCF-FR  
LR6021CWF-FR  
LR6021WWF-FR  
LR6021SWF-FR

TRIPLE TUBE  
OR DTT LAMP  
7½" O.D.

## LENSED REFLECTOR

LR602WWF  
LR602CWF  
LR602CNF  
LR602SNF  
LR602SNF

7½" O.D.  
TRIPLE TUBE LAMP



## LENSED BAFFLE

LR604WWF  
LR604BWF  
LR604COCOF  
LR604NNF  
LR604MOMOF

TRIPLE TUBE  
7½" O.D.

## WALL WASH [REFLECTOR]

LR605WWF  
LR605CWF  
LR605SWF  
LR605SNF

7½" O.D.  
TRIPLE TUBE  
OR DTT LAMP



## WALL WASH [BAFFLE]

LR610WWF  
LR610BWF  
LR610NNF  
LR610SNF

TRIPLE TUBE  
OR DTT LAMP  
7½" O.D.

VERTICAL  
ARCHITECTURAL

1-LAMP



## LVH81

RECESSED SERIES

ENERGY EFFICIENT

HEAVY DUTY

DIE-CAST FITTINGS

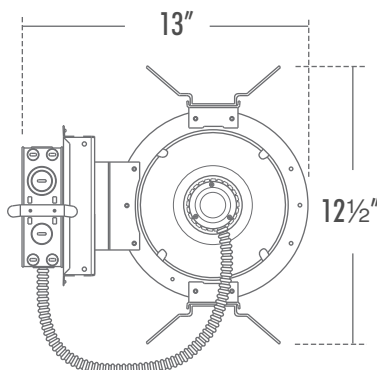
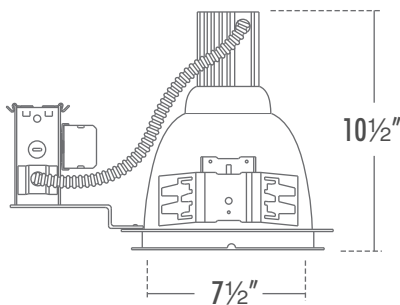
PREMIUM BALLAST

SELF-FLANGED TRIMS



EMERGENCY  
ADD "-EM" TO CAT #

DIMMING  
CAPABILITY



## LVH81

RECESSED SERIES

8-INCH RECESSED  
COMPACT FLUORESCENT

ARCHITECTURAL  
HOUSINGS AND TRIMS

## FEATURES

- ENERGY EFFICIENT
- ADJUSTABLE SOCKET CAP
- 120V/277V PREMIUM BALLAST
- ADJUSTABLE BAT WING BRACKETS
- SELF FLANGED IRRIDESCENCE FREE TRIMS
- DIE CAST FITTINGS
- EMERGENCY OPTION
- WIDE JUNCTION BOX
- DIMMING CAPABILITY
- MULTI-WATT HOUSING

## ORDERING

ORDERING EXAMPLE: **LVH8118ICUE/L270/LR801CWF**

--	--	--	--	--	--

HOUSING	LAMP [WATT.]	CEILING	BALLAST	VOLTAGE	OPTIONS
<b>LVH81</b>	13 : (1)13W 18 : (1)18W 26 : (1)26W 32 : (1)32W	BLANK : NON IC IC : INSULATED	UE : ELECTRONIC UD : UNIVERSAL [DIMMABLE] ADV-M7 : ADVANCE	BLANK : 120V-277V -347 : 347V	<u>HANGER BARS</u> /C260 : C-CHANNEL /L270 : LINEAR <u>EMERGENCY</u> /EM : EMERGENCY BALLAST WITH REMOTE TEST SWITCH /FS : FUSE
	42 : (1)42W 57 : (1)57W 70 : (1)70W	BLANK : NON IC	ADV-M10 : ADVANCE LUT-HL : LUTRON LUT-TW : LUTRON	-120 : 120V -27 : 277V	

\*\*\*\*\* NEW **MULTI-WATT** UNIVERSAL VOLTAGE 26W/32W/42W

<b>LVH81</b>	26-42 : MULTI-WATT (1)26W/32W/42W	BLANK : NON IC	UE : ELECTRONIC [ADVANCE] UD : UNIVERSAL [DIMMABLE]	BLANK : 120V-277V	
--------------	---	----------------	--	-------------------	--

MULTI-WATT



## EIGHT-INCH 1-LAMP VERTICAL • SELF-FLANGED

KEEPING UP WITH DEMANDS FOR **LARGER APERTURE**, HIGHER WATTAGE, AND MORE **STYLISH TRIMS**, LITON 8" COMPACT FLUORESCENT **VERTICAL HOUSINGS** ARE CAPABLE TO ACCEPT THE FOLLOWING TRIM STYLES. LITON'S **ARCHITECTURAL** RECESSED DOWNLIGHT SERIES IS AN IDEAL CHOICE FOR **EXCEPTIONAL QUALITY AND PERFORMANCE LIGHTING**



## REFLECTOR

**LR801WWF** **LR801CWF**  
**LR801SWF** **LR801SNF**

9" O.D. TRIPLE TUBE LAMP  
OR DTT LAMP



## CROSS BLADE

**LR806SNF** **LR806CWF**  
**LR806SWF** **LR806WWF**

TRIPLE TUBE LAMP 9" O.D.  
OR DTT LAMP

## REFLECTOR BAFFLE

**LR803WWF** **LR803NNF**  
**LR803MOMOF** **LR803BWF**  
**LR803COCOF**

9" O.D. TRIPLE TUBE LAMP  
OR DTT LAMP



## REFLECTOR BAFFLE

**LR803WWF** **LR803NNF**  
**LR803BWF** **LR803MOMOF**  
**LR803COCOF**

TRIPLE TUBE LAMP 9" O.D.  
OR DTT LAMP

## OPEN WALL WASH

**LR809CWF** **LR809CNF**

9" O.D. TRIPLE TUBE LAMP  
OR DTT LAMP



## OPEN WALL WASH

**LR809CWF** **LR809CNF**

TRIPLE TUBE LAMP 9" O.D.  
OR DTT LAMP

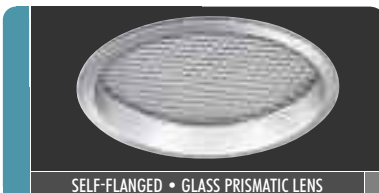
## ENERGIZE VISUAL ENVIRONMENT WHILE SAVING ENERGY ...

ENERGY EFFICIENT, AS WELL AS DECORATIVE, LITON HAS TAKEN A LEADERSHIP ROLE IN THE EIGHT INCH COMPACT FLUORESCENT ARENA. WITH AN ASSORTMENT OF HIGH QUALITY GLASS LENSES, COMBINED WITH BOTH REFLECTORS AND BAFFLES, DESIGNERS AND ARCHITECTS WILL FIND A FULL PALLETTE TO SATISFY ANY DESIGN CHALLENGE. THESE ELEMENTS HELP ENERGIZE THE VISUAL ENVIRONMENT AND PROVIDE AN IDEAL WAY OF ENHANCING THE SPACE.

## LENSED REFLECTOR

**LR802SNF** **LR802WWF**  
**LR802SWF** **LR802CWF**

9" O.D. TRIPLE TUBE LAMP  
OR DTT LAMP



## LENSED BAFFLE

**LR804WWF** **LR804NNF**  
**LR804BWF** **LR804MOMOF**  
**LR804COCOF**

TRIPLE TUBE LAMP 9" O.D.

## OPENDOME GLASS REFLECTOR

**LR831SWF-FR** **LR831WWF-FR**  
**LR831CWF-FR** **LR831SNF-FR**

9" O.D. TRIPLE TUBE LAMP  
OR DTT LAMP



## OPENDOME GLASS BAFFLE

**LR833WWF-FR** **LR833NNF-FR**  
**LR833BWF-FR** **LR833MOMOF-FR**

TRIPLE TUBE LAMP 9" O.D.  
OR DTT LAMP

## GLASS PINHOLE • STUDS

**LR8021CCF-FR** **LR8021WWF-FR**  
**LR8021CWF-FR** **LR8021SWF-FR**

9" O.D. TRIPLE TUBE LAMP  
OR DTT LAMP



## GLASS PANEL • STUDS

**LR882CCF-FR** **LR882SNF-FR**  
**LR882CWF-FR** **LR882SWF-FR**  
**LR882WWF-FR**

TRIPLE TUBE LAMP 9" O.D.  
OR DTT LAMP





ENERGY EFFICIENT COMPACT FLUORESCENT

TEN-INCH ARCHITECTURAL • 120V-277V

# LITON

VERTICAL  
ARCHITECTURAL

1-LAMP



## LVH91 RECESSED SERIES

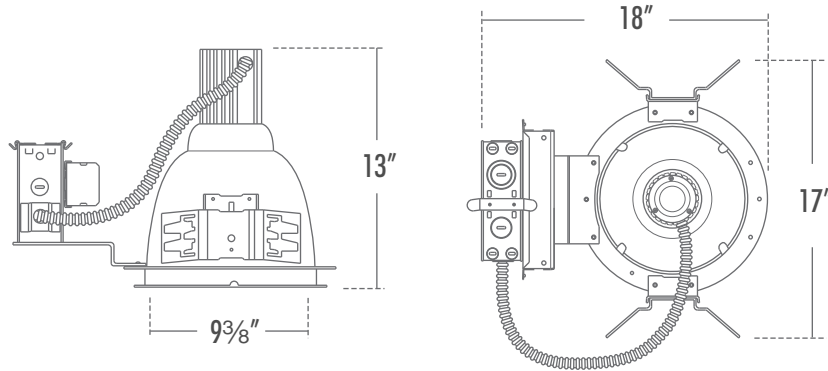
- ENERGY EFFICIENT
- HEAVY DUTY
- DIE-CAST FITTINGS
- PREMIUM BALLAST
- SELF-FLANGED TRIMS



EMERGENCY  
ADD "-EM" TO CAT #



DIMMING  
CAPABILITY



## LVH91 RECESSED SERIES

10-INCH RECESSED  
COMPACT FLUORESCENT

ARCHITECTURAL  
HOUSINGS AND TRIMS

## FEATURES

- ENERGY EFFICIENT
- ADJUSTABLE SOCKET CAP
- 120V/277V PREMIUM BALLAST
- ADJUSTABLE BAT WING BRACKETS
- SELF FLANGED IRIDESCENCE FREE TRIMS
- DIE CAST FITTINGS
- EMERGENCY OPTION
- WIDE JUNCTION BOX
- DIMMING CAPABILITY

### ORDERING

ORDERING EXAMPLE: **LVH9132UE/L270/LR901CWF**

--	--	--	--	--	--

HOUSING	LAMP [WATT.]	CEILING	BALLAST	VOLTAGE	OPTIONS
LVH91	32 : (1)32W	BLANK : NON IC	UE : ELECTRONIC	BLANK : 120V-277V -347 : 347V	HANGER BARS
	42 : (1)42W		UD : UNIVERSAL [DIMMABLE]		/C260 : C-CHANNEL
	57 : (1)57W		ADV-M7 : ADVANCE	-120 : 120V	/L270 : LINEAR
	70 : (1)70W		ADV-M10 : ADVANCE	-27 : 277V	EMERGENCY
			LUT-HL : LUTRON		/EM : EMERGENCY BALLAST WITH REMOTE TEST SWITCH
			LUT-TW : LUTRON		/FS : FUSE

TEN-INCH 1-LAMP VERTICAL • SELF-FLANGED

KEEPING UP WITH DEMANDS FOR LARGER APERTURE AND HIGHER WATTAGE TRIMS, LITON 10" COMPACT FLUORESCENT VERTICAL HOUSING SERIES IS AN IDEAL SOLUTION FOR EXCEPTIONAL QUALITY AND PERFORMANCE LIGHTING



<b>REFLECTOR</b>				<b>REFLECTOR</b>	
<b>LR901CCF</b>	<b>LR901CWF</b> <b>LR901SSF</b>			<b>LR901CCF</b>	<b>LR901CWF</b> <b>LR901SSF</b>
11" O.D.	TRIPLE TUBE LAMP	SELF-FLANGED • IRIDESCENCE-FREE	SELF-FLANGED • IRIDESCENCE-FREE	TRIPLE TUBE LAMP	11" O.D.

<b>REFLECTOR</b>		
<b>LR901CCF</b>	<b>LR901CWF</b> <b>LR901SSF</b>	
11" O.D.	TRIPLE TUBE LAMP	SELF-FLANGED • IRIDESCENCE-FREE



HORIZONTAL  
ARCHITECTURAL

**LFH61  
LFH62**  
RECESSED SERIES

ENERGY EFFICIENT  
HEAVY DUTY  
DIE-CAST FITTINGS  
PREMIUM BALLAST

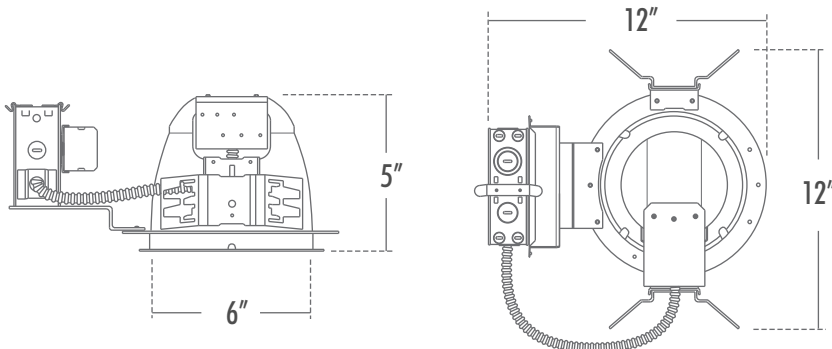
SELF-FLANGED TRIMS

1&2-LAMP



EMERGENCY  
ADD "-EM" TO CAT#

DIMMING  
CAPABILITY



## LFH61/LFH62 RECESSED SERIES

6-INCH RECESSED  
COMPACT FLUORESCENT

ARCHITECTURAL  
HOUSINGS AND TRIMS

## FEATURES

- ENERGY EFFICIENT
- ADJUSTABLE SOCKET CAP
- 120V/277V PREMIUM BALLAST
- ADJUSTABLE BAT WING BRACKETS
- SELF FLANGED IRIDESCENCE FREE TRIMS
- DIE CAST FITTINGS
- WIDE JUNCTION BOX
- EMERGENCY OPTION
- DIMMING CAPABILITY
- MULTI-WATT HOUSINGS AVAILABLE

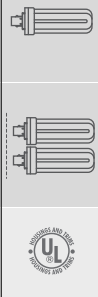
### ORDERING

ORDERING EXAMPLE: **LFH6132ICUE/L270/LR661CWF**

HOUSING	LAMP [WATT.]	CEILING	BALLAST	VOLTAGE	OPTIONS
1-LAMP	<b>LFH61</b> 26 : (1)26W 32 : (1)32W	BLANK : NON IC	<b>UE</b> : ELECTRONIC <b>UD</b> : UNIVERSAL [DIMMABLE]	<b>BLANK</b> : 120V-277V -347 : 347V	<u>HANGER BARS</u> /C260 : C-CHANNEL /L270 : LINEAR <u>EMERGENCY</u> /EM : EMERGENCY BALLAST WITH REMOTE TEST SWITCH /FS : FUSE
2-LAMP	<b>LFH62</b> 13 : (2)13W 18 : (2)18W 26 : (2)26W	BLANK : NON IC <b>IC</b> : INSULATED BLANK : NON IC	<b>ADV-M7</b> : ADVANCE <b>ADV-M10</b> : ADVANCE <b>LUT-HL</b> : LUTRON <b>LUT-TW</b> : LUTRON	-120 : 120V -27 : 277V	
***** NEW MULTI-WATT UNIVERSAL VOLTAGE *****					
1-LAMP	<b>LFH61</b> 13-26 : MULTI-WATT (1)13W/18W/26W	BLANK : NON IC	<b>UE</b> : ELECTRONIC [ROBERTSON]	<b>BLANK</b> : 120V-277V	
2-LAMP	<b>LFH62</b> 13-18 : MULTI-WATT (2)13W/18W				

**SIX-INCH 1-LAMP & 2-LAMP HORIZONTAL • SELF-FLANGED**

THESE ENERGY EFFICIENT COMPACT FLUORESCENT RECESSED DOWNLIGHTS ARE FOR USE WITH EITHER 1-LAMP OR 2-LAMP HORIZONTAL. PLEASE REFER TO THE ORDERING CHART ON THE PREVIOUS PAGE FOR HOUSING CATALOG NUMBERS AND ORDERING INFORMATION.



**REFLECTOR**

LR661WWF LR661CWF  
LR661SWF LR661SNF

7½" O.D. DTT LAMP



**REFLECTOR BAFFLE**

LR663WWF LR663NNF  
LR663MOMOF LR663BWF  
LR663COCOF

DTT LAMP 7½" O.D.

**REFLECTOR**

LR661WWF LR661CWF  
LR661SWF LR661SNF

7½" O.D. DTT LAMP



**REFLECTOR BAFFLE**

LR663WWF LR663NNF  
LR663MOMOF LR663BWF  
LR663COCOF

DTT LAMP 7½" O.D.

**WALL WASH**

LR665NWF LR665WWF  
LR665BWF LR665NNF  
LR665MOMOF

7½" O.D. DTT LAMP



**WALL WASH BAFFLE**

LR665NWF LR665WWF  
LR665BWF LR665NNF  
LR665MOMOF

DTT LAMP 7½" O.D.

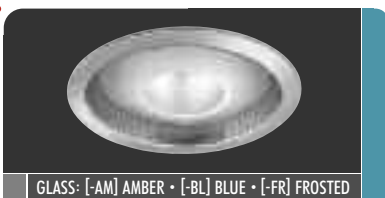
**ALL LITON ARCHITECTURAL REFLECTORS ARE SELF-FLANGED + IRIDESCENCE-FREE**

TO ENSURE THE HIGHEST PERFORMANCE, LITON'S ARCHITECTURAL REFLECTORS ARE SELF-FLANGED AND IRIDESCENCE-FREE. THESE HEAVY DUTY RECESSED TRIMS ARE AVAILABLE IN MANY SIZES AND STYLES TO ACCOMMODATE ANY PROJECT.

**OPENDOME GLASS REFLECTOR**

LR641WWF-FR LR641CWF-FR  
LR641SNF-FR LR641CNF-FR

7½" O.D. DTT LAMP



**OPENDOME GLASS BAFFLE**

LR643BWF-FR LR643WWF-FR  
LR643NNF-FR LR643MOMOF-FR

DTT LAMP 7½" O.D.

**GLASS PINHOLE • STUDS**

LR6641CCF-FR LR6641WWF-FR  
LR6641CWF-FR LR6641SWF-FR

7½" O.D. DTT LAMP



**CROSS BLADE**

LR668WWF LR668CWF  
LR668CNF LR668SNF

DTT LAMP 7½" O.D.

**LENSED REFLECTOR**

LR662WWF LR662CWF  
LR662SNF LR662CNF

7½" O.D. TRIPLE TUBE LAMP



**LENSED BAFFLE**

LR664BWF LR664NNF  
LR664WWF LR664MOMOF  
LR664COCOF

TRIPLE TUBE LAMP 7½" O.D.

HORIZONTAL  
ARCHITECTURAL

**LWH61  
LWH62**  
RECESSED SERIES

- ENERGY EFFICIENT
- HEAVY DUTY
- DIE-CAST FITTINGS
- PREMIUM BALLAST

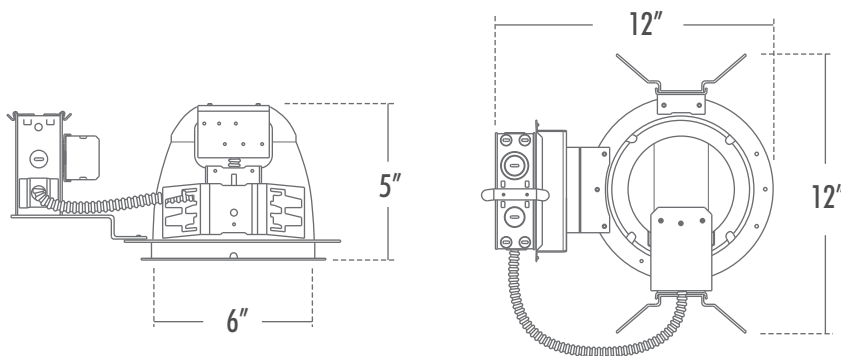
1&2-LAMP



EMERGENCY  
ADD "-EM" TO CAT#



DIMMING  
CAPABILITY



## LWH61/LWH62 RECESSED SERIES

6-INCH RECESSED  
COMPACT FLUORESCENT

ARCHITECTURAL  
HOUSINGS AND TRIMS

## FEATURES

- ENERGY EFFICIENT
- ADJUSTABLE SOCKET CAP
- 120V/277V  
**PREMIUM BALLAST**
- ADJUSTABLE BAT WING BRACKETS
- IRIDESCENCE FREE TRIMS
- DIE CAST FITTINGS**
- EMERGENCY OPTION
- WIDE JUNCTION BOX
- DIMMING CAPABILITY**

## ORDERING

ORDERING EXAMPLE: **LWH6218UE/L270/LR669C**

--	--	--	--	--	--

HOUSING	LAMP [WATT.]	CEILING	BALLAST	VOLTAGE	OPTIONS
1-LAMP <b>LWH61</b>	18 : (1)18W	<b>BLANK</b> : NON IC	<b>UE</b> : ELECTRONIC <b>UD</b> : UNIVERSAL [DIMMABLE] <b>ADV-M7</b> : ADVANCE	<b>BLANK</b> : 120V-277V <b>-347</b> : 347V	<b>HANGER BARS</b> <b>/C260</b> : C-CHANNEL <b>/L270</b> : LINEAR <b>EMERGENCY</b> <b>/EM</b> : EMERGENCY BALLAST WITH REMOTE TEST SWITCH <b>/FS</b> : FUSE
	26 : (1)26W				
2-LAMP <b>LWH62</b>	13 : (2)13W		<b>ADV-M10</b> : ADVANCE <b>LUT-HL</b> : LUTRON <b>LUT-TW</b> : LUTRON	<b>-120</b> : 120V <b>-27</b> : 277V	
	18 : (2)18W				
	26 : (2)26W				



SIX-INCH WALL WASH RECESSED LIGHTING

WHEN GRAZING WALLS, WALL WASHING, OR HIGH-LIGHTING A CORNER, THERE IS NO BETTER CHOICE IN THE INDUSTRY THAN LITON'S WALL WASH SERIES. SELF-FLANGED, IRIDESCENCE-FREE WALL WASH REFLECTOR TRIMS DELIVER HIGH QUALITY LIGHTING WITHOUT COMPROMISE. AVAILABLE IN MANY ATTRACTIVE COLOR COMBINATIONS.



WALL WASH [REFLECTOR]

LR669W LR669SN  
LR669CN LR669C

7½" O.D. DTT LAMP



IRIDESCENCE-FREE



IRIDESCENCE-FREE

WALL WASH [REFLECTOR]

LR669W LR669SN  
LR669CN LR669C

DTT LAMP 7½" O.D.

WALL WASH [REFLECTOR]

LR669W LR669SN  
LR669CB LR669C

7½" O.D. DTT LAMP



IRIDESCENCE-FREE



IRIDESCENCE-FREE

WALL WASH [REFLECTOR]

LR669W LR669SN  
LR669CN LR669C

DTT LAMP 7½" O.D.

OPEN WALL WASH

LR659CWF LR659CNF

7½" O.D. DTT LAMP



SELF-FLANGED • IRIDESCENCE-FREE



SELF-FLANGED • IRIDESCENCE-FREE

OPEN WALL WASH

LR659CWF LR659CNF

DTT LAMP 7½" O.D.



HORIZONTAL  
ARCHITECTURAL

2-LAMP



**LSH82**  
RECESSED SERIES

ENERGY EFFICIENT

HEAVY DUTY

SHALLOW PROFILE

DIE-CAST FITTINGS

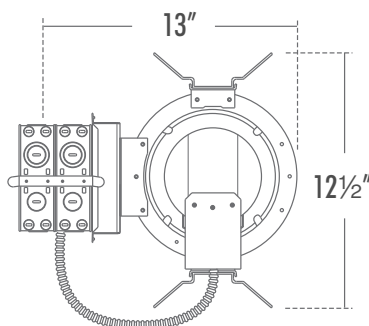
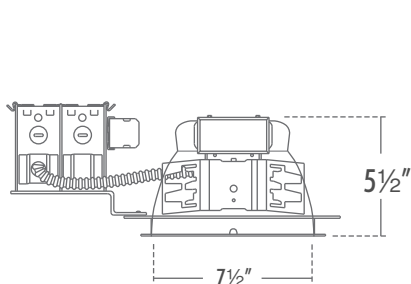
PREMIUM BALLAST

SELF-FLANGED TRIMS



EMERGENCY  
ADD "-EM" TO CAT#

DIMMING  
CAPABILITY



**LSH82**  
RECESSED SERIES

**8-INCH RECESSED  
COMPACT FLUORESCENT**

**SHALLOW ARCHITECTURAL  
HOUSINGS AND TRIMS**

**FEATURES**

- ENERGY EFFICIENT
- SHALLOW PROFILE
- ADJUSTABLE SOCKET CAP
- 120V/277V PREMIUM BALLAST
- ADJUSTABLE BAT WING BRACKETS
- SELF FLANGED IRIDESCENCE FREE TRIMS
- DIE CAST FITTINGS
- EMERGENCY OPTION
- WIDE JUNCTION BOX
- DIMMING CAPABILITY

**ORDERING**

ORDERING EXAMPLE: **LSH8218UE/L270/LR8061CWF**

--	--	--	--	--	--

HOUSING	LAMP [WATT.]	CEILING	BALLAST	VOLTAGE	OPTIONS
<b>LSH82</b>	13 : (2)13W	<b>BLANK</b> : NON IC	<b>UE</b> : ELECTRONIC	<b>BLANK</b> : 120V-277V -347 : 347V	<b>HANGER BARS</b>
	18 : (2)18W		<b>UD</b> : UNIVERSAL [DIMMABLE]		<b>/C260</b> : C-CHANNEL
	26 : (2)26W		<b>ADV-M7</b> : ADVANCE	<b>/L270</b> : LINEAR	
	32 : (2)32W		<b>ADV-M10</b> : ADVANCE	<b>EMERGENCY</b>	
42 : (2)42W	<b>LUT-HL</b> : LUTRON	<b>LUT-TW</b> : LUTRON	<b>-120</b> : 120V <b>-27</b> : 277V	<b>/EM</b> : EMERGENCY BALLAST WITH REMOTE TEST SWITCH	<b>/FS</b> : FUSE

**EIGHT-INCH 2-LAMP SHALLOW HORIZONTAL • SELF-FLANGED**



<b>REFLECTOR</b>	
LR8061WWF	<b>LR8061SNF</b>
LR8061CWF	LR8061SWF
9" O.D.	DTT LAMP



<b>REFLECTOR</b>	
LR8061WWF	LR8061SNF
<b>LR8061CWF</b>	LR8061SWF
DTT LAMP	9" O.D.

<b>REFLECTOR</b>	
<b>LR8061WWF</b>	LR8061SNF
LR8061CWF	LR8061SWF
9" O.D.	DTT LAMP



<b>CROSS BLADE</b>	
LR8068WWF	LR8068CWF
LR8068SWF	<b>LR8068SNF</b>
DTT LAMP	9" O.D.

**ALL LITON ARCHITECTURAL REFLECTORS ARE SELF-FLANGED + IRIDESCENCE-FREE**

TO ENSURE THE HIGHEST PERFORMANCE, LITON'S ARCHITECTURAL REFLECTORS ARE SELF-FLANGED AND IRIDESCENCE-FREE. THESE HEAVY DUTY RECESSED TRIMS ARE AVAILABLE IN MANY SIZES AND STYLES TO ACCOMMODATE ANY PROJECT.



<b>REFLECTOR BAFFLE</b>	
<b>LR8063WWF</b>	LR8063NNF
LR8063BWF	LR8063MOMOF
LR8063COCOF	
DTT LAMP	9" O.D.



<b>REFLECTOR BAFFLE</b>	
LR8063WWF	<b>LR8063NNF</b>
LR8063BWF	LR8063MOMOF
LR8063COCOF	
DTT LAMP	9" O.D.



HORIZONTAL  
ARCHITECTURAL

**LFH81  
LFH82**

RECESSED SERIES

ENERGY  
EFFICIENT  
HEAVY DUTY  
PREMIUM  
BALLAST

SELF-FLANGED  
TRIMS



EMERGENCY  
ADD "-EM" TO CAT#

DIMMING  
CAPABILITY



**NEW!**

ADJUSTABLE  
BAT-WING  
BRACKETS

IRIDESCENCE-FREE HIGH-ZAK  
SELF-FLANGED REFLECTOR

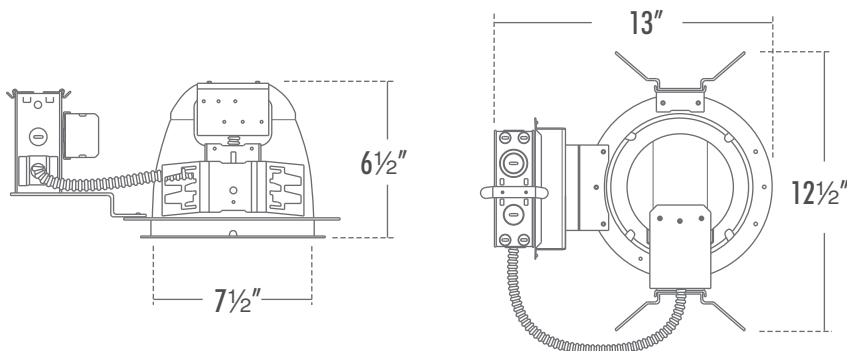
PREMIUM  
120V/277V  
BALLAST

DOUBLE-SIZED  
JUNCTION BOX

1&2-LAMP



# LITON



**LFH81/LFH82**  
RECESSED SERIES

**8-INCH RECESSED  
COMPACT FLUORESCENT**

**ARCHITECTURAL  
HOUSINGS AND TRIMS**

## FEATURES

- ENERGY EFFICIENT
- ADJUSTABLE SOCKET CAP
- 120V/277V  
**PREMIUM BALLAST**
- ADJUSTABLE BAT WING  
BRACKETS
- **SELF FLANGED**  
IRIDESCENCE FREE TRIMS
- **DIE CAST FITTINGS**
- EMERGENCY OPTION
- WIDE JUNCTION BOX
- **DIMMING CAPABILITY**

## ORDERING

ORDERING EXAMPLE: **LFH8142UE/L270/LR861CWF**

--	--	--	--	--	--

HOUSING	LAMP [WATT.]	CEILING	BALLAST	VOLTAGE	OPTIONS
1-LAMP <b>LFH81</b>	32 : (1)32W 42 : (1)42W	BLANK : NON IC	<b>UE</b> : ELECTRONIC <b>UD</b> : UNIVERSAL (DIMMABLE)	<b>BLANK</b> : 120V-277V <b>-347</b> : 347V	<b>HANGER BARS</b> <b>/C260</b> : C-CHANNEL <b>/L270</b> : LINEAR <b>EMERGENCY</b> <b>/EM</b> : EMERGENCY BALLAST WITH REMOTE TEST SWITCH <b>/FS</b> : FUSE
	2-LAMP <b>LFH82</b>	13 : (2)13W 18 : (2)18W	BLANK : NON IC <b>IC</b> : INSULATED		
26 : (2)26W 32 : (2)32W 42 : (2)42W		BLANK : NON IC	<b>ADV-M10</b> : ADVANCE <b>LUT-HL</b> : LUTRON <b>LUT-TW</b> : LUTRON	<b>-120</b> : 120V <b>-27</b> : 277V	

**EIGHT-INCH** 1-LAMP & 2-LAMP HORIZONTAL • SELF-FLANGED

THESE ENERGY EFFICIENT COMPACT FLUORESCENT RECESSED DOWNLIGHTS ARE FOR USE WITH EITHER 1-LAMP OR 2-LAMP HORIZONTAL. PLEASE REFER TO THE ORDERING CHART ON THE PREVIOUS PAGE FOR HOUSING CATALOG NUMBERS AND ORDERING INFORMATION.

**REFLECTOR**

**LR861WWF** **LR861SNF**  
**LR861CWF** **LR861SWF**

9" O.D. TRIPLE TUBE  
DTT LAMP

**REFLECTOR BAFFLE**

**LR863WWF** **LR863NNF**  
**LR863BWF** **LR863MOMOF**  
**LR863COCOF**

TRIPLE TUBE 9" O.D.  
DTT LAMP

**REFLECTOR**

**LR861WWF** **LR861SNF**  
**LR861CWF** **LR861SWF**

9" O.D. TRIPLE TUBE  
DTT LAMP



**LR863WWF** **LR863NNF**  
**LR863BWF** **LR863MOMOF**  
**LR863COCOF**

TRIPLE TUBE 9" O.D.  
DTT LAMP

**REFLECTOR**

**LR861WWF** **LR861SNF**  
**LR861CWF** **LR861SWF**

9" O.D. TRIPLE TUBE  
DTT LAMP

**CROSS BLADE**

**LR868WWF** **LR868CWF**  
**LR868SWF** **LR868SNF**

TRIPLE TUBE 9" O.D.  
DTT LAMP

**ECONOMICAL AND VERSATILE LIKE NO OTHER . . .**

IN TODAY'S WORLD, WHEN ENERGY SAVINGS ARE A MUST, AND MAINTENANCE MUST BE KEPT TO A MINIMUM, LITON'S COMPACT FLUORESCENT RECESSED LIGHTING COLLECTION IS THE CHOICE OF ENGINEERS, ARCHITECTS AND OWNERS. DIFFERENT WATTAGE, STYLES, COLORS, AND LAMP SOURCES MAKE THIS SERIES THE MOST ECONOMICAL, YET VERSATILE FOR TODAY'S DESIGN STANDARDS.

**GLASS PINHOLE • STUDS**

**LR8621CCF-FR** **LR8621WWF-FR**  
**LR8621CWF-FR** **LR8621SWF-FR**

9" O.D. TRIPLE TUBE  
DTT LAMP

**GLASS PANEL • STUDS**

**LR894CCF-FR** **LR894SNF-FR**  
**LR894CWF-FR** **LR894SWF-FR**  
**LR894WWF-FR**

TRIPLE TUBE 9" O.D.  
DTT LAMP

**LENSED REFLECTOR**

**LR862WWF** **LR862CWF**  
**LR862SNF** **LR862SWF**

9" O.D. TRIPLE TUBE  
DTT LAMP

**LENSED BAFFLE**

**LR864WWF** **LR864NNF**  
**LR864BWF** **LR864MOMOF**  
**LR864COCOF**

TRIPLE TUBE 9" O.D.  
DTT LAMP

**OPENDOME GLASS BAFFLE**

**LR843WWF-FR** **LR843NNF-FR**  
**LR843BWF-FR** **LR843BNF-FR**  
**LR843MOMOF-FR**

9" O.D. TRIPLE TUBE  
DTT LAMP

**OPENDOME GLASS REFLECTOR**

**LR841WWF-FR** **LR841CWF-FR**  
**LR841SNF-FR** **LR841SWF-FR**  
**LR841CNF-FR**

TRIPLE TUBE 9" O.D.  
DTT LAMP



HORIZONTAL  
ARCHITECTURAL

**LWH81  
LWH82**  
RECESSED SERIES

ENERGY  
EFFICIENT  
HEAVY DUTY  
PREMIUM  
BALLAST

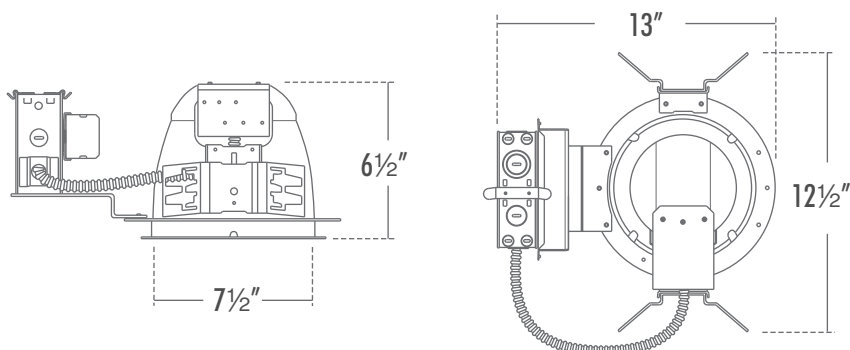
1&2-LAMP



EMERGENCY  
ADD "-EM" TO CAT #



DIMMING  
CAPABILITY



**LWH81/LWH82**  
RECESSED SERIES

8-INCH RECESSED  
COMPACT FLUORESCENT

ARCHITECTURAL  
HOUSINGS AND TRIMS

## FEATURES

- ENERGY EFFICIENT
- ADJUSTABLE SOCKET CAP
- 120V/277V PREMIUM BALLAST
- ADJUSTABLE BAT WING BRACKETS
- IRIDESCENCE FREE TRIMS
- DIE CAST FITTINGS
- EMERGENCY OPTION
- WIDE JUNCTION BOX
- DIMMING CAPABILITY

## ORDERING

ORDERING EXAMPLE: **LWH8132UE/L270/LR889C**

--	--	--	--	--	--

HOUSING	LAMP [WATT.]	CEILING	BALLAST	VOLTAGE	OPTIONS
1-LAMP <b>LWH81</b>	18 : (1)18W	<b>BLANK</b> : NON IC	<b>UE</b> : ELECTRONIC <b>UD</b> : UNIVERSAL [DIMMABLE] <b>ADV-M7</b> : ADVANCE	<b>BLANK</b> : 120V-277V <b>-347</b> : 347V	<u>HANGER BARS</u> <b>/C260</b> : C-CHANNEL <b>/L270</b> : LINEAR <u>EMERGENCY</u> <b>/EM</b> : EMERGENCY BALLAST WITH REMOTE TEST SWITCH <b>/FS</b> : FUSE
	26 : (1)26W				
	32 : (1)32W				
2-LAMP <b>LWH82</b>	13 : (2)13W		<b>ADV-M10</b> : ADVANCE <b>LUT-HL</b> : LUTRON <b>LUT-TW</b> : LUTRON	<b>-120</b> : 120V <b>-27</b> : 277V	
	18 : (2)18W				
	26 : (2)26W				

**EIGHT-INCH WALL WASH RECESSED LIGHTING**

WHEN GRAZING WALLS, WALL WASHING, OR HIGH-LIGHTING A CORNER, THERE IS NO BETTER CHOICE IN THE INDUSTRY THAN **LITON'S WALL WASH SERIES**. SELF-FLANGED, IRIDESCENCE-FREE WALL WASH REFLECTOR TRIMS DELIVER HIGH QUALITY LIGHTING WITHOUT COMPROMISE. AVAILABLE IN MANY ATTRACTIVE COLOR COMBINATIONS.



**WALL WASH [REFLECTOR]**

LR889W      LR889SN  
LR889CN      LR889C

9" O.D.      DTT LAMP



**WALL WASH [REFLECTOR]**

LR889W      LR889SN  
LR889CN      LR889C

DTT LAMP      9" O.D.

**WALL WASH [REFLECTOR]**

LR889W      LR889SN  
LR889CB      LR889C

9" O.D.      DTT LAMP



**WALL WASH [REFLECTOR]**

LR889W      LR889SN  
LR889CN      LR889C

DTT LAMP      9" O.D.

**OPEN WALL WASH**

LR859CWF      LR859CNF

9" O.D.      DTT LAMP

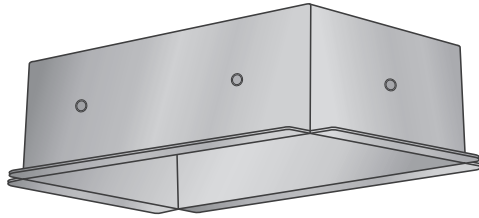


**OPEN WALL WASH**

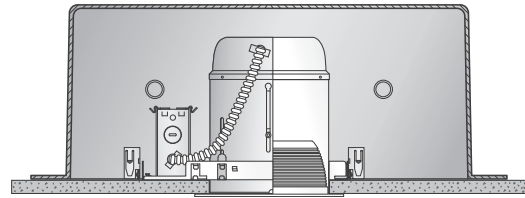
LR859CWF      LR859CNF

DTT LAMP      9" O.D.





INSTALLATION POSITION • SHOWN WITH 6" HOUSING



This galvanized welded steel enclosure (**LFB2012**) is rated (able) for one-hour resistance to active fire.

**LFB2012** enclosure is designed for use with both existing and new installation of Recessed Luminaires.

Liton's **LFB2012** fulfills the required 1-hour- fire-resistance-rating, to operate as an active fire wall, with less effort.

**FEATURES**

- 24GA Galvanized welded steel constructed body
- 4 flanges with 3/16" nail/screw openings
- 16" / 24" (apart) joist/stud applicable
- (6) 1/2" knockouts provided for wire access
- UL/NFPA/ASTM evaluated & certified by ETL

**COMPATIBILITIES**

COMPACT FLUORESCENT

- 4", 5", 6" Standard Energy Saving LH/LFH/LVH IC / Non IC Series Housing
- 6", 8" LH/LFH/LWH Horizontal Commercial/ Architectural Frame-in Luminaires

----- NOT FOR USE WITH:

- Double Wall IC Luminaires
- Emergency Luminaires
- Commercial / Architectural LVH 8 Vertical Series

**INSTALLATION**

The **LFB2012** requires a minimum of 9 1/2" Steel Stud or Wood Joist, and must be spaced either 16" or 24" apart. The Luminaire affixes to the interior of the Fire Barrier, **LFB2012** using self-tapping screws.

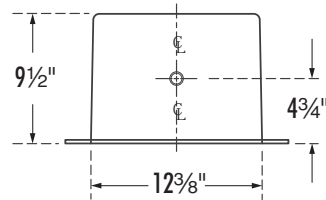
**OPERATION**

Liton's **LFB2012** acts as a physical barrier to stop the progress of an active fire. This one-hour minimum rating enclosure meets that of a typical 5/8" drywall barrier.

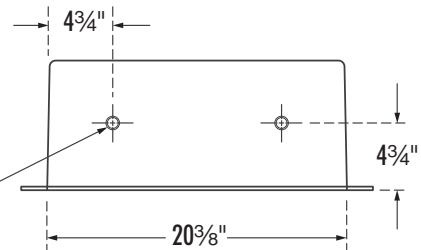
This unit eliminates the requirement to specify more costly fire rated luminaires and labor, such as, hand constructed drywall enclosures - Which normally are not consistent or uniform in their construction, as well as their ability to maintain the fire stop.

**DIMENSIONS**

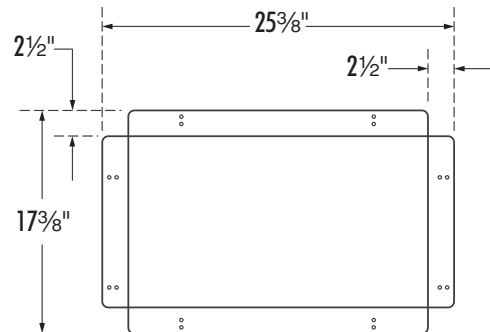
**FRONT VIEW**



**SIDE VIEW**



**TOP VIEW**



**STANDARD APPROVALS**

- ASTM-E119-00a
- NFPA 251
- UL 263
- ASI A2.1
- UBC 7-1

# alpha-numerical index

## index

LFB2012	46	LH276R-218E	15	LH5118ICAE	10	LR482	29	LR916	19	LSH276RICA-213E	12
LFH61 SERIES	36	LH276R-218UD	15	LH5118RE	10	LR531	11	LR922	9	LSH82 SERIES	40
LFH62 SERIES	36	LH276RIC	14	LH5118RICAE	10	LR541	11	LR923	9	LSH99P	6
LFH81 SERIES	42	LH276RICAE	14	LH5118RUD	10	LR542	11	LR924	9	LSH99PE	6
LFH82 SERIES	42	LH276RICA-18E	14	LH5118UD	10	LR543	11	LR925	9	LSH99PICAE	6
LFH126E	24	LH276RICA-18UD	14	LH5126E	10	LR546	11	LR926	9	LSH99PRE	6
LFH126ICE	24	LH276RICA-26E	14	LH5126ICAE	10	LR601	23, 31	LR942	8	LSH99PRICAE	6
LFH126ICUD	24	LH276RICA-26UD	14	LH5126RE	10	LR602	23, 31	LR944	7	LSH99R	6
LFH126UD	24	LH276RICA-32E	14	LH5126RICAE	10	LR603	23, 31	LR946	8	LXH41 SERIES	28
LFH132E	24	LH276RICA-32UD	14	LH5126RUD	10	LR604	23, 31	LR953	8	LXH61 SERIES	30
LFH132ICE	24	LH276RICA-213	15	LH5126UD	10	LR605	23, 31	LR954	8	LXH613E	22
LFH132ICUD	24	LH276RICA-213E	15	LH5132E	10	LR609	31	LR963	8	LXH613UD	22
LFH132UD	24	LH276RICA-213UD	15	LH5132ICAE	10	LR610	23, 31	LR993	7	LXH618E	22
LFH213E	24	LH33PAE	5	LH5132RE	10	LR631	31	LR999	7	LXH618UD	22
LFH213ICE	24	LH33PICAE	5	LH5132RICAE	10	LR633	31	LR6021	31	LXH626E	22
LFH213ICUD	24	LH47-113	18	LH5132RUD	10	LR641	25, 37	LR6641	37	LXH626UD	22
LFH213UD	24	LH47-113E	18	LH5132UD	10	LR643	25, 37	LR8021	33	LXH632E	22
LFH218E	24	LH47-118E	18	LH99P	6	LR659	39	LR8061	41	LXH632UD	22
LFH218ICE	24	LH47-118UD	18	LH99P-18E	6	LR661	25, 37	LR8063	41	LXH642E	22
LFH218ICUD	24	LH47-126E	18	LH99P-18UD	6	LR662	25, 37	LR8068	41	LXH642UD	22
LFH218UD	24	LH47-126UD	18	LH99P-26E	6	LR663	25, 37	LR8621	43	LXH81 SERIES	32
LH276-18E	14	LH47-132E	18	LH99P-26UD	6	LR664	25, 37	LRA42	15	LXH91 SERIES	34
LH276-18UD	14	LH47-132UD	18	LH99PE	6	LR665	25, 37	LRA43	15	LWH61 SERIES	38
LH276-26E	14	LH47-213	18	LH99PICAE	6	LR667	25	LRA366	13	LWH62 SERIES	38
LH276-26UD	14	LH47-213E	18	LH99PR	6	LR668	25, 37	LRA377	13	LWH81 SERIES	44
LH276-32E	14	LH47-213UD	18	LH99PRE	6	LR669	39	LRA380	13	LWH82 SERIES	44
LH276-32UD	14	LH47-218E	18	LH99PRICAE	6	LR801	33	LRA449	13		
LH276-218E	15	LH47-218UD	18	LH99PUD	6	LR802	33	LRA470	13		
LH276-2642E	14	LH47R-113	18	LR12	13, 17	LR803	33	LRS12	17		
LH276IC	14	LH47R-113E	18	LR13	13, 17	LR804	33	LRS13	17		
LH276ICAE	14	LH47R-118E	18	LR14	13, 17	LR806	33	LRS14	17		
LH276ICA-18E	14	LH47R-118UD	18	LR16	13, 17	LR809	33	LRS16	17		
LH276ICA-18UD	14	LH47R-126E	18	LR21	13	LR831	33	LRS95	15		
LH276ICA-26E	14	LH47R-126UD	18	LR99	15	LR833	33	LRS101	15		
LH276ICA-26UD	14	LH47R-132E	18	LR331	5	LR841	43	LRS105	15		
LH276ICA-32E	14	LH47R-132UD	18	LR332	5	LR843	43	LRS922	9		
LH276ICA-32UD	14	LH47R-213	18	LR366	16	LR859	45	LRS923	9		
LH276ICA-213	15	LH47R-213E	18	LR370	16	LR861	43	LRS924	9		
LH276ICA-213E	15	LH47R-213UD	18	LR377	16	LR862	43	LRS925	9		
LH276ICA-213UD	15	LH47R-218E	18	LR380	16	LR863	43	LRS926	9		
LH276ICA-218E	15	LH47R-218UD	18	LR401	29	LR864	43	LRS935	8		
LH276ICA-218UD	15	LH5113	10	LR402	29	LR868	43	LSH276A-213	12		
LH276R-18E	14	LH5113E	10	LR403	29	LR882	33	LSH276A-213E	12		
LH276R-18UD	14	LH5113ICAE	10	LR404	29	LR889	45	LSH276A-218E	12		
LH276R-26E	14	LH5113R	10	LR449	16	LR894	43	LSH276ICA-213E	12		
LH276R-26UD	14	LH5113RE	10	LR466	29	LR901	35	LSH276RA-213	12		
LH276R-32E	14	LH5113RICAE	10	LR477	29	LR903	19	LSH276RA-213E	12		
LH276R-32UD	14	LH5118E	10	LR470	16	LR909	7	LSH276RA-218E	12		

**RECESSED LIGHTING** • TRACK LIGHTING • ARCHITECTURAL LIGHTING  
EXIT SIGNS AND EMERGENCY LIGHTING • MICRO-CAST SERIES  
MINIATURE RECESSED • DURALIGHT SERIES • FLEXICURVE SERIES  
ARCHITECTS AND DESIGNERS SERIES • UNDER CABINET LIGHTING  
SPECIALTY LIGHTING • PENDALIER SERIES • H.I.D. - HIGH INTENSITY DISCHARGE

COMPACT FLUORESCENT

COMPACT FLUORESCENT

COMPACT FLUORESCENT



ENERGY EFFICIENT SERIES

ENERGY EFFICIENT SERIES

ENERGY EFFICIENT SERIES

**LITON**  
WWW.LITON.COM

LOS ANGELES • CHICAGO • NEW YORK

PHONE 1 800 515 4880 • [323] 904 0200  
FAX 1 800 972 4880 • [323] 904 0201

A DIVISION OF **EEMA**® LIGHTING GROUP

© 2007-2008 LITON LIGHTING

THE PRODUCTS IN THIS CATALOG ARE COVERED BY U.S. AND  
INTERNATIONAL PATENTS AND PATENTS PENDING

MADE AND PRINTED IN THE USA

SPECIFICATIONS SUBJECT TO CHANGE WITHOUT NOTICE

MEMBER OF



MEMBER OF

