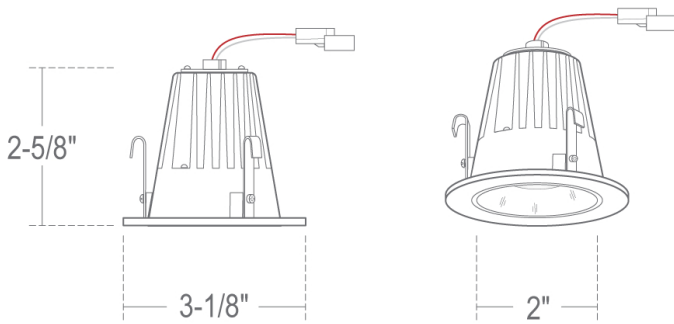


## LRLD1221 - SMOOTH REFLECTOR 2" 10W SERIES



### SPECIFICATION

10W LED

**Application:** This miniature general purpose LED trim is perfect for low to medium height ceilings in residential and light commercial applications. Its small aperture makes it ideal for strategic placement where space is limited and energy savings is important.

**Power Connection:** LED heat sinked lamp module is replaceable via onboard quick exclusionary disconnect terminal. No tools required. Meets CA Title 24 Requirements and other standards restricting the use of Medium Base or Bi-Pin Sockets.

**Lumen Maintenance:** Minimum 50,000 hours L70 life based on ANSI TM-21 calculations from LM80 standardized test results.

**Thermal Management:** Effective thermal dissipation facilitated by integral cast-aluminum, finned heat sink design for maximum heat rejection to provide long LED life.

**Mounting:** Steel pressure springs mounted on trim to ensure positive retention inside housing.

**Color Temperature:** Comes standard with 3,000K Warm White LED's binned according to ANSI C78 377A for color temperature and chromaticity ranges. Available with 4,000K. To order use "-T" Suffix followed by color temperature. Example 4000K= T40. Consult factory as extended lead times and minimum order quantities apply.



**Warranty:** Covered by a 3 Year Warranty to be free of defects in materials and craftsmanship. Recommended for applications where ambient temperatures do not exceed 35°C, installations exceeding this temperature will result in reduced LED lamp life and a voided warranty.

**Wet Location:** Suitable for Wet Location Installations.

**Finish:** Available in White, Black and Natural\*.

**Label:** cETL Listed

### COMPATIBILITY

		
LHLD29C20	LHLD21CA9C20	LHLD2R9C20
NEW CONSTRUCTION	INSULATION CONTACT (AIRTIGHT)	REMODEL

Note: Wattage limitations on compatible items must be met.

#### LED Details:

~10W 700 + Lumens Delivered

Color Rendering Index (CRI): 90

Color Temperature: 3,000K

Lamp Equivalents: 75W A19, 50W PAR20 FL, 50W MR16 FL

#### Benefit:

- Dual purpose New construction housing includes plaster frame
- Driver mounted on external J-Box for cooler LED operation

2016-11-9

### FEATURE:



ORDERING EXAMPLE : LRLD1221W

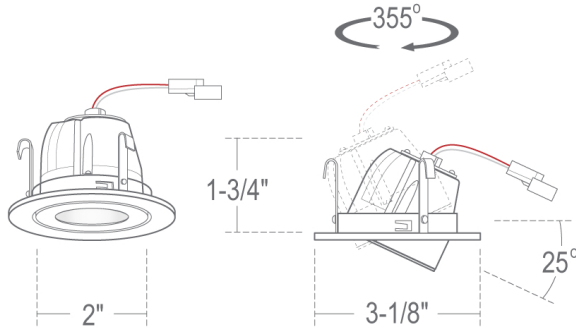
LRLD1221	FINISH
LRLD1221	<b>W</b> :White
	<b>B</b> :Black
	<b>N</b> :Natural*

\* Special Order

ID#: 3081



## LRLD1288 - ADJUSTABLE GIMBAL 2" 10W SERIES



### SPECIFICATION

10W LED

**Application:** This miniature general purpose LED trim is perfect for low to medium height ceilings in residential and light commercial applications. Its small aperture makes it ideal for strategic placement where space is limited and energy savings is important.

**Power Connection:** LED heat sinked lamp module is replaceable via onboard quick exclusionary disconnect terminal. No tools required. Meets CA Title 24 Requirements and other standards restricting the use of Medium Base or Bi-Pin Sockets.

**Lumen Maintenance:** Minimum 50,000 hours L70 life based on ANSI TM-21 calculations from LM80 standardized test results.

**Thermal Management:** Effective thermal dissipation facilitated by integral cast-aluminum, finned heat sink design for maximum heat rejection to provide long LED life.

**Mounting:** Steel pressure springs mounted on trim to ensure positive retention inside housing.

**Color Temperature:** Comes standard with 3,000K Warm White LED's binned according to ANSI C78 377A for color temperature and chromaticity ranges. Available with 4,000K. To order use "-T" Suffix followed by color temperature. Example 4000K= T40. Consult factory as extended lead times and minimum order quantities apply.




**Warranty:** Covered by a 3 Year Warranty to be free of defects in materials and craftsmanship. Recommended for applications where ambient temperatures do not exceed 35°C, installations exceeding this temperature will result in reduced LED lamp life and a voided warranty.

Suitable for Damp locations

**Finish:** Available in White, Black and Natural\*.

**Label:** cETL Listed

### COMPATIBILITY

		
<b>LHLD29C20</b>	<b>LHLD21CA9C20</b>	<b>LHLD2R9C20</b>
<b>NEW CONSTRUCTION</b>	<b>INSULATION CONTACT (AIRTIGHT)</b>	<b>REMODEL</b>

Note: Wattage limitations on compatible items must be met.

#### LED Details:

~10W 700 + Lumens Delivered

Color Rendering Index (CRI): 90

Color Temperature: 3,000K

Lamp Equivalents: 75W A19, 50W PAR20 FL, 50W MR16 FL

#### Benefit:

- Dual purpose New construction housing includes plaster frame
- Driver mounted on external J-Box for cooler LED operation

2016-11-9

### FEATURE:



ORDERING EXAMPLE : LRLD1288W

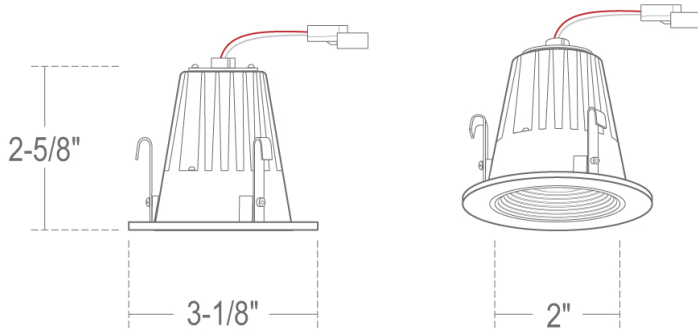
LRLD1288	FINISH
<b>LRLD1288</b>	<b>W</b> :White
	<b>B</b> :Black
	<b>N</b> :Natural*

\* Special Order

ID#: 3086



## LRLD1293 - BAFFLE 2" 10W SERIES



### SPECIFICATION

10W LED

**Application:** This miniature general purpose LED trim is perfect for low to medium height ceilings in residential and light commercial applications. Its small aperture makes it ideal for strategic placement where space is limited and energy savings is important.

**Power Connection:** LED heat sinked lamp module is replaceable via onboard quick exclusionary disconnect terminal. No tools required. Meets CA Title 24 Requirements and other standards restricting the use of Medium Base or Bi-Pin Sockets.

**Lumen Maintenance:** Minimum 50,000 hours L70 life based on ANSI TM-21 calculations from LM80 standardized test results.

**Thermal Management:** Effective thermal dissipation facilitated by integral cast-aluminum, finned heat sink design for maximum heat rejection to provide long LED life.

**Mounting:** Steel pressure springs mounted on trim to ensure positive retention inside housing.

**Color Temperature:** Comes standard with 3,000K Warm White LED's binned according to ANSI C78 377A for color temperature and chromaticity ranges. Available with 4,000K. To order use "-T" Suffix followed by color temperature. Example 4000K= T40. Consult factory as extended lead times and minimum order quantities apply.




**Warranty:** Covered by a 3 Year Warranty to be free of defects in materials and craftsmanship. Recommended for applications where ambient temperatures do not exceed 35°C, installations exceeding this temperature will result in reduced LED lamp life and a voided warranty.

**Wet Location:** Suitable for Wet Location Installations.

**Finish:** Available in White, Black and Natural\*.

**Label:** cETL Listed

### COMPATIBILITY

		
LHLD29C20	LHLD21CA9C20	LHLD2R9C20
NEW CONSTRUCTION	INSULATION CONTACT (AIRTIGHT)	REMODEL

Note: Wattage limitations on compatible items must be met.

#### LED Details:

~10W 700 + Lumens Delivered

Color Rendering Index (CRI): 90

Color Temperature: 3,000K

Lamp Equivalents: 75W A19, 50W PAR20 FL, 50W MR16 FL

#### Benefit:

- Dual purpose New construction housing includes plaster frame
- Driver mounted on external J-Box for cooler LED operation

2016-11-9

### FEATURE:



ORDERING EXAMPLE : LRLD1293W

LRLD1293	FINISH
LRLD1293	<b>W</b> :White
	<b>B</b> :Black
	<b>N</b> :Natural*

\* Special Order

ID#: 3083



Tel: 323.904.0200

Product specifications subject to change without notice.

www.liton.com

