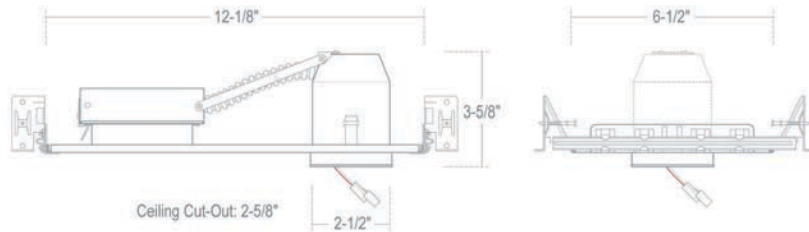


LHLD29C20 - NEW CONSTRUCTION 2" 10W SERIES



SPECIFICATION

120V input 10W LED

Application: This miniature LED housing is perfect for low to medium height ceilings in residential and light commercial applications. Its small aperture makes it ideal for strategic placement where space is limited and energy savings is important.

Housing: Pre-wired .05" baked enamel 1-piece drawn steel Plaster frame adjusts up to 3/4" ceiling thickness. Integral thermal protector to guard against improper lamping and installation. Trim is secured with internal ClickLok™ locking mechanism. Housing is easily removed from plaster frame for remodel applications.

Mounting: Housing suitable for new construction and remodel installations, supplied with (2) 24" adjustable hanger bars. Hanger bars equipped with nail-less install 3/4" serrated barbed studs and with captive nails, for faster and easier secure mounting in wood joists. Set-screws lock into position and prevent shifting after installation. Earthquake structural cable compatible for drop panel ceiling or any other mounting that requires direct support from structural ceilings.

Driver: Electronic Direct Current U.L. Listed driver mounted away from LED Array for cool operation and end-of-life modularity. Comes standard with 120VAC input.

Dimming: Standard dimming option smoothly dims down to 5% of initial light output with flicker-free performance. Works with standard incandescent dimmers. Factory qualified for use with Lutron brand dimmers: S600PR, DVSCCL-153P & DV600PR as well as Leviton IP106-600W. Also works with standard electronic low voltage (ELV) dimmers. Factory qualified for use with Lutron brand dimmers: SELV300P, DVELV-300P, MAELV-600 and NELV-450.

Color Temperature: MacAdam ellipses within the ANSI C78 377A standard for color temperature and chromaticity ranges light binning allowance. Available with other color temperatures ANSI binning of 2,700K, 3,500K & 4,000K. To order use "-T" Suffix followed by color temperature. Example 4000K=T40. Consult factory as extended lead times apply.

Power Connection: LED lamp array is replaceable via on board quick disconnect terminal. Meets CA Title 24 Requirements and other standards restricting the use of Medium Base or Bi-Pin Sockets.

Junction Box : 4 gauge pre-wired aluminum Junction Box. 4 cubic-inch for a maximum of (4) #12 AWG wires. (2) 1/4" Romex knock-outs. Remove covers for easy access and ground wire. For 1/2" Pipe or Flex-Conduit (LITON# PCT031) Fitting Adaptor should be used. Consult Factory.







Insulation Contact: Non IC rated housing must be kept 3" from insulation.

Safety Labels: ETL/CETL/UL listed. Suitable for damp and wet locations. NYC approved: Calendar #41937.

Warranty: Covered by a 5 Year Warranty to be free of defects in materials and craftsmanship. Recommended for applications where ambient temperatures do not exceed 35°C, installations exceeding this temperature will result in reduced LED lamp life and a voided warranty.

Driver: Only available in 120V ELV/Incandescent Dimming.

COMPATIBILITY

| | | |
|--|---|---|
|  LRLD1288 ADJUSTABLE GIMBAL |  LRLDQ221 SQUARE REFLECTOR |  LRLDQ288 ADJUSTABLE SQUARE GIMBAL |
|  LRLDQ293 SQUARE BAFFLE |  LRLD1221 SMOOTH REFLECTOR |  LRLD1293 BAFFLE |

Note: Wattage limitations on compatible items must be met.

Label: cETL Listed

LED Details:

~10W 700 + Lumens Delivered

Color Rendering Index (CRI): 90

Color Temperature: 3,000K

Lamp Equivalents: 75W A19, 50W PAR20 FL, 50W MR16 FL

Benefit:

- Dual purpose New construction housing includes plaster frame
- Driver mounted on external J-Box for cooler LED operation

2018.03.09

FEATURE:



ORDERING EXAMPLE : LHLD29C20

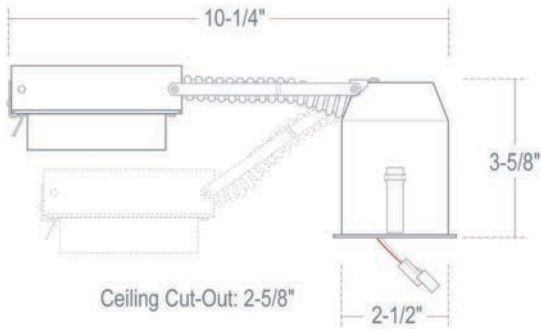
LHLD29C20

DRIVER

LHLD29C20

Blank :120V ELV/Incandescent Dimming

LHLD2R9C20 - REMODEL 2" 10W SERIES



SPECIFICATION

120V input 10W LED

Application: This miniature LED housing is perfect for low to medium height ceilings in residential and light commercial applications. Its small aperture makes it ideal for strategic placement where space is limited and energy savings is important.

Housing: Pre-wired .05" baked enamel 1-piece drawn steel Plaster frame adjusts up to 3/4" ceiling thickness. Integral thermal protector to guard against improper lamping and installation. Trim is secured with internal ClickLok™ locking mechanism. Housing is easily removed from plaster frame for remodel applications.

Mounting: Housing suitable for remodel or new construction installations, supplied with high tension remodeling clips, designed to secure the housing to an existing sheetrock ceiling for fast and easy installation.

Driver: Electronic Direct Current U.L. Listed driver mounted away from LED Array for cool operation and end-of-life modularity. Comes standard with 120VAC input.

Dimming: Standard dimming option smoothly dims down to 5% of initial light output with flicker-free performance. Works with standard incandescent dimmers. Factory qualified for use with Lutron brand dimmers: S600PR, DVSCCL-153P & DV600PR as well as Leviton IP106-600W. Also works with standard electronic low voltage (ELV) dimmers. Factory qualified for use with Lutron brand dimmers: SELV300P, DVELV-300P, MAELV-600 and NELV-450.

Color Temperature: MacAdam ellipses within the ANSI C78 377A standard for color temperature and chromaticity ranges light binning allowance. Available with other color temperatures ANSI binning of 2,700K, 3,500K & 4,000K. To order use "-T" Suffix followed by color temperature. Example 4000K=T40. Consult factory as extended lead times apply.

Power Connection: LED lamp array is replaceable via on board quick disconnect terminal. Meets CA Title 24 Requirements and other standards restricting the use of Medium Base or Bi-Pin Sockets.

Junction Box : 4 gauge pre-wired aluminum Junction Box. 4 cubic-inch for a maximum of (4) #12 AWG wires. (2) 1/4" Romex knock-outs. Remove covers for easy access and ground wire. 1/2" Pipe or Flex-Conduit (LITON#PCT031) Fitting Adaptor should be used. Consult Factory.

Insulation Contact: Non IC rated housing must be kept 3" from insulation.







Safety Labels: ETL/CETL/UL listed. Suitable for damp and wet locations. NYC approved: Calendar #41937.

Warranty: Covered by a 3 Year Warranty to be free of defects in materials and craftsmanship. Recommended for applications where ambient temperatures do not exceed 35°C, installations exceeding this temperature will result in reduced LED lamp life and a voided warranty.

Driver: Only available in 120V ELV/Incandescent Dimming.

Label: cETL Listed

COMPATIBILITY

| | | |
|--|---|---|
|  LRLD1288 ADJUSTABLE GIMBAL |  LRLDQ221 SQUARE REFLECTOR |  LRLDQ288 ADJUSTABLE SQUARE GIMBAL |
|  LRLD1221 SMOOTH REFLECTOR |  LRLD1293 BAFFLE |  LRLDQ293 SQUARE BAFFLE |

Note: Wattage limitations on compatible items must be met.

LED Details:

~10W 700 + Lumens Delivered

Color Rendering Index (CRI): 90

Color Temperature: 3,000K

Lamp Equivalents: 75W A19, 50W PAR20 FL, 50W MR16 FL

Benefit:

- Dual purpose New construction housing includes plaster frame
- Driver mounted on external J-Box for cooler LED operation

2013.09.2018

FEATURE:



ORDERING EXAMPLE : LHLD2R9C20

LHLD2R9C20

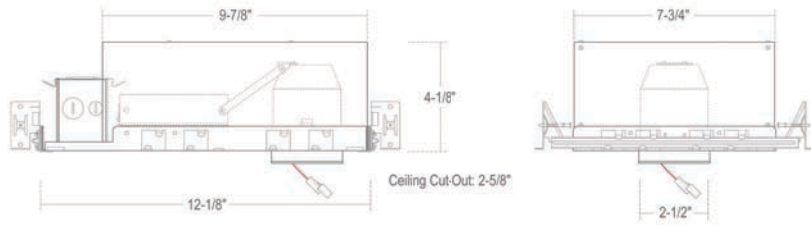
DRIVER

LHLD2R9C20

Blank :120V ELV/Incandescent Dimming



LHLD2ICA9C20 - INSULATION CONTACT (AIRTIGHT) 2" 10W SERIES



SPECIFICATION

120V input 10W LED

Application: This miniature LED housing is perfect for low to medium height ceilings in residential and light commercial applications. Its small aperture makes it ideal for strategic placement where space is limited and energy savings is important.

Housing: Pre-wired .05" baked enamel 1-piece drawn steel Plaster frame adjusts up to 3/4" ceiling thickness. Integral thermal protector to guard against improper lamping and installation. Trim is secured with internal ClickLok™ locking mechanism. Housing is easily removed from plaster frame for remodel applications.

Mounting: Housing suitable for new construction and remodel installations, supplied with (2) 24" adjustable hanger bars. Hanger bars equipped with nail-less install 3/4" serrated barbed studs and with captive nails, for faster and easier secure mounting in wood joists. Set-screws lock into position and prevent shifting after installation. Earthquake structural cable compatible for drop panel ceiling or any other mounting that requires direct support from structural ceilings.

Driver: Electronic Direct Current U.L. Listed driver mounted away from LED Array for cool operation and end-of-life modularity. Comes standard with 120VAC input.

Dimming: Standard dimming option smoothly dims down to 5% of initial light output with flicker-free performance. Works with standard incandescent dimmers. Factory qualified for use with Lutron brand dimmers: S600PR, DVSCCL-153P & DV600PR as well as Leviton IP106-600W. Also works with standard electronic low voltage (ELV) dimmers. Factory qualified for use with Lutron brand dimmers: SELV300P, DVELV-300P, MAELV-600 and NELV-450.

Color Temperature: MacAdam ellipses within the ANSI C78 377A standard for color temperature and chromaticity ranges light binning allowance. Available with other color temperatures ANSI binning of 2,700K, 3,500K & 4,000K. To order use "-T" Suffix followed by color temperature. Example 4000K=T40. Consult factory as extended lead times apply.

Power Connection: LED lamp array is replaceable via on board quick disconnect terminal. Meets CA Title 24 Requirements and other standards restricting the use of Medium Base or Bi-Pin Sockets.







Junction Box : 4 gauge pre-wired aluminum Junction Box. 4 cubic-inch for a maximum of (4) #12 AWG wires. (2) Romex knock-outs. Remove covers for easy access access and ground wire. Equipped with safety standard fitting for flex-conduit.

Insulation Contact: IC rated housing suitable for low to medium density blown in insulation.

Safety Labels: ETL/CETL/UL listed. Suitable for damp and wet locations. NYC approved: Calendar #41937.

Warranty: Covered by a 3 Year Warranty to be free of defects in materials and craftsmanship. Recommended for applications where ambient temperatures do not exceed 35°C, installations exceeding this temperature will result in reduced LED lamp life and a voided warranty.

COMPATIBILITY

| | | |
|---|--|---|
|  LRLDQ293 SQUARE BAFFLE |  LRLD1288 ADJUSTABLE GIMBAL |  LRLDQ221 SQUARE REFLECTOR |
|  LRLDQ288 ADJUSTABLE SQUARE GIMBAL |  LRLD1221 SMOOTH REFLECTOR |  LRLD1293 BAFFLE |

Note: Wattage limitations on compatible items must be met.

Driver: Available in 120V ELV/Incandescent Dimming and 120V/277V 0-10V/ELV/Incandescent Dimming.

Label: cETL Listed

LED Details:

~10W 700 + Lumens Delivered

Color Rendering Index (CRI): 90

Color Temperature: 3,000K

Lamp Equivalents: 75W A19, 50W PAR20 FL, 50W MR16 FL

Benefit:

- Dual purpose New construction housing includes plaster frame
- Driver mounted on external J-Box for cooler LED operation

2017.7.10

FEATURE:



ORDERING EXAMPLE : LHLD2ICA9C20

LHLD2ICA9C20

DRIVER

LHLD2ICA9C20

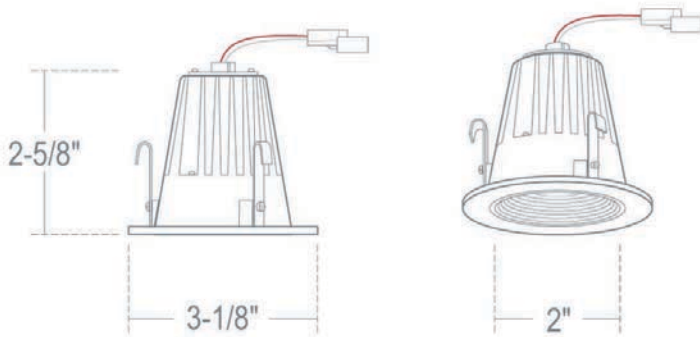
Blank :120V ELV/Incandescent Dimming

UE-DUN:120V/277V 0-10V/ELV/Incandescent Dimming

ID#: 3088



LRLD1293 - BAFFLE 2" 10W SERIES



SPECIFICATION

10W LED

Application: This miniature general purpose LED trim is perfect for low to medium height ceilings in residential and light commercial applications. Its small aperture makes it ideal for strategic placement where space is limited and energy savings is important.

Power Connection: LED heat sinked lamp module is replaceable via onboard quick exclusionary disconnect terminal. No tools required. Meets CA Title 24 Requirements and other standards restricting the use of Medium Base or Bi-Pin Sockets.

Lumen Maintenance: Minimum 50,000 hours L70 life based on ANSI TM-21 calculations from LM80 standardized test results.

Thermal Management: Effective thermal dissipation facilitated by integral cast-aluminum, finned heat sink design for maximum heat rejection to provide long LED life.

Mounting: Steel pressure springs mounted on trim to ensure positive retention inside housing.

Color Temperature: Comes standard with 3,000K Warm White LED's binned according to ANSI C78 377A for color temperature and chromaticity ranges. Available with 4,000K. To order use "-T" Suffix followed by color temperature. Example 4000K= T40. Consult factory as extended lead times and minimum order quantities apply.

Warranty: Covered by a 5 Year Warranty to be free of defects in materials and craftsmanship. Recommended for applications where ambient temperatures do not exceed 35°C, installations exceeding this temperature will result in reduced LED lamp life and a voided warranty.

Safety Labels: Suitable for Wet Location Installations. High Efficacy Luminaire Certified by the California Energy Commission (CEC) as Title 24 / JA8 Compliant.

Finish: Available in White, Black and Natural*.

Label: cETL Listed

COMPATIBILITY



LHL2R9C20

REMODEL



LHL21CA9C20

INSULATION CONTACT
(AIRTIGHT)



LHL29C20

NEW CONSTRUCTION

Note: Wattage limitations on compatible items must be met.

LED Details:

~10W 700 + Lumens Delivered

Color Rendering Index (CRI): 90

Color Temperature: 3,000K

Lamp Equivalents: 75W A19, 50W PAR20 FL, 50W MR16 FL

Benefit:

- Dual purpose New construction housing includes plaster frame
- Driver mounted on external J-Box for cooler LED operation

2017.6.7

FEATURE:



ORDERING EXAMPLE : LRLD1293W

LRLD1293 FINISH

LRLD1293 **W** :White
B :Black
N :Natural*

* Special Order

ID#: 3083



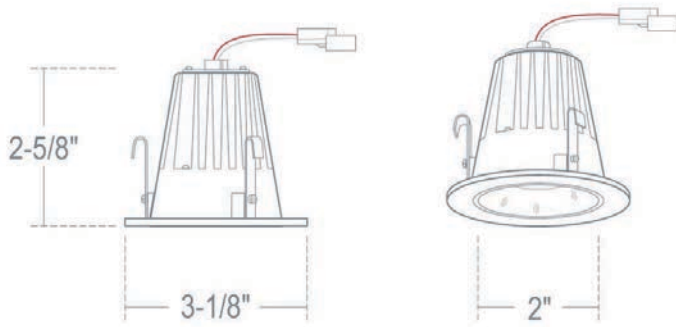
Tel: 323.904.0200

Product specifications subject to change without notice.

www.liton.com



LRLD1221 - SMOOTH REFLECTOR 2" 10W SERIES



SPECIFICATION

10W LED

Application: This miniature general purpose LED trim is perfect for low to medium height ceilings in residential and light commercial applications. Its small aperture makes it ideal for strategic placement where space is limited and energy savings is important.

Power Connection: LED heat sinked lamp module is replaceable via onboard quick exclusionary disconnect terminal. No tools required. Meets CA Title 24 Requirements and other standards restricting the use of Medium Base or Bi-Pin Sockets.

Lumen Maintenance: Minimum 50,000 hours L70 life based on ANSI TM-21 calculations from LM80 standardized test results.

Thermal Management: Effective thermal dissipation facilitated by integral cast-aluminum, finned heat sink design for maximum heat rejection to provide long LED life.

Mounting: Steel pressure springs mounted on trim to ensure positive retention inside housing.

Color Temperature: Comes standard with 3,000K Warm White LED's binned according to ANSI C78 377A for color temperature and chromaticity ranges. Available with 4,000K. To order use "-T" Suffix followed by color temperature. Example 4000K= T40. Consult factory as extended lead times and minimum order quantities apply.

Warranty: Covered by a 5 Year Warranty to be free of defects in materials and craftsmanship. Recommended for applications where ambient temperatures do not exceed 35°C, installations exceeding this temperature will result in reduced LED lamp life and a voided warranty.

Safety Labels: Suitable for Wet Location Installations. High Efficacy Luminaire Certified by the California Energy Commission (CEC) as Title 24 / JA8 Compliant.

Finish: Available in White, Black and Natural*.

Label: cETL Listed

COMPATIBILITY



LRLD2R9C20

REMODEL



LRLD29C20

NEW CONSTRUCTION



LRLD2ICA9C20

INSULATION CONTACT (AIRTIGHT)

Note: Wattage limitations on compatible items must be met.

LED Details:

~10W 700 + Lumens Delivered

Color Rendering Index (CRI): 90

Color Temperature: 3,000K

Lamp Equivalents: 75W A19, 50W PAR20 FL, 50W MR16 FL

Benefit:

- Dual purpose New construction housing includes plaster frame
- Driver mounted on external J-Box for cooler LED operation

2017.6.7

FEATURE:



ORDERING EXAMPLE : LRLD1221W

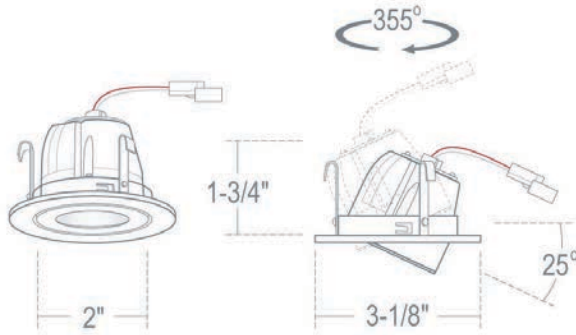
| LRLD1221 | FINISH |
|----------|--------------------|
| LRLD1221 | W :White |
| | B :Black |
| | N :Natural* |

* Special Order

ID#: 3081



LRLD1288 - ADJUSTABLE GIMBAL 2" 10W SERIES



SPECIFICATION

10W LED

Application: This miniature general purpose LED trim is perfect for low to medium height ceilings in residential and light commercial applications. Its small aperture makes it ideal for strategic placement where space is limited and energy savings is important.

Power Connection: LED heat sinked lamp module is replaceable via onboard quick exclusionary disconnect terminal. No tools required. Meets CA Title 24 Requirements and other standards restricting the use of Medium Base or Bi-Pin Sockets.

Lumen Maintenance: Minimum 50,000 hours L70 life based on ANSI TM-21 calculations from LM80 standardized test results.

Thermal Management: Effective thermal dissipation facilitated by integral cast-aluminum, finned heat sink design for maximum heat rejection to provide long LED life.

Mounting: Steel pressure springs mounted on trim to ensure positive retention inside housing.

Color Temperature: Comes standard with 3,000K Warm White LED's binned according to ANSI C78 377A for color temperature and chromaticity ranges. Available with 4,000K. To order use "-T" Suffix followed by color temperature. Example 4000K= T40. Consult factory as extended lead times and minimum order quantities apply.

Warranty: Covered by a 5 Year Warranty to be free of defects in materials and craftsmanship. Recommended for applications where ambient temperatures do not exceed 35°C, installations exceeding this temperature will result in reduced LED lamp life and a voided warranty.

Safety Labels: Suitable for Damp locations. High Efficacy Luminaire Certified by the California Energy Commission (CEC) as Title 24 / JAB Compliant.

Finish: Available in White, Black and Natural*.

Label: cETL Listed

COMPATIBILITY



LHL2R9C20

REMODEL



LHL29C20

NEW CONSTRUCTION



LHL2ICA9C20

INSULATION CONTACT (AIRTIGHT)

Note: Wattage limitations on compatible items must be met.

LED Details:

~10W 700 + Lumens Delivered

Color Rendering Index (CRI): 90

Color Temperature: 3,000K

Lamp Equivalents: 75W A19, 50W PAR20 FL, 50W MR16 FL

Benefit:

- Dual purpose New construction housing includes plaster frame
- Driver mounted on external J-Box for cooler LED operation

2017.6.7

FEATURE:



ORDERING EXAMPLE : LRLD1288W

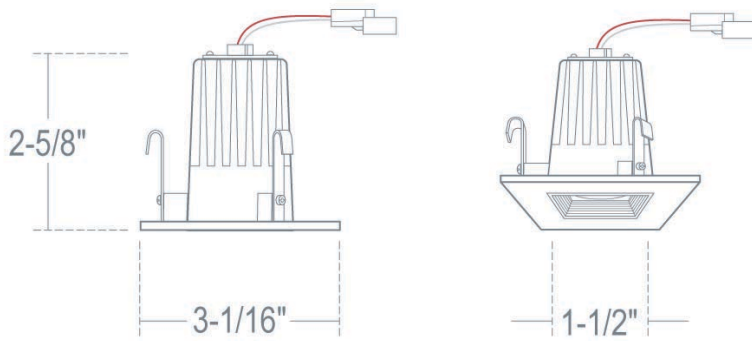
| LRLD1288 | FINISH |
|----------|--------------------|
| LRLD1288 | W :White |
| | B :Black |
| | N :Natural* |

* Special Order

ID#: 3086



LRLDQ293 - SQUARE BAFFLE 2" 10W SERIES



SPECIFICATION

10W LED

Application: This miniature general purpose LED trim is perfect for low to medium height ceilings in residential and light commercial applications. Its small aperture makes it ideal for strategic placement where space is limited and energy savings is important.

Power Connection: LED heat sinked lamp module is replaceable via onboard quick exclusionary disconnect terminal. No tools required. Meets CA Title 24 Requirements and other standards restricting the use of Medium Base or Bi-Pin Sockets.

Lumen Maintenance: Minimum 50,000 hours L70 life based on ANSI TM-21 calculations from LM80 standardized test results.

Thermal Management: Effective thermal dissipation facilitated by integral cast-aluminum, finned heat sink design for maximum heat rejection to provide long LED life.

Mounting: Steel pressure springs mounted on trim to ensure positive retention inside housing.

Color Temperature: Comes standard with 3,000K Warm White LED's binned according to ANSI C78 377A for color temperature and chromaticity ranges. Available with 4,000K. To order use "-T" Suffix followed by color temperature. Example 4000K= T40. Consult factory as extended lead times and minimum order quantities apply.

Warranty: Covered by a 5 Year Warranty to be free of defects in materials and craftsmanship. Recommended for applications where ambient temperatures do not exceed 35°C, installations exceeding this temperature will result in reduced LED lamp life and a voided warranty.

Safety Labels: Suitable for Wet Location Installations. High Efficacy Luminaire Certified by the California Energy Commission (CEC) as Title 24 / JA8 Compliant.

Finish: Available in White, Black and Natural*.

Label: cETL Listed

COMPATIBILITY



LRLD2R9C20

REMODEL



LRLD29C20

NEW CONSTRUCTION



LRLD2ICA9C20

INSULATION CONTACT
(AIR TIGHT)

Note: Wattage limitations on compatible items must be met.

LED Details:

~10W 700 + Lumens Delivered

Color Rendering Index (CRI): 90

Color Temperature: 3,000K

Lamp Equivalents: 75W A19, 50W PAR20 FL, 50W MR16 FL

Benefit:

- Dual purpose New construction housing includes plaster frame
- Driver mounted on external J-Box for cooler LED operation

2017.6.7

FEATURE:



ORDERING EXAMPLE : LRLDQ293W

LRLDQ293 FINISH

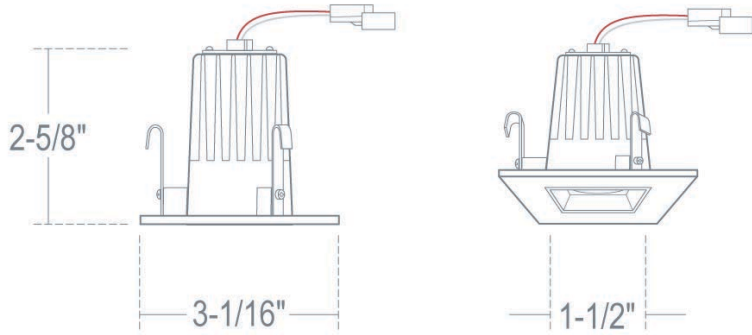
LRLDQ293 **W** :White
B :Black
N :Natural*

* Special Order

ID#: 3085



LRLDQ221 - SQUARE REFLECTOR 2" 10W SERIES



SPECIFICATION

10W LED

Application: This miniature general purpose LED trim is perfect for low to medium height ceilings in residential and light commercial applications. Its small aperture makes it ideal for strategic placement where space is limited and energy savings is important.

Power Connection: LED heat sinked lamp module is replaceable via onboard quick exclusionary disconnect terminal. No tools required. Meets CA Title 24 Requirements and other standards restricting the use of Medium Base or Bi-Pin Sockets.

Lumen Maintenance: Minimum 50,000 hours L70 life based on ANSI TM-21 calculations from LM80 standardized test results.

Thermal Management: Effective thermal dissipation facilitated by integral cast-aluminum, finned heat sink design for maximum heat rejection to provide long LED life.

Mounting: Steel pressure springs mounted on trim to ensure positive retention inside housing.

Color Temperature: Comes standard with 3,000K Warm White LED's binned according to ANSI C78 377A for color temperature and chromaticity ranges. Available with 4,000K. To order use "-T" Suffix followed by color temperature. Example 4000K= T40. Consult factory as extended lead times and minimum order quantities apply.

Warranty: Covered by a 5 Year Warranty to be free of defects in materials and craftsmanship. Recommended for applications where ambient temperatures do not exceed 35°C, installations exceeding this temperature will result in reduced LED lamp life and a voided warranty.

Safety Labels: Suitable for Wet Location Installations. High Efficacy Luminaire Certified by the California Energy Commission (CEC) as Title 24 / JA8 Compliant.

Finish: Available in White, Black and Natural*.

Label: cETL Listed

COMPATIBILITY

| | | |
|---|--|--|
|  LHLD29C20 NEW CONSTRUCTION |  LHLD2R9C20 REMODEL |  LHLD2ICA9C20 INSULATION CONTACT (AIRTIGHT) |
|---|--|--|

Note: Wattage limitations on compatible items must be met.

LED Details:

~10W 700 + Lumens Delivered

Color Rendering Index (CRI): 90

Color Temperature: 3,000K

Lamp Equivalents: 75W A19, 50W PAR20 FL, 50W MR16 FL

Benefit:

- Dual purpose New construction housing includes plaster frame
- Driver mounted on external J-Box for cooler LED operation

2017.6.7

FEATURE:



ORDERING EXAMPLE : LRLDQ221W

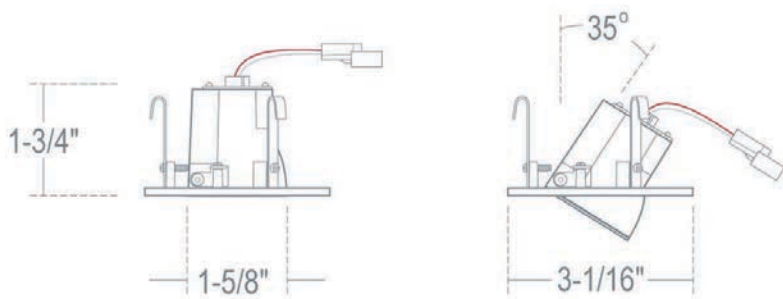
| LRLDQ221 | FINISH |
|----------|--------------------|
| LRLDQ221 | W :White |
| | B :Black |
| | N :Natural* |

* Special Order

ID#: 3084



LRLDQ288 - ADJUSTABLE SQUARE GIMBAL 2" 10W SERIES



SPECIFICATION

10W LED

Application: This miniature general purpose LED trim is perfect for low to medium height ceilings in residential and light commercial applications. Its small aperture makes it ideal for strategic placement where space is limited and energy savings is important.

Power Connection: LED heat sinked lamp module is replaceable via onboard quick exclusionary disconnect terminal. No tools required. Meets CA Title 24 Requirements and other standards restricting the use of Medium Base or Bi-Pin Sockets.

Lumen Maintenance: Minimum 50,000 hours L70 life based on ANSI TM-21 calculations from LM80 standardized test results.

Thermal Management: Effective thermal dissipation facilitated by integral cast-aluminum, finned heat sink design for maximum heat rejection to provide long LED life.

Mounting: Steel pressure springs mounted on trim to ensure positive retention inside housing.

Color Temperature: Comes standard with 3,000K Warm White LED's binned according to ANSI C78 377A for color temperature and chromaticity ranges. Available with 4,000K. To order use "-T" Suffix followed by color temperature. Example 4000K= T40. Consult factory as extended lead times and minimum order quantities apply.

Warranty: Covered by a 5 Year Warranty to be free of defects in materials and craftsmanship. Recommended for applications where ambient temperatures do not exceed 35°C, installations exceeding this temperature will result in reduced LED lamp life and a voided warranty.

Safety Labels: Suitable for Damp Location Installations. High Efficacy Luminaire Certified by the California Energy Commission (CEC) as Title 24 / JA8 Compliant.

Finish: Available in White, Black and Natural*.

Label: cETL Listed

COMPATIBILITY



LRLD2R9C20

REMODEL



LRLD29C20

NEW CONSTRUCTION



LRLD2ICA9C20

INSULATION CONTACT (AIRTIGHT)

Note: Wattage limitations on compatible items must be met.

LED Details:

~10W 700 + Lumens Delivered

Color Rendering Index (CRI): 90

Color Temperature: 3,000K

Lamp Equivalents: 75W A19, 50W PAR20 FL, 50W MR16 FL

Benefit:

- Dual purpose New construction housing includes plaster frame
- Driver mounted on external J-Box for cooler LED operation

2017.6.7

FEATURE:



ORDERING EXAMPLE : LRLDQ288W

| LRLDQ288 | FINISH |
|----------|--------------------|
| LRLDQ288 | W :White |
| | B :Black |
| | N :Natural* |

* Special Order

ID#: 3087

