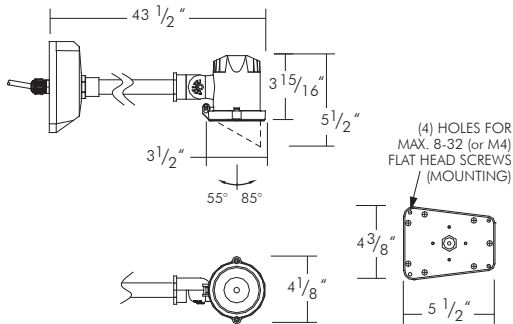


AG242 - 600LM 36" STEM LIGHT (IP65) ABOVE GRADE



SPECIFICATION

11W

Application: The AG-series ground and wall mount luminaires are designed for general landscape lighting, signs, flag poles, and building facades.

Housing: High-grade die cast aluminum housing and powder coat finish. Stem with an integrated swivel (sealed with silicone O-ring and locked with a tamper resistant stainless steel screw), 80° UP/55° DOWN. Comes with 6 feet of cord. The Stem Mount is Bottom Feed and installs on stand 3" Octagonal Junction Boxes. Can be field modified for other box sizes. See Line Art for details.

Reflector Construction: One piece, heavy-gauge aluminum reflector prevents ugly dents during shipping and installation. Deeply mounted singular LED provides 50 degree visual cutoff for a glare-free appearance.

Faceplate: One-piece die cast aluminum open flat faceplate (angled glare shield shown) with a polyester powder coat finish and a clear tempered glass lens and silicone rubber gasket. Secured to fixture by two (2) tamper resistant, stainless steel screws.

Lumen Maintenance: Minimum 50,000 hours L70 life based on ANSI TM-21 calculations from LM80 standardized test results. See ordering guide for delivered lumens.

Thermal Management: Effective thermal dissipation facilitated by integral cast-aluminum, heat sink design for maximum heat rejection to provide long LED life.

Dimming: (-DUN) option is a universal dimming system that works with most 3-Wire ELV, 2-Wire Incandescent and 5-Wire 0-10V fluorescent dimmers.

Electrical: 120V-277V AC 50/60Hz Electronic Direct Current Class 2 driver integrally mounted. Power Factor > 0.90. Accessible from above or below ceiling. For cold weather applications (-22°C and below) use -DUN driver option.

LED: Energy efficient Chip-On-Board (COB) Singular LED Light Source provides for smooth uniform light output, eliminating the multiple shadow effect seen by multiple LED Source products.

Note: Dark Sky compliant when fixture is pointing downward.

Listing: ETL / cETL Listed. Suitable for wet location. Assembled in USA. (IP65).

Faceplate: Available in Open and Visor (as shown).

Finish: A 7-stage electrostatic, polymer process provides a finish that delivers outstanding durability, superior anti-aging, resistance to corrosion and UV-degradation. Available in Black, Silver* and Architectural Bronze*.

Beam Spread: Available in 15°, 30° and 45°.

LED Details:

11W 600 Lumen Package
Color Rendering Index (CRI): 80
Color Temperature: 3,000K
Lamp Equivalents: 70W Metal Halide lamp

Benefit:

- Up to 83% energy savings
- L70: 50,000 hours
- Anti-aging polyester powder coat finish
- IP65 wet location rated
- 3-Year Limited Warranty

2019.09.18



ORDERING EXAMPLE : AG2420BUE-B15-T27/AG2-STRAP

AG242	FACEPLATE	FINISH	DIMMING	BEAM SPREAD	LED	OPTION
AG242	0 :Open	B :Black	UE :120V/277V	Blank :30°	Blank :4000K	Blank :None
	7 :Visor	S :Silver*	UE-DUN :UniDim™ 120V/277V*	-B15 :15°	-T27 :2700K*	/AG2-STRAP :Tree Strap
	(as shown)	BZ :Architectural Bronze*		-B45 :45°	-T30 :3000K	/AG2-SPIKE :Ground Spike
					-T35 :3500K*	-SPRD :Spread Lens
					-T50 :5000K*	

* Special Order. Minimum order or extended lead time may apply. Consult factory.