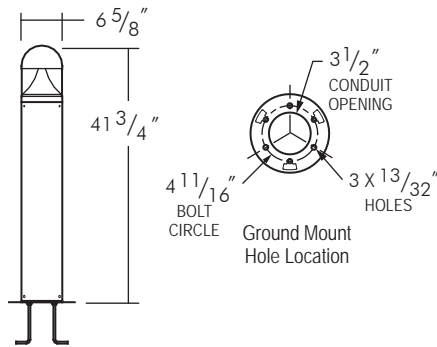


BL30 - 7" LED ROUND BOLLARD - CONE REFLECTOR (ROUND TOP) 2300 LM

LED BOLLARD



SPECIFICATION

LED 28W

Application: Bollards are designed for indoor and outdoor applications where low-level illumination is required. Bollards are used to light walkways, public gathering spaces, gardens, along waterfronts and marinas and other public and private areas.

Luminaire Construction: High grade extruded aluminum tube with die cast aluminum top and base. The luminaire is secured to the base by three (3) tamper resistant, stainless steel set screws. Base is mounted to Anchor Bolt Assembly Kit by three (3) nuts and washers. Note: A solid foundation for installation is recommended.

Luminaire Enclosure: Round, one-piece top is constructed of heavy duty die cast aluminum housing with a powder coat finish. A clear U.V. stabilized polycarbonate molded lens, interior anodized aluminum louvers and top anodized reflector provides a 360° symmetrical light distribution. Luminaire enclosure is secured to lower housing by three (3) tamper resistant, stainless steel set screws and silicone gasket for quick installation and/or relamping.

Lumen Maintenance: Minimum 50,000 hours L70 life based on ANSI TM-21 calculations from LM80 standardized test results. See ordering guide for delivered lumens.

Thermal Management: Effective thermal dissipation facilitated by integral cast-aluminum, heat sink design for maximum heat rejection to provide long LED life.

Dimming: (-DUN) option is a universal dimming system that works with most 3-Wire ELV, 2-Wire Incandescent and 5-Wire 0-10V fluorescent dimmers.

Electrical: Through wiring, a maximum of four (4) No. 12 AWG conductors (plus ground wire), rated 90°C min. A 3" diameter conduit opening at base bottom provided.

Listing: ETL / cETL Listed. Suitable for wet location. (IP65)

Finish: Available in Black, Architectural Bronze, Silver* and White*.

LED: Available in 3000K, 4000K and 5000K.

Distribution: Available in Type V - Symmetrical, Type 0I - 180° Forward Throw* and Type III - 90° Wide Forward Throw*.

Benefit:

- No visible HARR
- Up to 83% energy savings
- Glare Free
- Corrosion-resistant polyester powder coat finish
- Available in Black, White, Silver and Architectural Bronze
- 120V/277V standard
- Universal Dimming option dims with ELV, 2-Wire 0-10 Dimming Systems
- 5-Year Limited Warranty
- Up to 20' O.C spacing
- Type I, III, & V Distributions Available
- Emergency Options Available

2017.8.4

FEATURE:



ORDERING EXAMPLE : BL30BZUE-T30EM

BL30	FIXTURE FINISH	REFLECTOR FINISH	DIMMING	LED	DISTRIBUTION
BL30	B :Black	Blank :White	UE :120V/277V	-T30 :3000K	Blank :Type V - Symmetrical
	BZ :Architectural Bronze	-S :Silver	UE-DUN :UniDim™ 120V/277V*	-T40 :4000K	-B0I :Type 0I - 180° Forward Throw*
	S :Silver*	-B :Black		-T50 :5000K	-BIII :Type III - 90° Wide Forward Throw*
	W :White*				

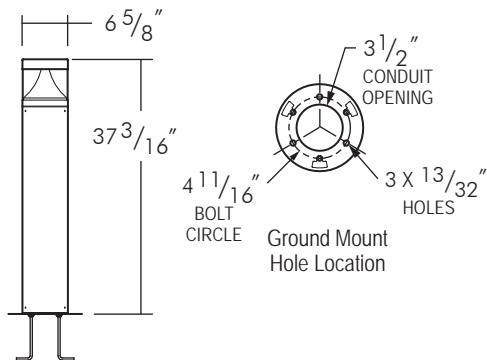
OPTIONS

- Blank** :None
- EM** :25W Remote Emergency
- EMA** :25W Integral Emergency

* Special Order. Minimum order or extended lead time may apply. Consult Factory.

ID#: 3312

BL31 - 7" LED ROUND BOLLARD - CONE REFLECTOR (FLAT TOP) 2300LM LED BOLLARD



SPECIFICATION

LED 28W

Application: Bollards are designed for indoor and outdoor applications where low-level illumination is required. Bollards are used to light walkways, public gathering spaces, gardens, along waterfronts and marinas and other public and private areas.

Luminaire Construction: High grade extruded aluminum tube with die cast aluminum top and base. The luminaire is secured to the base by three (3) tamper resistant, stainless steel set screws. Base is mounted to Anchor Bolt Assembly Kit by three (3) nuts and washers. Note: A solid foundation for installation is recommended.

Luminaire Enclosure: Flat, one-piece top is constructed of heavy duty die cast aluminum housing with a powder coat finish. A clear U.V. stabilized polycarbonate molded lens, interior anodized aluminum louvers and top anodized reflector provides a 360° symmetrical light distribution. Luminaire enclosure is secured to lower housing by three (3) tamper resistant, stainless steel set screws and silicone gasket for quick installation and/or relamping.

Lumen Maintenance: Minimum 50,000 hours L70 life based on ANSI TM-21 calculations from LM80 standardized test results. See ordering guide for delivered lumens.

Thermal Management: Effective thermal dissipation facilitated by integral cast-aluminum, heat sink design for maximum heat rejection to provide long LED life.

Dimming: (-DUN) option is a universal dimming system that works with most 3-Wire ELV, 2-Wire Incandescent and 5-Wire 0-10V fluorescent dimmers.

Electrical: Through wiring, a maximum of four (4) No. 12 AWG conductors (plus ground wire), rated 90°C min. A 3" diameter conduit opening at base bottom provided.

Listing: ETL / cETL Listed. Suitable for wet location. (IP65)

Finish: Available in Black, Architectural Bronze, Silver* and White*.

LED: Available in 3000K, 4000K and 5000K.

Distribution: Available in Type V - Symmetrical, Type OI - 180° Forward Throw* and Type III - 90° Wide Forward Throw*.

Benefit:

- No visible HARR
- Up to 83% energy savings
- Glare Free
- Corrosion-resistant polyester powder coat finish
- Available in Black, White, Silver and Architectural Bronze
- 120V/277V standard
- Universal Dimming option dims with ELV, 2-Wire 0-10 Dimming Systems
- 5-Year Limited Warranty
- Up to 20' O.C spacing
- Type I, III, & V Distributions Available
- Emergency Options Available

2017.8.4

FEATURE:



ORDERING EXAMPLE : BL31BUE-T30

BL31	FIXTURE FINISH	REFLECTOR FINISH	DIMMING	LED	DISTRIBUTION
B	:Black	Blank :White	UE :120V/277V	-T30 :3000K	Blank :Type V - Symmetrical
BZ	:Architectural Bronze	-S :Silver	UE-DUN :UniDim™ 120V/277V*	-T40 :4000K	-BOI :Type OI - 180° Forward Throw*
S	:Silver*	-B :Black		-T50 :5000K	-BIII :Type III - 90° Wide Forward Throw*
W	:White*				

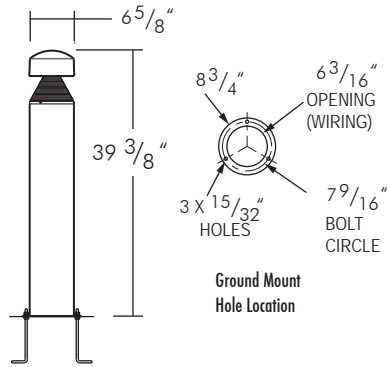
OPTIONS

- Blank** :None
- EM** :25W Remote Emergency
- EMA** :25W Integral Emergency

* Special Order. Minimum order or extended lead time may apply. Consult Factory.

ID#: 3394

BL33 - 7" LED ROUND BOLLARD - DIE CAST PYRAMID (ROUND TOP) 600 LM LED BOLLARD



SPECIFICATION

26W

Application: Bollards are designed for indoor and outdoor applications where low-level illumination is required. Bollards are used to light walkways, public gathering spaces, gardens, along waterfronts and marinas and other public and private areas.

Luminaire Construction: High grade extruded aluminum tube with die cast aluminum top and base. The luminaire is secured to the base by three (3) tamper resistant, stainless steel set screws. Base is mounted to Anchor Bolt Assembly Kit by three (3) nuts and washers. Note: A solid foundation for installation is recommended.

Luminaire Enclosure: Round, one-piece top is constructed of heavy duty die cast aluminum housing with a powder coat finish. A clear U.V. stabilized polycarbonate molded lens, interior anodized aluminum louvers and top anodized reflector provides a 360° symmetrical light distribution. Luminaire enclosure is secured to lower housing by three (3) tamper resistant, stainless steel set screws and silicone gasket for quick installation and/or relamping.

Lumen Maintenance: Minimum 50,000 hours L70 life based on ANSI TM-21 calculations from LM80 standardized test results. See ordering guide for delivered lumens.

Thermal Management: Effective thermal dissipation facilitated by integral cast-aluminum, heat sink design for maximum heat rejection to provide long LED life.

Dimming: (-DUN) option is a universal dimming system that works with most 3-Wire ELV, 2-Wire Incandescent and 5-Wire 0-10V fluorescent dimmers.

Electrical: Through wiring, a maximum of four (4) No. 12 AWG conductors (plus ground wire), rated 90°C min. A 3" diameter conduit opening at base bottom provided.

Listing: ETL / cETL Listed. Suitable for wet location. (IP65)

Finish: Available in Black, Architectural Bronze, Silver* and White*.

LED: Available in 3000K, 4000K, 5000K and Amber.

Benefit:

- Up to 83% energy savings versus CFL & HID
- Low Glare
- Corrosion-resistant polyester powder coat finish
- Available in Black, White, Silver & Architectural Bronze
- 120V/277V Standard
- Universal Dimming option dims with ELV, 2-Wire 0-10V Dimming Systems
- 5-Year Limited Warranty
- Up to 20' O.C spacing
- Emergency Options Available

2017.8.16

FEATURE:



ORDERING EXAMPLE : BL33BUE-TAM

BL33	FINISH	DIMMING	LED	OPTIONS
BL33	B :Black	UE :120V/277V	-T30 :3000K	Blank :None
	BZ :Architectural Bronze	UE-DUN :UniDim™ 120V/277V*	-T40 :4000K	EM :25W Remote Emergency
	S :Silver*		-T50 :5000K	EMA :25W Integral Emergency
	W :White*		-TAM :Amber	

* Special Order. Minimum order or extended lead time may apply. Consult Factory.

ID#: 3345