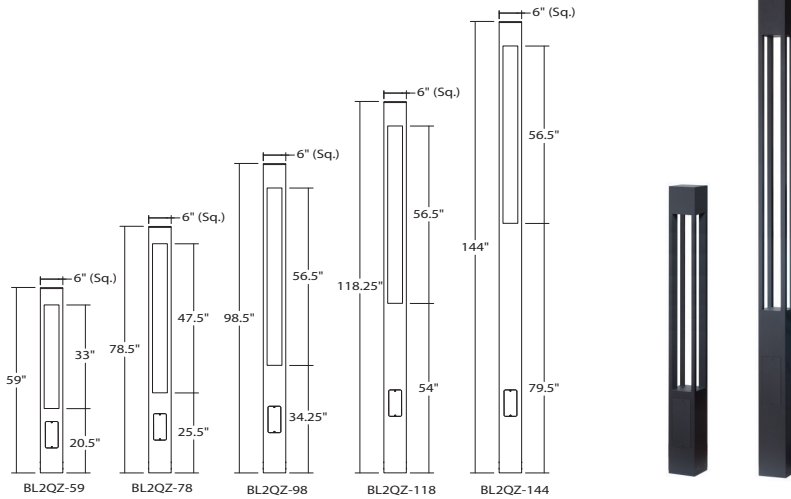


BL2QZ : LUMENPOLE SQUARE BOLLARD & COLUMN

6" OPEN FRAME - 59", 78", 98", 118" AND 144" HEIGHT
1600LM - 5000LM (20W - 90W)



- Dark Sky Compliant
- U.S. Assembled
- Tamper Resistant Hardware
- IK08 Impact Rating
- Integral Emergency Option
- Optional Photocell Sensor
- Quick Ship Options Available
- 90 CRI Standard, 80 CRI on 5000K

ORDERING : BL2QZ-59B-L30-SYM-WUE-D10-T27-C90

BL2QZ

Fixture	Height	Finish	Lumens	Optic	Control	LED	Options
Height		Lumens		Control		LED	
59" Light Column	-59⁶		1600lm (20W)	-L18	Non Dimming (120V)	Blank	2700K (90CRI) -T27-C90
78" Light Column	-78		2000lm (28W)	-L24	TRIAC/ELV Dimming (120V)	-DIN⁹	3000K (90CRI) -T30-C90
98" Light Column	-98		2500lm (42W)	-L30	0-10V Dimming (120/277V)	UE-D10	3000K (97 CRI) -T30-C97¹
118" Light Column	-118		2800lm (48W)	-L34	UniDim™ (120V/277V)	UE-DUN⁸	3500K (90 CRI) -T35-C90
144" Light Column	-144		3500lm (60W)	-L40	0-10V Dimming (347V)	-347-D10⁷	4000K (90 CRI) -T40-C90
			4000lm (70W)	-L50	Dali Dimming (120V/277V)	UE-DLI^{1,3}	5000K (80 CRI) -T50
			4500lm (80W)	-L60	Casambi Wireless Dimming (120V/277V)	-DCSM	Amber Lighting (590nm, Turtle Safe with Louver) -TAM-LVR¹¹
			5000lm (90W)	-L70	BubblyNet Wireless System (120V/277V)	-DBNT¹	Emergency Options
Finish		Optic		Control		Emergency Options	
Black	B	Symmetric	-SYM-EN	SimplySnap Wireless System (120V/277V)	-DSYN^{1,5}	None	Blank
White	W²	Extra Narrow (20°)		UniSense - Integral Motion/Photosensor (120V)	-SUN-INT¹	Remote Full Power Emergency Option	-EMAC^{3,10}
Silver	S²	Symmetric Narrow (45°)	-SYM-N	UniSense - Integral Motion/Photosensor (120V)	-SUN-INT¹	Options	
Bronze	BZ	Symmetric Wide (75°)	-SYM-W	UniSense - Integral Motion/Photosensor (120V/277V)	-SUN-INT-1227¹	None	Blank
		Asymmetric Forward Throw	-ASY-FT¹			Photocell Sensor	-SDL³
		Asymmetric Wide	-ASY-W¹			Surge Protector (120V/277V)	-SRG³

¹ Special order. Minimum Order. Extended lead time may apply. Consult Factory.
² Special Order Finish. Minimum order quantity (MOQ) applies. Orders less than MOQ are subject to a special paint set-up fee for the quantity ordered. Extended lead times may apply. Consult Factory.
³ Not rated for cold weather. Minimum fixture outdoor temperature, 0°C (32°F).
⁴ Starting Temperature -40°C/-40°F. Only available with (UE-DUN) control option.
⁵ Special Order. Sent with surface mount JBOX to allow for direct-conduit entry.
⁶ (-L40) through (-L70) Lumen option not available on (-59) 59" Height.
⁷ (-347-D10) option only available for Lumen options: (-L18), (-L24) and (-L30).
⁸ (UE-DUN) option only available for Lumen options: (-L18), (-L24), (-L30), and (-L34).
⁹ (-DIN) option only available for Lumen options: (-L18), (-L24), (-L30), (-L34), and (-L70).
¹⁰ (-EMAC) must be ordered with (UE-D10) or (UE-DUN) if ordering with Lumen option (-L30) or higher. Check Wiring Diagram on page 5.
¹¹ (-TAM-LVR) option only available with Lumens (-L18).

Custom RAL Color: Please note that we appreciate custom finishes. Custom finishes are subject to a special paint setup fee for the quantity ordered. Extended lead times may apply. Consult Factory.

Consult factory for possible additional options including: USB, AC outlet, speaker hubs, wireless, node mounting, PC/Motion sensor, 7-pin photocell receptacle (C136.41 compliant) only w/shorting cap, accepts standard twist-lock photocell or PC/Control Node for wireless dimming control.

SPECIFICATION

Application

6" square LumenPole Light Columns and Bollards are designed for architectural relevance to intimate indoor and outdoor environments where pedestrian level illumination is required. The LED COB with reflector provides illumination downward on the ground to light walkways, public gathering spaces, gardens, along waterfronts and marinas and other public and private areas. Typical applications include residential, commercial, and retail.

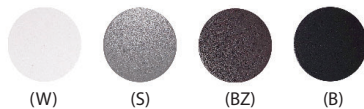
Housing & Arms

Housing and Arms are constructed from square and rectilinear shaped highgrade robust aluminum extrusions. A clear tempered glass lens is sealed to the Faceplate with a silicone O-ring. The Faceplate and end caps are die-cast aluminum and seal the housing (top and bottom) using silicone O-rings. A fabricated aluminum mounting plate and stainless steel U mounting plate (59" - 118" H) installs onto supplied stainless steel anchor bolts and secures into the housing with countersunk, Phillips head, stainless steel screws.

Mounting

The 5.7" square mounting plate with U-bracket installs supplied stainless steel anchorbolts (or other hardware) on a solid substrate. For specific mounting options see installation instructions.

Finish



A 7-stage electrostatic, polymer process provides an outdoor powder coat finish that delivers outstanding durability, superior anti-aging, resistance to corrosion and UV-degradation.

Standard Finishes:

White: RAL 9005 (B)
Silver: RAL 7037 (S)
Bronze: RAL 8019 (BZ)
Black: RAL 9005 (B)

Consult factory for Custom Color.

Paint does not contain any copper compounds or elements.

Certification and Listings



ETL / cETL Listed to UL1598 and UL8750 standards.

Suitable wet locations. (IP66)

Assembled in USA.

Dark Sky - Dark Sky compliant.

IK08 rated - Protected against 5 joules impact. Equivalent to impact of 1.7 kg mass dropped from 300 mm above impacted surface.

SPECIFICATION (Continued)

Caution

LITON recommends use of surge protectors on incoming power. Locate them in the most convenient servicing location. Surge damage is not covered by warranty.

Warranty

Covered by a 5-Year Warranty to be free of defects in materials and craftsmanship. Fixture should not be installed in applications with ambient temperature above 60°C. Doing so will result in reduced lamp life and voided warranty.

Optics

Multifaceted aluminum coated reflectors produce Symmetric Narrow (-SYM-N) 45°, Symmetric Wide (-SYM-W) 75°, Asymmetric Forward Throw (-ASY-FT), and Asymmetric Wide (-ASY-W) distributions.

-LVR option indicates an integral hexcell louver shield that meets Florida's FFWCC "Keep it SHIELDED" Wildlife Lighting Criteria to cut off glare in the horizontal plane of a lighting fixture.

LED

COB (Chip on Board) singular LED light source provides for smooth, uniform light output, eliminating the multiple imaging produced by multiple LED source optics. Binned with 4-step MacAdam ellipses as per ANSI Standard recommendation.

Lumen Maintenance

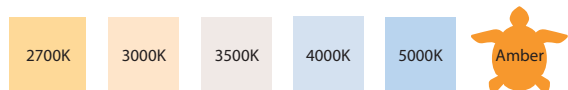
Minimum 50,000 hours L70 life based on ANSI TM-21 calculations from LM80 standardized test results.

Lumen Options (Delivered)

1600lm (20W), 2000lm (28W), 2500lm (42W), 2800lm (48W), 3500lm (60W), 4000lm (70W), 4500lm (80W), 5000lm (90W)

Color Temperature

COLOR TEMP:	2700K	3000K	3500K	4000K	5000K
CRI:	90	90	90	90	80
Amber:	590nm (Turtle Safe)				



Quick Ship Items

- BL2QZ-59B-Lxx-SYM-WUE-DUN-T27-C90
- BL2QZ-59B-Lxx-SYM-WUE-DUN-T30-C90
- BL2QZ-59B-Lxx-SYM-WUE-DUN-T35-C90
- BL2QZ-59B-Lxx-SYM-WUE-DUN-T40-C90
- BL2QZ-59B-Lxx-SYM-NUE-DUN-T27-C90
- BL2QZ-59B-Lxx-SYM-NUE-DUN-T30-C90
- BL2QZ-59B-Lxx-SYM-NUE-DUN-T35-C90
- BL2QZ-59B-Lxx-SYM-NUE-DUN-T40-C90
- BL2QZ-78B-Lxx-SYM-WUE-DUN-T27-C90
- BL2QZ-78B-Lxx-SYM-WUE-DUN-T30-C90
- BL2QZ-78B-Lxx-SYM-WUE-DUN-T35-C90
- BL2QZ-78B-Lxx-SYM-WUE-DUN-T40-C90
- BL2QZ-78B-Lxx-SYM-NUE-DUN-T27-C90
- BL2QZ-78B-Lxx-SYM-NUE-DUN-T30-C90
- BL2QZ-78B-Lxx-SYM-NUE-DUN-T35-C90
- BL2QZ-78B-Lxx-SYM-NUE-DUN-T40-C90

Electrical

LED Driver: AC 50/60Hz Electronic Direct Current Class 2 driver integrally mounted. Incoming power connects to Terminal Blocks. Power Factor > 0.90.

Minimum Operating Temperature:

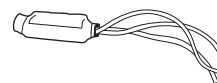
Standard driver: -30°C/-22°F
Cold Weather driver: -40°C/-40°F

Additional Options

Photocell (-SDL): Installed internally in fixture. Sensor enables automatic on/off operation based on ambient light levels, providing dusk-to-dawn functionality.



Surge Protector(-SRG): Protects driver against surges in line voltage/current (20KV, 1.2/50µS & 10KA, 8/20µS). At end-of-life Suppressor opens the circuit to protect the driver. Surge suppressor is a perishable device requiring periodic replacement. Not a warranted item.



Frosted Lens (-FR): Diffuses pattern to reduce shadowing from vertical support arms.

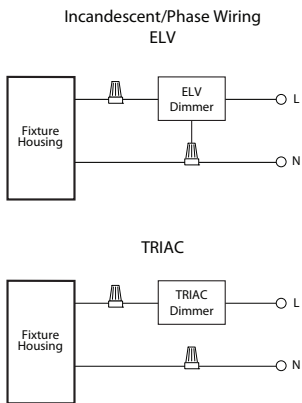


SPECIFICATION (Continued)

Dimming Options

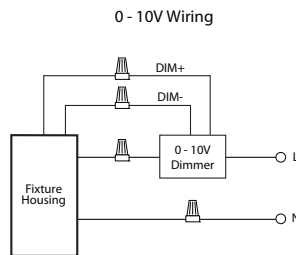
ELV and TRIAC Driver 120V (-DIN):

Compatible with electronic low voltage, and 2-Wire incandescent dimmers. Also known as leading edge, Reverse Phase, Forward Phase dimming. Allows smooth dimming down to 5% depending upon the dimmer's limitations.



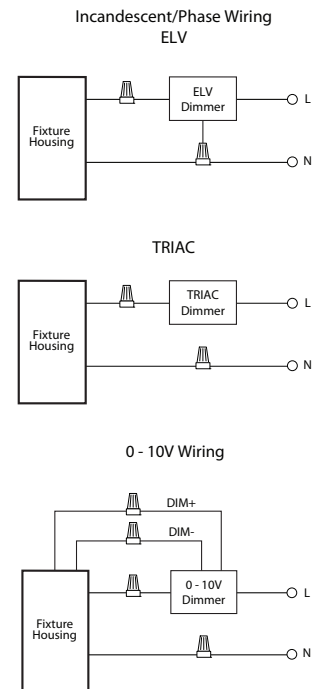
0-10V Driver 120V/277V (UE-D10):

Compatible with most existing 0-10V systems. Also known as fluorescent or 5-Wire dimming. Allows smooth dimming down to 5% depending upon the dimmer's limitations. Compatible with daylight harvesting controls.



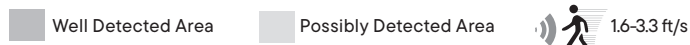
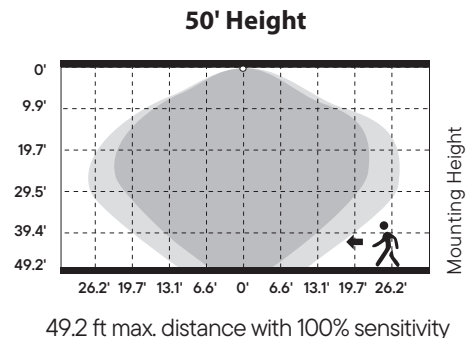
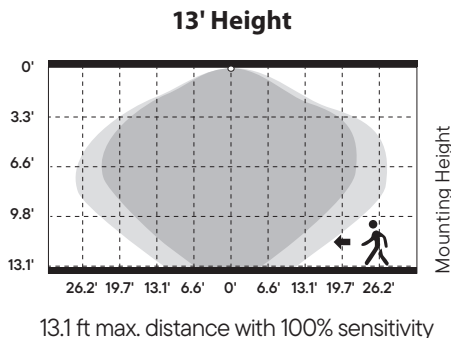
UniDim™ Driver 120V/277V (UE-DUN):

All in one ELV and TRIAC phase dimming (120V only), and 0-10V dimming (120V/277V). Works with most 3-Wire ELV, 2-Wire incandescent and 120V/277V 5-Wire 0-10V fluorescent dimmers.



Unisense™ PROGRAMMABLE MOTION + DAYLIGHT (-SUN-INT, -SUN-INT-1227)

- Microwave and PIR (Passive Infrared) sensors depending on option
- Daylight harvesting
- Dusk/dawn sensing capabilities
- Motion Sensor



SPECIFICATION (Continued)

Integral Emergency Battery (-EMAC)

Integrally mounted inside fixture. Upon failure of normal utility power, the device immediately switches to the emergency mode, operating the LEDs for a minimum of 90 minutes.

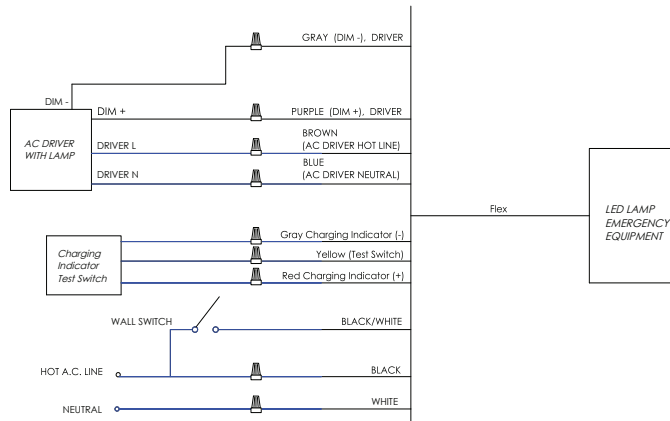
Level A Sound Rating.

Battery Operates @ 0°C to 40°C ambient (32°F to 104°F).

Battery re-charge within 24 hours.

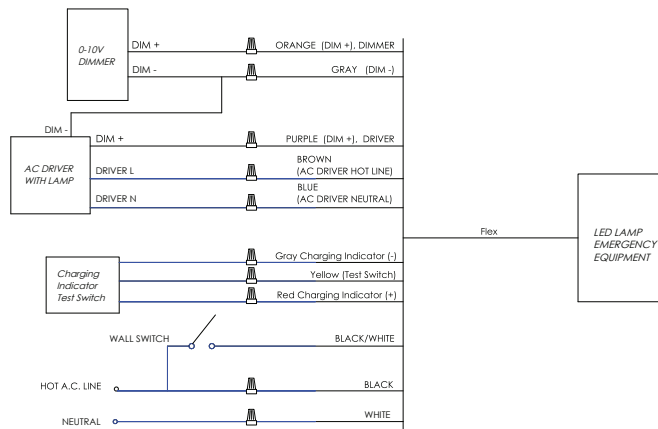
The battery is a maintenance-free, environmentally friendly Lithium Iron Phosphate with 50,000 hour life. A low voltage battery disconnect feature protects the battery from damage during prolonged power failures. Self-diagnostic feature monitors LED status, emergency LED driver circuit, battery capacity and charger function and displays any fault detection via test switch.

<40W LOAD



Input Voltage:	120-277VAC/60Hz
Output Voltage:	170VDC (120VAC Equivalent)
Wattage:	40W
Switching Time:	<1s
Charging Time:	24h
Operating Time:	90 minutes
Minimum Temperature:	0°C
Maximum Temperature:	50°C
Maximum Lumens:	2500lm

>40W LOAD*



*0-10V dimmable LED Driver required.

BL2QZ : LUMENPOLE SQUARE BOLLARD & COLUMN

6" OPEN FRAME - 59", 78", 98", 118" AND 144" HEIGHT
1600LM - 5000LM (20W - 90W)

SPECIFICATION (Continued)

Marine Grade

The fixture features a marine-grade textured powder coat finish engineered to withstand extreme environmental conditions, including prolonged exposure to UV radiation, salt air, and moisture, which are prevalent in coastal and high-humidity environments.

A multi-stage surface preparation, finishing, and curing process ensures maximum adhesion, durability, and corrosion resistance. The coating system undergoes rigorous salt spray (ASTM B117) testing, overbake resistance verification, and pencil hardness testing to validate its robustness against degradation.

The marine-grade powder coat is applied as a 30–50 μm bottom layer, providing a strong anti-corrosion foundation. This is further enhanced by a surface coat using a standard architectural-grade powder application with a total thickness of 80–120 μm , ensuring superior resistance to wear, impact, and environmental stressors.

BL2QZ : LUMENPOLE SQUARE BOLLARD & COLUMN

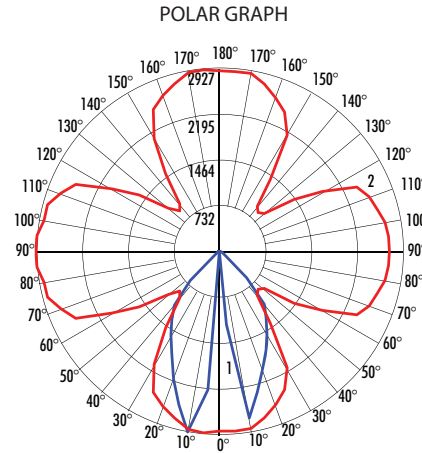
6" OPEN FRAME - 59", 78", 98", 118" AND 144" HEIGHT
1600LM - 5000LM (20W - 90W)

PHOTOMETRY

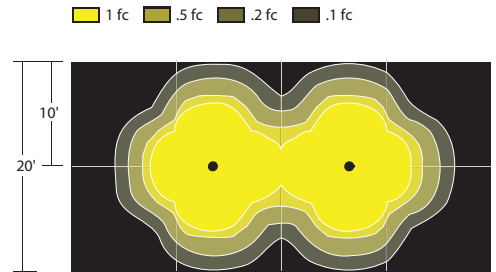
BL2QZ-59-B-L30-SYM-N-T40-C90 (59" Height, 2100lm*, 42W, Symmetric Narrow, 45°, 4000K)

System Power: 43.1W
Test Date: 07/2025
Beam Angle 50%: 62.8°
Field Angle 10%: 95.8°
Color Temperature: 3941K
CRI: 93.8
Lumens Delivered: 2271
Power Factor: 0.99

MULTIPLIERS	
LUMEN PACKAGE	
L18	0.64
L24	0.80
L30	1.00
L34	1.12
L40	1.40
L50	1.60
L60	1.80
L70	1.96
CCT	
2700K :	0.91
3000K :	0.94
3500K :	0.97
4000K :	1.00
5000K :	1.04
OPTIONS	
-FR :	0.80



FOOTCANDLES ON GROUND
2 Fixture Overlap, 13 Ft. Spacing
4.45 Ft. Light Source Mtg. Ht., 2271lm

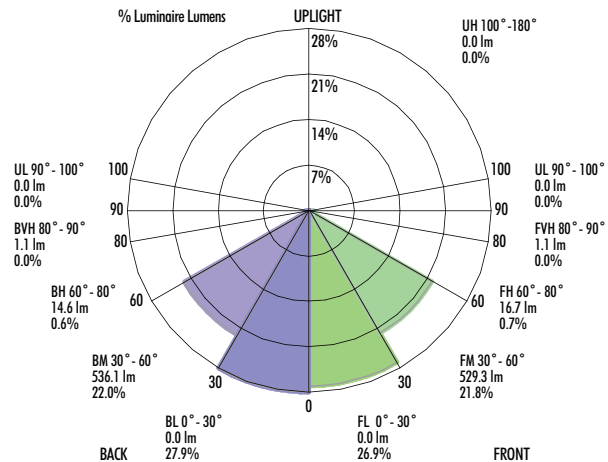


Maximum Candela = 2927 Located At Horizontal Angle = 175, Vertical Angle = 10
1 - Vertical Plane Through Horizontal Angles (175 - 355) (Through Max. Cd.)
2 - Horizontal Cone Through Vertical Angle (10) (Through Max. Cd.)

LCS TABLE

BUG RATING	B2-U0-G0	
	Lumens	Lumens %
FRONT		
Low (0-30°)	0.0	26.9%
Medium (30°-60°)	529.3	21.8%
High (60°-80°)	16.7	0.7%
Very High (80°-90°)	1.1	0.0%
BACK		
Low (0-30°)	0.0	27.9%
Medium (30°-60°)	536.1	22.0%
High (60°-80°)	14.6	0.6%
Very High (80°-90°)	1.1	0.0%
UPLIGHT		
Low (90°-100°)	0.0	0.0%
High (100°-180°)	0.0	0.0%

LCS GRAPH



*Lumens delivered

2025.07.07

BL2QZ : LUMENPOLE SQUARE BOLLARD & COLUMN

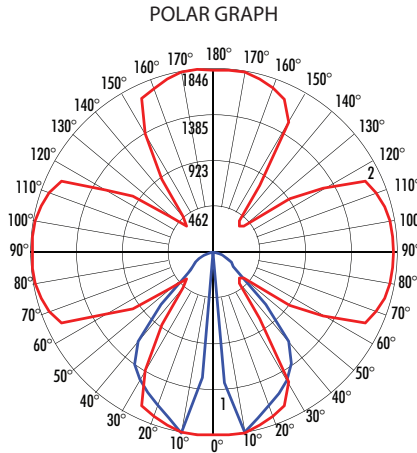
6" OPEN FRAME - 59", 78", 98", 118" AND 144" HEIGHT
1600LM - 5000LM (20W - 90W)

PHOTOMETRY (Continued)

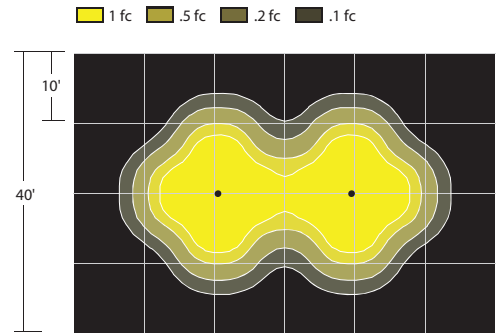
BL2QZ-59-B-L30-SYM-W-T40-C90 (59" Height, 2100lm*, 42W, Symmetric Wide, 75°, 4000K)

System Power: 43.1W
Test Date: 07/2025
Beam Angle 50%: 86.0°
Field Angle 10%: 123.8°
Color Temperature: 3941K
CRI: 93.8
Lumens Delivered: 2284
Power Factor: 0.99

MULTIPLIERS	
LUMEN PACKAGE	
L18	0.64
L24	0.80
L30	1.00
L34	1.12
L40	1.40
L50	1.60
L60	1.80
L70	1.96
CCT	
2700K :	0.91
3000K :	0.94
3500K :	0.97
4000K :	1.00
5000K :	1.04
OPTIONS	
-FR :	0.80



FOOTCANDLES ON GROUND
2 Fixture Overlap, 19 Ft. Spacing
4.45 Ft. Light Source Mtg. Ht., 2284lm

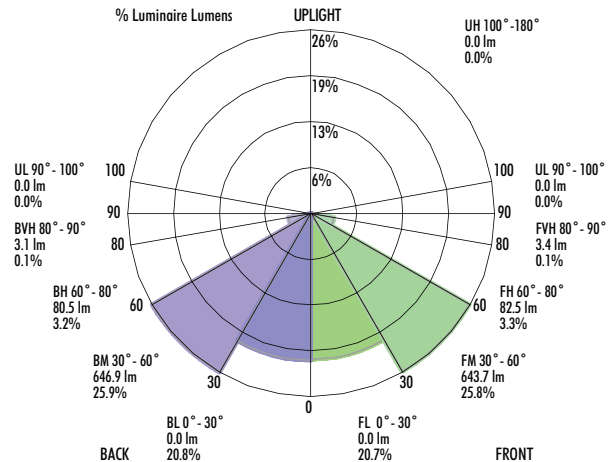


Maximum Candela = 1846 Located At Horizontal Angle = 95, Vertical Angle = 10
1 - Vertical Plane Through Horizontal Angles (95 - 275) (Through Max. Cd.)
2 - Horizontal Cone Through Vertical Angle (10) (Through Max. Cd.)

LCS TABLE

BUG RATING	B2-U0-G0	
	Lumens	Lumens %
FRONT		
Low (0-30°)	0.0	20.7%
Medium (30°-60°)	643.7	25.8%
High (60°-80°)	82.5	3.3%
Very High (80°-90°)	3.4	0.1%
BACK		
Low (0-30°)	0.0	20.8%
Medium (30°-60°)	646.9	25.9%
High (60°-80°)	80.5	3.2%
Very High (80°-90°)	3.1	0.1%
UPLIGHT		
Low (90°-100°)	0.0	0.0%
High (100°-180°)	0.0	0.0%

LCS GRAPH



*Lumens delivered

BL2QZ : LUMENPOLE SQUARE BOLLARD & COLUMN

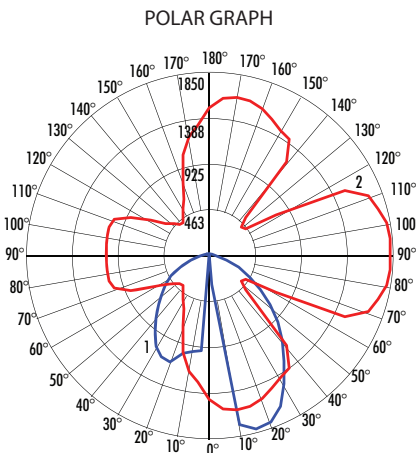
6" OPEN FRAME - 59", 78", 98", 118" AND 144" HEIGHT
1600LM - 5000LM (20W - 90W)

PHOTOMETRY (Continued)

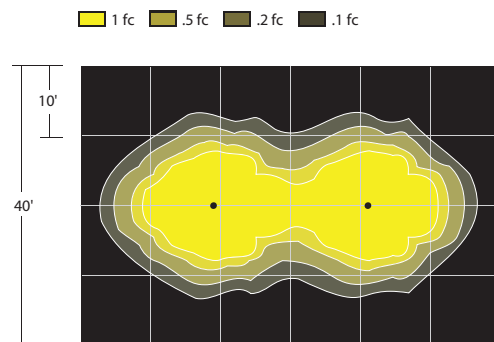
BL2QZ-59-B-L30-ASY-FT-T40-C90 (59" Height, 2100lm*, 42W, Asymmetric Forward Throw, 4000K)

System Power: 43.1W
Test Date: 07/2025
Beam Angle 50%: 75.2°
Field Angle 10%: 114.2°
Color Temperature: 3941K
CRI: 93.8
Lumens Delivered: 2176
Power Factor: 0.99

MULTIPLIERS	
LUMEN PACKAGE	
L18	0.64
L24	0.80
L30	1.00
L34	1.12
L40	1.40
L50	1.60
L60	1.80
L70	1.96
CCT	
2700K :	0.91
3000K :	0.94
3500K :	0.97
4000K :	1.00
5000K :	1.04
OPTIONS	
-FR :	0.80



FOOTCANDLES ON GROUND
2 Fixture Overlap, 22 Ft. Spacing
4.45 Ft. Light Source Mtg. Ht., 2176lm

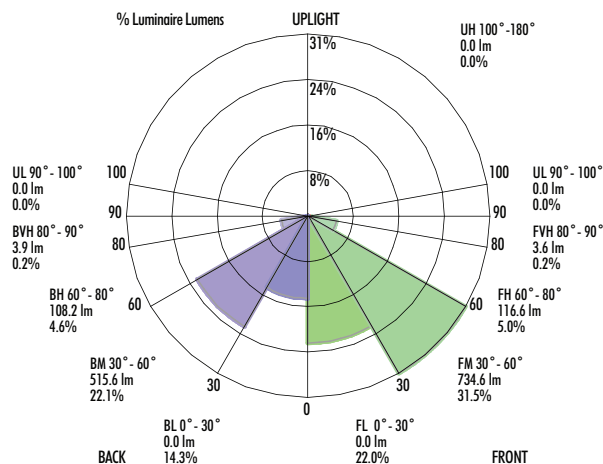


Maximum Candela = 1850 Located At Horizontal Angle = 5, Vertical Angle = 15
1 - Vertical Plane Through Horizontal Angles (5 - 185) (Through Max. Cd.)
2 - Horizontal Cone Through Vertical Angle (15) (Through Max. Cd.)

LCS TABLE

BUG RATING	B1-U0-G0	
	Lumens	Lumens %
FRONT		
Low (0-30°)	0.0	22.0%
Medium (30°-60°)	734.6	31.5%
High (60°-80°)	116.6	5.0%
Very High (80°-90°)	3.6	0.2%
BACK		
Low (0-30°)	0.0	14.3%
Medium (30°-60°)	515.6	22.1%
High (60°-80°)	108.2	4.6%
Very High (80°-90°)	3.9	0.2%
UPLIGHT		
Low (90°-100°)	0.0	0.0%
High (100°-180°)	0.0	0.0%

LCS GRAPH



*Lumens delivered

BL2QZ : LUMENPOLE SQUARE BOLLARD & COLUMN

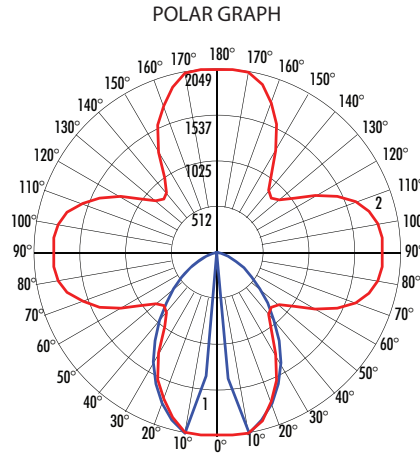
6" OPEN FRAME - 59", 78", 98", 118" AND 144" HEIGHT
1600LM - 5000LM (20W - 90W)

PHOTOMETRY (Continued)

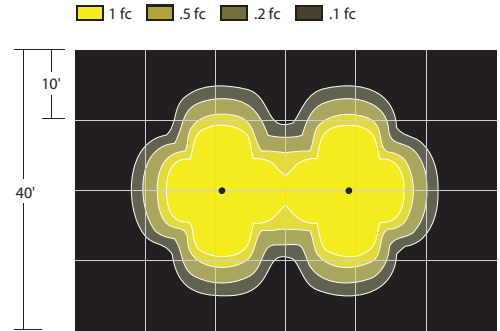
BL2QZ-59-B-L30-ASY-W-T40-C90 (59" Height, 2100lm*, 42W, Asymmetric Wide, 4000K)

System Power: 43.1W
Test Date: 07/2025
Beam Angle 50%: 79.3°
Field Angle 10%: 133.3°
Color Temperature: 3941K
CRI: 93.8
Lumens Delivered: 1991
Power Factor: 0.99

MULTIPLIERS	
LUMEN PACKAGE	
L18	0.64
L24	0.80
L30	1.00
L34	1.12
L40	1.40
L50	1.60
L60	1.80
L70	1.96
CCT	
2700K	0.91
3000K	0.94
3500K	0.97
4000K	1.00
5000K	1.04
OPTIONS	
-FR:	0.80



FOOTCANDLES ON GROUND
2 Fixture Overlap, 18 Ft. Spacing
4.45 Ft. Light Source Mtg. Ht., 1991lm

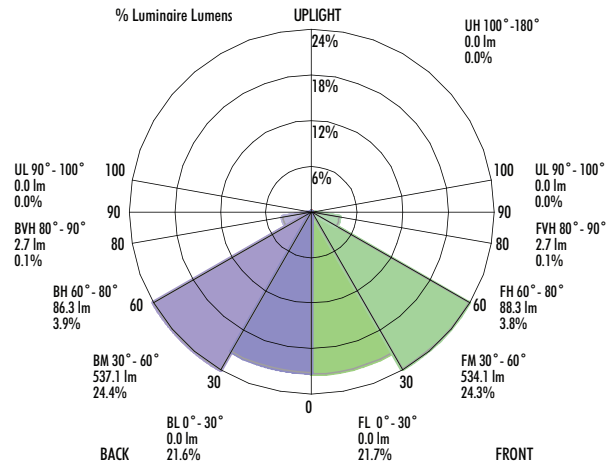


Maximum Candela = 2049 Located At Horizontal Angle = 95, Vertical Angle = 10
1 - Vertical Plane Through Horizontal Angles (95 - 275) (Through Max. Cd.)
2 - Horizontal Cone Through Vertical Angle (10) (Through Max. Cd.)

LCS TABLE

BUG RATING	B1-U0-G0	
	Lumens	Lumens %
FRONT		
Low (0-30°)	0.0	21.7%
Medium (30°-60°)	534.1	24.3%
High (60°-80°)	83.3	3.8%
Very High (80°-90°)	2.7	0.1%
BACK		
Low (0-30°)	0.0	21.6%
Medium (30°-60°)	537.1	24.4%
High (60°-80°)	86.3	3.9%
Very High (80°-90°)	2.7	0.1%
UPLIGHT		
Low (90°-100°)	0.0	0.0%
High (100°-180°)	0.0	0.0%

LCS GRAPH



*Lumens delivered