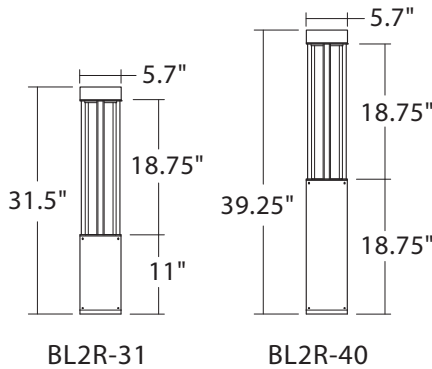


BL2R-31/40 : LUMENPOLE ROUND BOLLARD

6" FROSTED LENS - 31", AND 40" HEIGHT
1200LM / 1500LM (13W / 18W)

Optical Height:
BL2R-31: 19"
BL2R-40: 24"



- U.S. Assembled
- Tamper Resistant Hardware
- IK08 Impact Rating
- RGBW Option
- Integral Emergency Option
- Optional Photocell Sensor
- Quick Ship Options Available

ORDERING : BL2R-31B-SYM-W-T27-C80

BL2R		Fixture	Height	Finish	Optic	Control	LED	Emergency Options	Options
Height				Finish		Control			LED
31" Bollard, 1200lm (13W)	-31 ¹			Black	B	UniDim™ 0-10V, TRIAC/ELV Dimming (120V/277V)		Blank	2700K (80 CRI) -T27-C80
40" Bollard, 1500lm (18W)	-40			White	W²	Dali Dimming (120V/277V)		UE-DLI^{1,3}	3000K (80 CRI) -T30-C80
				Silver	S²	Casambi Wireless Dimming (120V/277V)		-DCSM	3500K (80 CRI) -T35-C80
				Bronze	BZ	BubblyNet Wireless System (120V/277V)		-DBNT¹	4000K (80 CRI) -T40-C80
				Optic		SimplySnap Wireless System (120V/277V)		-DSYN^{1,6}	5000K (80 CRI) -T50-C80
				Symmetric Wide (120°)	-SYM-W	UniSense - Integral Motion/Photosensor (120V)		-SUN-INT^{1,7}	RGB+W -RGBW^{1,5}
						UniSense - Integral Motion/Photosensor (120V/277V)		-SUN-INT-1227^{1,7}	Color Changing -RGBW^{1,5}
									Emergency Options
									None Blank
									Remote Full Power Emergency Option -EMAC³
									Options
									None Blank
									Photocell Sensor -SDL³
									Surge Protector (120V/277V) -SRG³
									Cold Weather -CW⁴
									Marine Grade Finish -MGD

¹ Special order. Minimum Order. Extended lead time may apply. Consult Factory.
² Special Order Finish. Minimum order quantity (MOQ) applies. Orders less than MOQ are subject to a special paint set-up fee for the quantity ordered. Extended lead times may apply. Consult Factory.
³ Not rated for cold weather. Minimum fixture outdoor temperature, 0°C (32°F).
⁴ Starting Temperature -40°C/-40°F. Only available with (Blank UniDim™) control option.
⁵ Remote Power Supplies and Control Gear required. Available with Wireless Bluetooth Casambi or DMX 512 control. Consult Factory for Details.
⁶ Special Order. Sent with surface mount JBOX to allow for direct-conduit entry.
⁷ Only Available for (-40) Height Option.

Lumen values only apply to white light not (-RGBW) LED option.
 Custom RAL Color: Please note that we appreciate custom finishes. Custom finishes are subject to a special paint setup fee for the quantity ordered. Extended lead times may apply. Consult Factory.
 Consult factory for possible additional options including: USB, AC outlet, speaker hubs, wireless, node mounting, PC/Motion sensor, 7-pin photocell receptacle (C136.41 compliant) only w/shorting cap, accepts standard twist-lock photocell or PC/Control Node for wireless dimming control.

SPECIFICATION

Application

6" diameter LumenPole Light Columns and Bollards are designed for architectural relevance to intimate indoor and outdoor environments where pedestrian level illumination is required. Provides illumination to light walkways, public gathering spaces, gardens, along waterfronts and marinas and other public and private areas. Typical applications include residential, commercial, and retail.

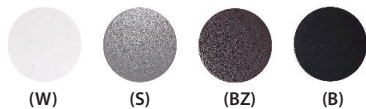
Housing, Arms, Enclosure Lens

Housing and vertical support Arms are constructed from curvilinear and trapezoid shaped high-grade robust aluminum extrusion. A white opal acrylic lens encloses the openings between the vertical support arms. End caps are die-cast aluminum and seal the housing (top and bottom) using silicone O-rings. An oval hand hole in the base provides access to electrical and mounting components. Hand hole cover is flush mount to the luminaire body. A fabricated aluminum mounting plate installs onto supplied stainless steel anchor bolts and secures to the housing at the base with countersunk, Phillips head, stainless steel screws.

Housing, Arms, Enclosure Lens

The 5.7" round mounting plate with U-bracket installs supplied stainless steel anchor bolts (or other hardware) on a solid substrate. For specific mounting options see installation instructions.

Finish



A 7-stage electrostatic, polymer process provides an outdoor powder coat finish that delivers outstanding durability, superior anti-aging, resistance to corrosion and UV-degradation.

Standard Finishes:

White: *RAL 9005* (B)
Silver: *RAL 7037* (S)
Bronze: *RAL 8019* (BZ)
Black: *RAL 9005* (B)

Consult factory for Custom Color.

Paint does not contain any copper compounds or elements.

Certifications and Listings



ETL / cETL Listed to UL1598 and UL8750 standards.

Suitable wet locations. (IP66)

Assembled in USA.

IK08 rated - Protected against 5 joules impact. Equivalent to impact of 1.7 kg mass dropped from 300 mm above impacted surface.

BL2R-31/40 : LUMENPOLE ROUND BOLLARD

6" FROSTED LENS - 31", AND 40" HEIGHT
1200LM / 1500LM (13W / 18W)

SPECIFICATION (Continued)

Caution

LITON recommends use of surge protectors on incoming power. Locate them in the most convenient servicing location. Surge damage is not covered by warranty.

Warranty

Covered by a 5-Year Warranty to be free of defects in materials and craftsmanship. Fixture should not be installed in applications with ambient temperature above 60°C. Doing so will result in reduced lamp life and voided warranty.

Optics

The diffusing enclosure lens produces a Symmetric Wide (-SYM-W) distribution.

LED

LED arrays mount to vertical triangular core to radially illuminate the white opal lens. Triangular core design produces a full 360° illumination. Standard LED arrays come in 80 CRI. Consult Factory for any custom setups (colors or CRI).

Lumen Maintenance

Minimum 50,000 hours L70 life based on ANSI TM-21 calculations from LM80 standardized test results..

Lumen Options (Delivered)

1200lm (13W), 1500lm (18W)

Color Temperature

COLOR TEMP:	2700K	3000K	3500K	4000K	5000K
CRI:	80	80	80	80	80



RGB+W

RGB+W LED Module Illuminates surfaces up to 10 feet away. Used for applications desiring a dynamic color changing effect. RGBW design allows fine-tuned pastel colors and saturated hues without sacrificing illumination brightness. Can be set for static colors or dynamic shows. Multiple control options available with either Wireless Bluetooth control or DMX 512 remote mounted decoders.

On-site commissioning and programming available. Consult Factory for Layout Assistance and Lead Times.



Quick Ship Items

- BL2R-40B-SYM-W-T30-C80
- BL2R-40B-SYM-W-T40-C80

Electrical

LED Driver: AC 50/60Hz Electronic Direct Current Class 2 driver integrally mounted. Incoming power connects to Terminal Blocks. Power Factor > 0.90.

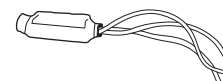
Minimum Operating Temperature:
Standard: -10°C/14°F
Cold Weather Option: -40°C/-40°F

Additional Options

Photocell (-SDL): Installed internally in fixture. Sensor provides a smart lighting control for energy efficient lighting.



Surge Protector(-SRG): Protects driver against surges in line voltage/current (20KV, 1.2/50µs & 10KA, 8/20µs). At end-of-life Suppressor opens the circuit to protect the driver. Surge suppressor is a perishable device requiring periodic replacement. Not a warranted item.



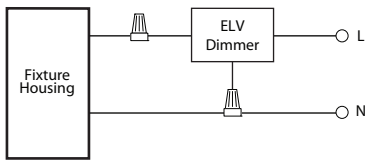
SPECIFICATION (Continued)

Dimming Options

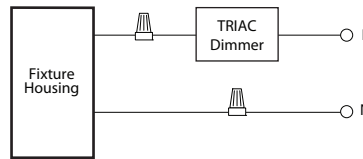
UniDim™ Driver 120V/277V (UE-DUN):

All in one ELV and TRIAC phase dimming (120V only), and 0-10V dimming (120V/277V). Works with most 3-Wire ELV, 2-Wire incandescent and 120V/277V 5-Wire 0-10V fluorescent dimmers.

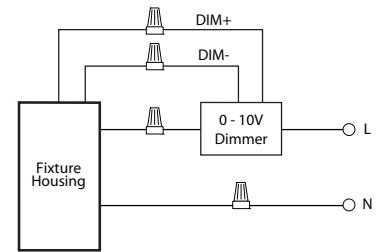
Incandescent/Phase Wiring
ELV



TRIAC



0 - 10V Wiring



Marine Grade

The fixture features a marine-grade textured powder coat finish engineered to withstand extreme environmental conditions, including prolonged exposure to UV radiation, salt air, and moisture, which are prevalent in coastal and high-humidity environments.

A multi-stage surface preparation, finishing, and curing process ensures maximum adhesion, durability, and corrosion resistance. The coating system undergoes rigorous salt spray (ASTM B117) testing, overbake resistance verification, and pencil hardness testing to validate its robustness against degradation.

The marine-grade powder coat is applied as a 30–50 µm bottom layer, providing a strong anti-corrosion foundation. This is further enhanced by a surface coat using a standard architectural-grade powder application with a total thickness of 80–120 µm, ensuring superior resistance to wear, impact, and environmental stressors.

BL2R-31/40 : LUMENPOLE ROUND BOLLARD

6" FROSTED LENS - 31", AND 40" HEIGHT
1200LM / 1500LM (13W / 18W)

SPECIFICATION (Continued)

RGB+W:



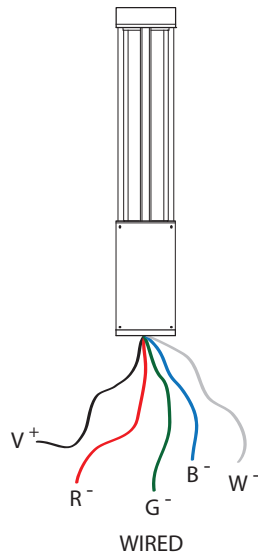
CASAMBI

15W RGBW LED Module illuminates surfaces up to 10 feet away. Used for applications desiring a dynamic color changing effect. RGB+W design allows fine-tuned pastel colors and saturated hues without sacrificing illumination brightness. Can be set for static colors or dynamic shows. Multiple control options available with either CASAMBI Wireless Bluetooth control or DMX 512 remote mounted decoders.

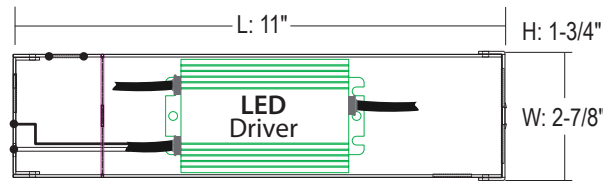
On-site commissioning and programming available.

Consult Factory for Layout Assistance and Lead Times.

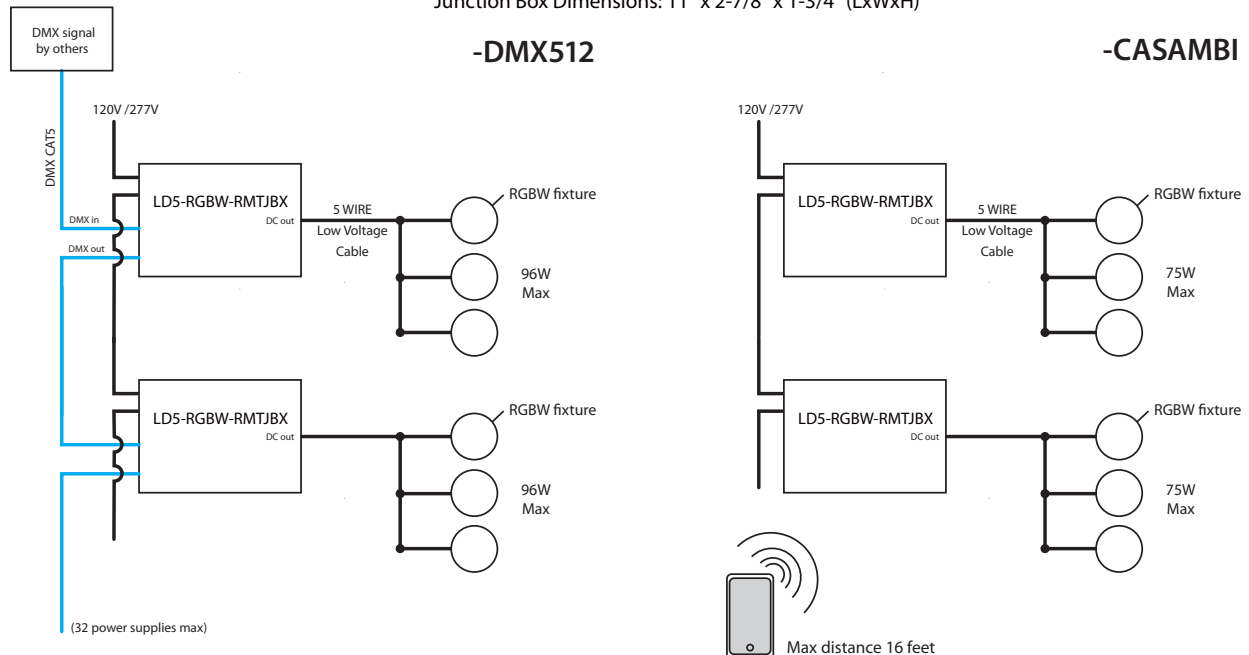
COLOR	CCT/WAVELENGTH	POWER
Red	640nm	3.1W
Green	520nm	3.1W
Blue	450nm	3.1W
White	2700K	3.1W



Remote Power Supply	Controls		Wattage
LD5-RGBW-RMTJBX	Remote Mounted Decoder	-DMX512	15W -W15
	Wireless Bluetooth Control	-CASAMBI	30W -W30
			60W -W60
			96W -W96



Junction Box Dimensions: 11" x 2-7/8" x 1-3/4" (LxWxH)



NOTE: Power supply must be placed in dry locations only. 100 feet max for 5 wire low voltage cable 18AWG.

SPECIFICATION (Continued)

Integral Emergency Battery (-EMAC)

Integrally mounted inside fixture. Upon failure of normal utility power, the device immediately switches to the emergency mode, operating the LEDs for a minimum of 90 minutes.

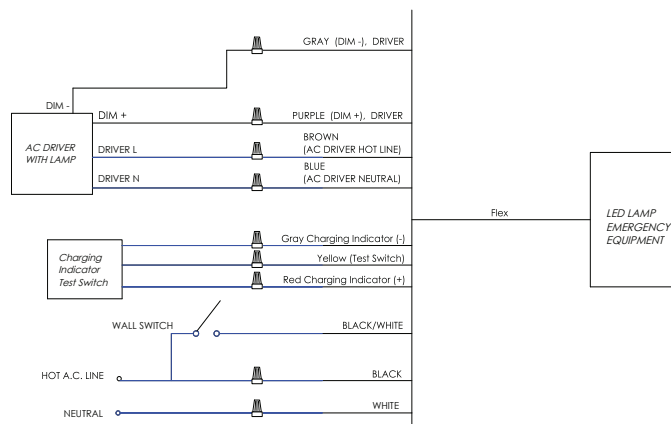
Level A Sound Rating.

Battery Operates @ 0°C to 40°C ambient (32°F to 104°F).

Battery re-charge within 24 hours.

The battery is a maintenance-free, environmentally friendly Lithium Iron Phosphate with 50,000 hour life. A low voltage battery disconnect feature protects the battery from damage during prolonged power failures. Self-diagnostic feature monitors LED status, emergency LED driver circuit, battery capacity and charger function and displays any fault detection via test switch.

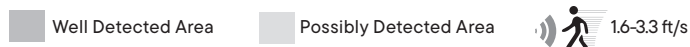
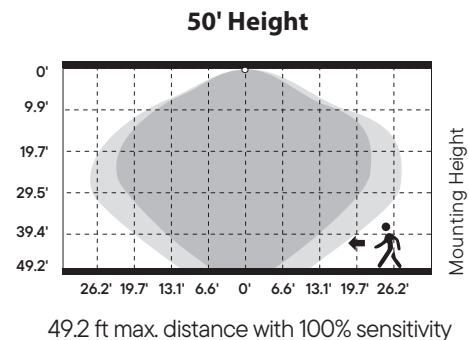
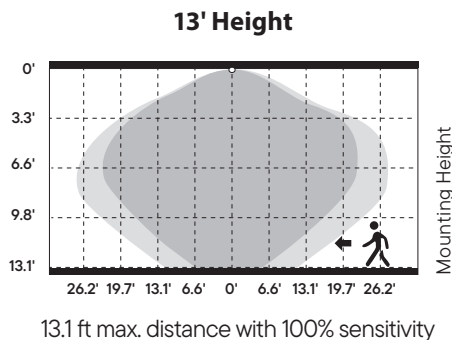
<40W LOAD



Input Voltage:	120-277VAC/60Hz
Output Voltage:	170VDC (120VAC Equivalent)
Wattage:	40W
Switching Time:	<1s
Charging Time:	24h
Operating Time:	90 minutes
Minimum Temperature:	0°C
Maximum Temperature:	50°C
Maximum Lumens:	2500lm

Unisense™ PROGRAMMABLE MOTION + DAYLIGHT (-SUN-INT, -SUN-INT-1227)

- Microwave and PIR (Passive Infrared) sensors depending on option
- Daylight harvesting
- Dusk/dawn sensing capabilities
- Motion Sensor



BL2R-31/40 : LUMENPOLE ROUND BOLLARD

6" FROSTED LENS - 31", AND 40" HEIGHT
1200LM / 1500LM (13W / 18W)

PHOTOMETRY

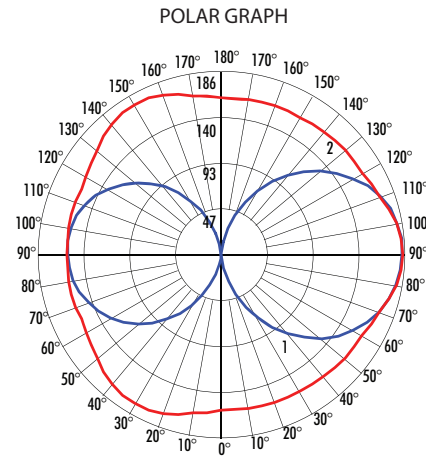
BL2R-40-B-SYM-W-T30-C80 (40" Height, 18W, Symmetric Wide, 3000K)

System Power: 17.3W
 Test Date: 09/2023
 Beam Angle 50%: 180.0°
 Field Angle 10%: 180.0°
 Color Temperature: 3000K
 CRI: 80
 Lumens Delivered: 1567
 CBCP: 185
 Power Factor: 0.99

MULTIPLIERS

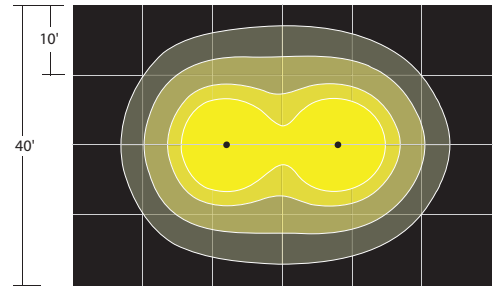
HEIGHT	
31"	0.74
40"	1.00

CCT	
2700K :	0.94
3000K :	1.00
3500K :	1.02
4000K :	1.06



FOOTCANDLES ON GROUND
 2 Fixture Overlap, 16 Ft. Spacing
 2.05 Ft. Optical. Ht., 1567 lm

1 fc 0.5 fc 0.2 fc 0.1 fc

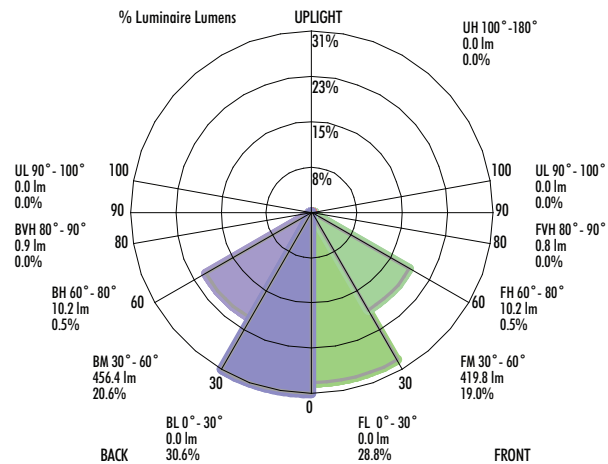


Maximum Candela = 186 Located At Horizontal Angle = 0, Vertical Angle = 95
 # 1 - Vertical Plane Through Horizontal Angles (0 - 180) (Through Max. Cd.)
 # 2 - Horizontal Cone Through Vertical Angle (95) (Through Max. Cd.)

LCS TABLE

BUG RATING	B1-U4-G1	
	Lumens	Lumens %
FRONT		
Low (0-30°)	0.0	1.2%
Medium (30°-60°)	129.5	8.3%
High (60°-80°)	158.6	10.1%
Very High (80°-90°)	90.6	5.8%
BACK		
Low (0-30°)	0.0	1.2%
Medium (30°-60°)	127.4	8.1%
High (60°-80°)	155.9	10.0%
Very High (80°-90°)	89.4	5.7%
UPLIGHT		
Low (90°-100°)	0.0	11.6%
High (100°-180°)	597.4	38.1%

LCS GRAPH



2023.10.19

*Lumens delivered