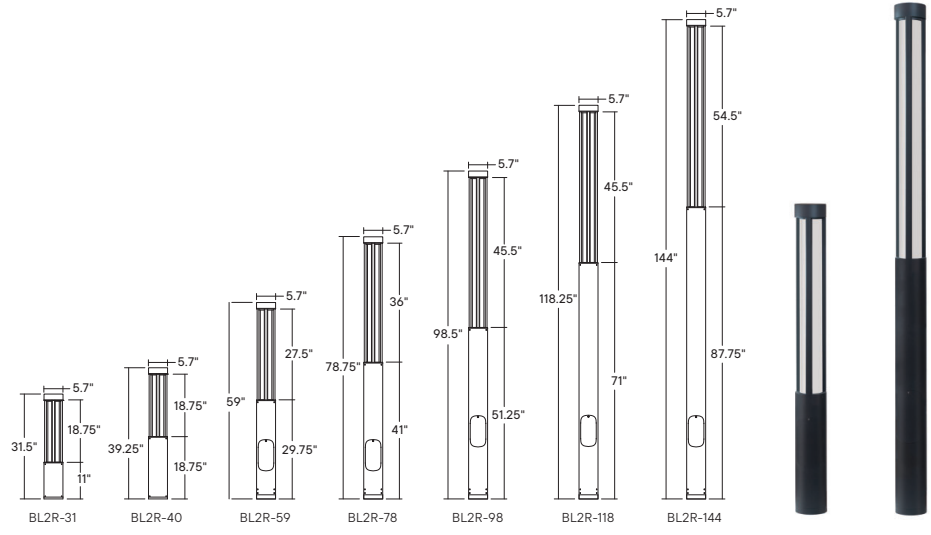
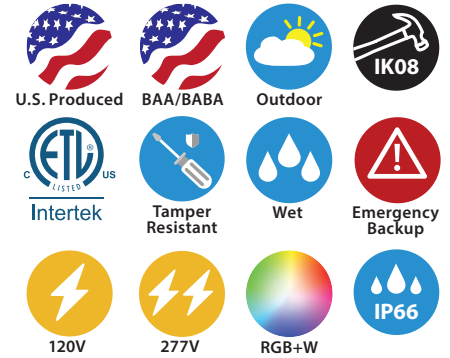


BL2R-USA : LUMENPOLE ROUND BOLLARD & COLUMN

6" FROSTED LENS - 31", 40", 59", 78", 98", 118", AND 144" HEIGHT
 1000LM-3100LM (13W-30W)



- **Produced in USA**
- Tamper Resistant Hardware
- IK08 Impact Rating
- RGB+W Available
- 10W Emergency Battery Option
- Optional Photocell Sensor

ORDERING : BL2R-USA-118B-SYM-WUE-D10-T40-EM-SDL

BL2R-USA

Fixture	Height	Finish	Optic	Control	LED	Emergency Options	Options
Height		Finish		Control		Emergency Options	
31" Bollard, 1000lm (13W)	-31¹	Black	B	Non-Dimming (120V)	Blank	None	Blank
40" Bollard, 1500lm (18W)	-40	White	W²	0-10V Dimming (120V/277V)	UE-D10	10W Emergency Battery	-EM
59" Light Column, 1700lm (20W)	-59	Silver	S²				
78" Light Column, 2100lm (25W)	-78	Bronze	BZ²				
98" Light Column, 2700lm (30W)	-98						
118" Light Column, 3100lm (30W)	-118¹	Optic		LED		Options	
144" Light Column, 3000lm (30W)	-144¹	Symmetric	-SYM-W	2700K (90 CRI)	-T27¹	None	Blank
		Wide (120°)		3000K (90 CRI)	-T30	Photocell Sensor (120V/277V)	-SDL
				3500K (90 CRI)	-T35	Surge Protector (120V/277V)	-SRG
				4000K (90 CRI)	-T40	Marine Grade Finish	-MGD¹
				Color Changing	-RGB+W^{1,3}		

¹ Special order. Minimum order quantity, extended lead time, and setup fee may apply. Consult factory.

² Special Order Finish. Minimum order quantity (MOQ) applies. Orders less than MOQ are subject to a special paint set-up fee for the quantity ordered. Extended lead times may apply. Consult Factory.

³ Remote Power Supplies and Control Gear required. Available with Wireless Bluetooth Casambi or DMX 512 control. Consult Factory for Details.

Custom RAL Color: Please note that we appreciate custom finishes. Custom finishes are subject to a special paint setup fee for the quantity ordered. Extended lead times may apply. Consult Factory.

Consult factory for possible additional options including: USB, AC outlet, speaker hubs, wireless, node mounting, PC/Motion sensor, 7-pin photocell receptacle (C136.41 compliant) only w/shorting cap, accepts standard twist-lock photocell or PC/Control Node for wireless dimming control.

SPECIFICATION

Application

6" diameter LumenPole Light Columns and Bollards are designed for architectural relevance to intimate indoor and outdoor environments where pedestrian level illumination is required. The COB LED with reflector provides illumination downward on the ground to light walkways, public gathering spaces, gardens, along waterfronts and marinas and other public and private areas. Typical applications include residential, commercial, and retail.

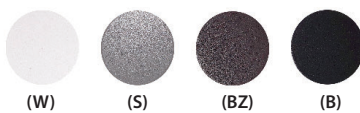
Housing, Arms, Enclosure Lens

Housing and vertical support Arms are constructed from curvilinear and trapezoid shaped high-grade robust aluminum extrusion. A white opal acrylic lens encloses the openings between the vertical support arms. End caps are die-cast aluminum and seal the housing (top and bottom) using silicone O-rings. An oval hand hole in the base provides access to electrical and mounting components. Hand hole cover is flush mount to the luminaire body. A fabricated aluminum mounting plate installs onto supplied stainless steel anchor bolts and secures to the housing at the base with countersunk, Phillips head, stainless steel screws. Free of burrs and sharp corners and edges.

Housing, Arms, Enclosure Lens

The 5.7" round mounting plate with U-bracket installs supplied stainless steel anchor bolts (or other hardware) on a solid substrate. For specific mounting options see installation instructions.

Finish



A 7-stage electrostatic, polymer process provides an outdoor powder coat finish that delivers outstanding durability, superior anti-aging, resistance to corrosion and UV-degradation.

Standard Finishes:

White: *RAL 9003* (B)
Silver: *RAL 7037* (S)
Bronze: *RAL 8019* (BZ)
Black: *RAL 9005* (B)

Consult factory for Custom Color.

Paint does not contain any copper compounds or elements.

Certifications and Listings



ETL / cETL Listed to UL1598 and UL8750 standards.

Suitable wet locations. (IP66)

Produced in USA.

IK08 rated - Protected against 5 joules impact. Equivalent to impact of 1.7 kg mass dropped from 300 mm above impacted surface.

Meets NFPA 70/NEC Code on Listings

BL2R-USA : LUMENPOLE ROUND BOLLARD & COLUMN

6" FROSTED LENS - 31", 40", 59", 78", 98", 118", AND 144" HEIGHT
1000LM-3100LM (13W-30W)

SPECIFICATION (Continued)

Caution

LITON recommends use of surge protectors on incoming power. Locate them in the most convenient servicing location. Surge damage is not covered by warranty.

Warranty

Covered by a 5-Year Warranty to be free of defects in materials and craftsmanship. Fixture should not be installed in applications with ambient temperature above 60°C. Doing so will result in reduced lamp life and voided warranty.

Optics

White Opal Acrylic enclosure lens produces a smooth Symmetric Wide (-SYM-W) distribution.

LED

LED arrays mount to vertical triangular core to radially illuminate the white opal lens. Triangular core design produces a full 360° illumination. Standard LED arrays come in 90 CRI. Consult Factory for any custom setups (colors or CRI).

Lumen Maintenance

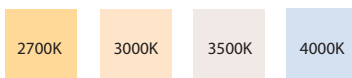
Minimum 50,000 hours L70 life based on ANSI TM-21 calculations from LM80 standardized test results..

Lumen Options (Delivered)

1000lm (13W), 1500lm (18W), 1700lm (20W), 2100lm (25W), 2700lm (30W), 3000lm (30W), 3100lm (30W)

Color Temperature

COLOR TEMP:	2700K	3000K	3500K	4000K
CRI:	90	90	90	90



RGB+W

For applications desiring a dynamic color changing effect. RGB+W design allows fine-tuned pastel colors and saturated hues without sacrificing illumination brightness. Can be set for static colors or dynamic shows. Multiple control options available with either Wireless Bluetooth control or DMX 512 remote mounted decoders.

On-site commissioning and programming available. Consult Factory for Layout Assistance and Lead Times.



Electrical

LED Driver: AC 50/60Hz Electronic Direct Current Class 2 driver integrally mounted. Incoming power connects to Terminal Blocks. Power Factor shall be >90% at full load with THD <20% at full load. Electrical Output shall be isolated.

Minimum Operating Temperature:
Standard: -10°C/14°F

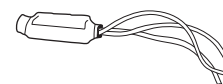
Additional Options

Photocell (-SDL): For 120V/277V input. Installed internally in fixture. Sensor enables automatic on/off operation based on ambient light levels, providing dusk-to-dawn functionality.



Surge Protector(-SRG): Protects driver against surges in line voltage/current (20KV, 1.2/50µS & 10KA, 8/20µS).

At end-of-life Suppressor opens the circuit to protect the driver. Surge suppressor is a perishable device requiring periodic replacement. Not a warranted item.



BL2R-USA : LUMENPOLE ROUND BOLLARD & COLUMN

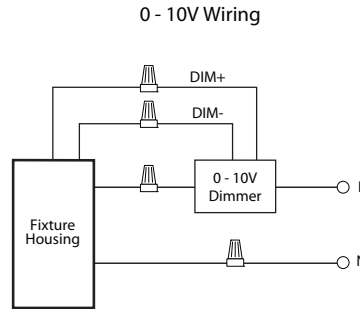
6" FROSTED LENS - 31", 40", 59", 78", 98", 118", AND 144" HEIGHT
1000LM-3100LM (13W-30W)

SPECIFICATION (Continued)

Dimming Options

0-10V Driver 120V/277V (UE-D10):

Compatible with most existing 0-10V systems. Also known as fluorescent or 5-Wire dimming. Allows smooth dimming down to 5% depending upon the dimmer's limitations. Compatible with daylight harvesting controls.



EMERGENCY BATTERY (-EM): 10W

- Must be installed in Dry Locations
- 10W constant output to LED lamp

Not rated for outdoor mounting. Damp location rated.

-EM Lumen Data (Battery)

Fixture/Trim	BL2R-USA-31
Fixture Wattage:	13W
Fixture Lumens:	1000
Multiplier:	0.77
EM Lumens:	770

Fixture/Trim	BL2R-USA-40
Fixture Wattage:	18W
Fixture Lumens:	1500
Multiplier:	0.55
EM Lumens:	825

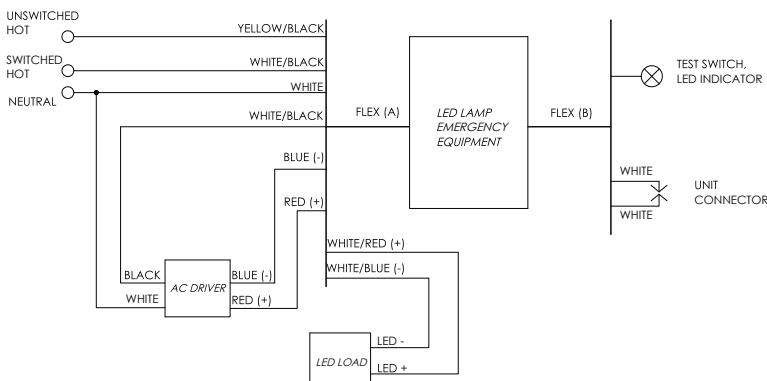
Fixture/Trim	BL2R-USA-59
Fixture Wattage:	20W
Fixture Lumens:	1700
Multiplier:	0.50
EM Lumens:	850

Fixture/Trim	BL2R-USA-78
Fixture Wattage:	25W
Fixture Lumens:	2100
Multiplier:	0.40
EM Lumens:	840

Fixture/Trim	BL2R-USA-98
Fixture Wattage:	30W
Fixture Lumens:	2700
Multiplier:	0.33
EM Lumens:	890

Fixture/Trim	BL2R-USA-118
Fixture Wattage:	30W
Fixture Lumens:	3100
Multiplier:	0.33
EM Lumens:	1020

Fixture/Trim	BL2R-USA-114
Fixture Wattage:	30W
Fixture Lumens:	3000
Multiplier:	0.33
EM Lumens:	990



Input Voltage:	120-277VAC/60Hz
Output Voltage:	10V
Wattage:	10W
Switching Time:	<1s
Charging Time:	24h
Operating Time:	90 minutes
Minimum Temperature:	0°C
Maximum Temperature:	50°C
Self-Diagnostic:	No

BL2R-USA : LUMENPOLE ROUND BOLLARD & COLUMN

6" FROSTED LENS - 31", 40", 59", 78", 98", 118", AND 144" HEIGHT
1000LM-3100LM (13W-30W)

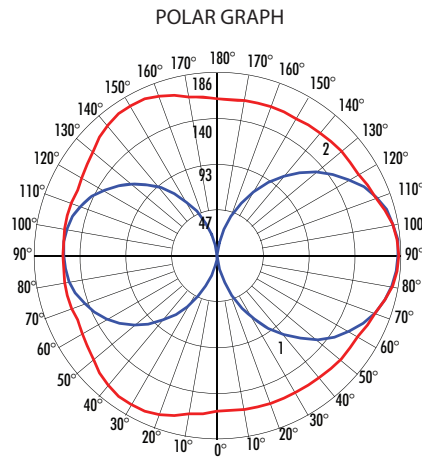
PHOTOMETRY

BL2R-USA-40-B-SYM-W-T30 (40" Height, 18W, Symmetric Wide, 3000K)

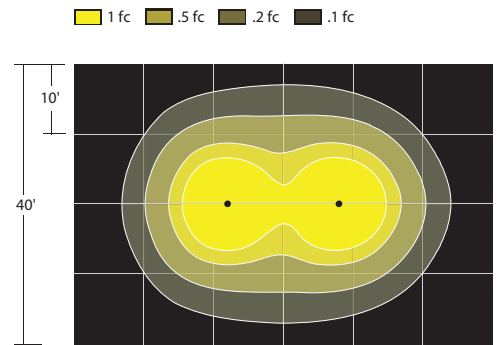
System Power:	17.3W
Test Date:	09/2023
Beam Angle 50%:	180.0°
Field Angle 10%:	180.0°
Color Temperature:	3000K
CRI:	80
Lumens Delivered:	1567
CBCP:	185
Power Factor:	0.99

MULTIPLIERS	
HEIGHT	
31"	0.74
40"	1.00
59"	1.06
78"	1.35
98"	1.69
118"	1.98

CCT	
2700K :	0.94
3000K :	1.00
3500K :	1.02
4000K :	1.06



FOOTCANDLES ON GROUND
2 Fixture Overlap, 16 Ft. Spacing
2.05 Ft. Optical. Ht., 1567 lm

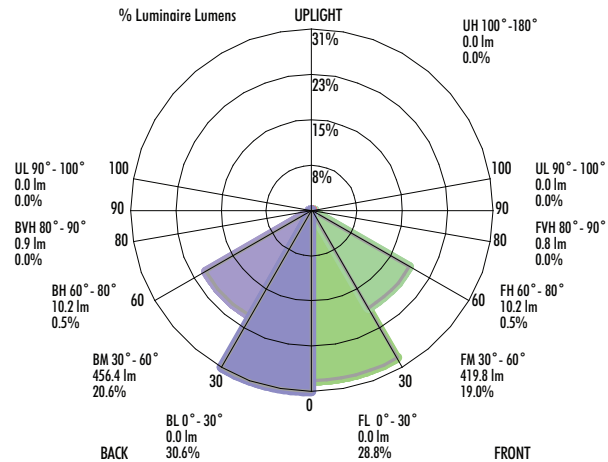


Maximum Candela = 186 Located At Horizontal Angle = 0, Vertical Angle = 95
1 - Vertical Plane Through Horizontal Angles (0 - 180) (Through Max. Cd.)
2 - Horizontal Cone Through Vertical Angle (95) (Through Max. Cd.)

LCS TABLE

BUG RATING	B1-U4-G1	
FRONT	Lumens	Lumens %
Low (0-30°)	0.0	1.2%
Medium (30°-60°)	129.5	8.3%
High (60°-80°)	158.6	10.1%
Very High (80°-90°)	90.6	5.8%
BACK		
Low (0-30°)	0.0	1.2%
Medium (30°-60°)	127.4	8.1%
High (60°-80°)	155.9	10.0%
Very High (80°-90°)	89.4	5.7%
UPLIGHT		
Low (90°-100°)	0.0	11.6%
High (100°-180°)	597.4	38.1%

LCS GRAPH



*Lumens delivered