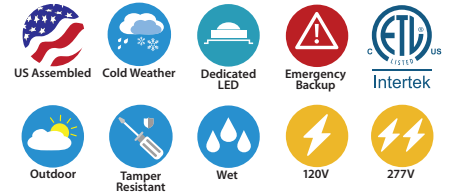
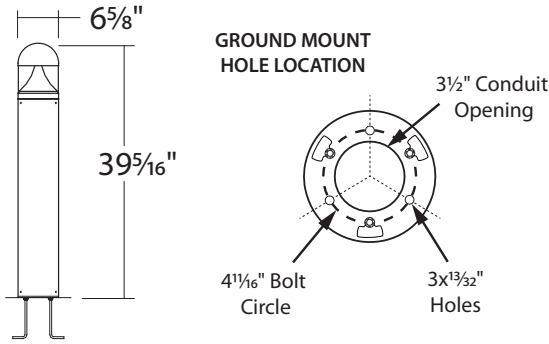


BL30 : 7" LED ROUND BOLLARD

CONE REFLECTOR (ROUND TOP) 2300LM (28W)



- No visible HARR
- Up to 83% energy savings versus CFL & HID
- Glare Free
- Corrosion-resistant polyester powder coat finish
- Available in Black, White, Silver & Architectural Bronze
- 120V/277V Standard
- Universal Dimming option dims with ELV, 2-Wire 0-10V Dimming Systems
- 5-Year Limited Warranty
- Up to 20' O.C spacing
- Type V & IV IES Distributions Available

ORDERING : BL30BUE-D10-T30

BL30		Dimming		LED		Distribution		Options			
Fixture	Reflector Finish	Dimming	LED	Distribution	Options	Fixture	Reflector Finish	Dimming	LED	Distribution	Options
Black	B	White	Blank	Non-Dimming (120V)	Blank	3000K	-T30	Type V Symmetrical	Blank	None	Blank
Architectural Bronze	BZ	Silver	-S	0-10V Dimming (120V/277V)	UE-D10¹	4000K	-T40	Type IV 160° Wide Forward Throw	-BIV²	25W Remote Emergency	-EMAC
Silver	S¹	Black	-B			5000K	-T50			14W Integral Emergency Battery Backup	-EMA
White	W¹										

¹ Minimum order, extended lead time may apply. Consult factory.
² Achieved with internal 180 degree shield, prevents light leakage from dark side. Special Order.

2023.09.12

SPECIFICATION

Application

Bollards are designed for indoor and outdoor applications where low-level illumination is required. Bollards are used to light walkways, public gathering spaces, gardens, along waterfronts and marinas and other public and private areas.

Luminaire Construction

High grade extruded aluminum tube with die cast aluminum top and base. The luminaire is secured to the base by three (3) tamper resistant, stainless steel setscrews. Base is mounted to Anchor Bolt Assembly Kit by three (3) nuts and washers. Note: A solid foundation for installation is recommended.

Luminaire Enclosure

Round, one-piece top is constructed of heavy duty die cast aluminum housing with a powder coat finish. A clear U.V. stabilized polycarbonate molded lens, interior anodized aluminum louvers and top anodized reflector provides a 360° symmetrical light distribution. Luminaire enclosure is secured to lower housing by three (3) tamper resistant, stainless steel set screws and silicone gasket for quick installation and/or relamping.

Lumen Maintenance

Minimum 50,000 hours L70 life based on ANSI TM-21 calculations from LM80 standardized test results. See ordering guide for delivered lumens.

Thermal Management

Effective thermal dissipation facilitated by integral cast-aluminum, heat sink design for maximum heat rejection to provide long LED life.

Dimming

(UE-D10) 0-10V dimming works with most 5-wire, 0-10V dimmers. Factory qualified for use with Leviton IP710-DLZ.

Electrical

Through wiring, a maximum of four (4) No. 12 AWG conductors (plus ground wire), rated 90°C min. A 3" diameter conduit opening at base bottom provided.

Certifications and Listings



ETL / cETL Listed to UL1598 and UL8750 standards.

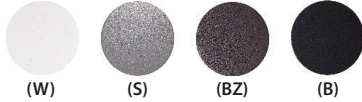
Suitable wet locations. (IP65)

Assembled in USA.

IK08 rated for impact resistance.

SPECIFICATION (Continued)

Finish



Available in Black, Architectural Bronze, Silver and White. Minimum order or extended lead time may apply.

Distribution

Available in Type V - Symmetrical and Type IV - 160° Wide Forward Throw achieved with internal 180 degree shield, prevents light leakage from dark side. Special Order.

LED

Color Temperature:



COLOR TEMP:	3000K	4000K	5000K
CRI:	90	90	80