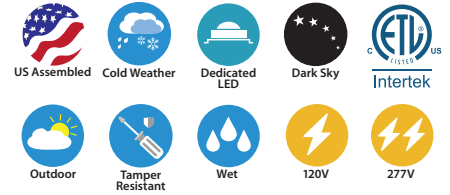
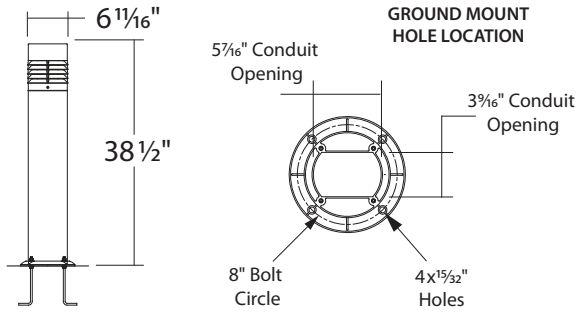


BL434 : 7" LED ROUND BOLLARD

DIE CAST ALUMINUM LOUVERS (FLAT TOP) 324LM (15W)



- Up to 83% energy savings
- L70: 50,000 Hours
- Anti-aging polyester powder coat finish
- IP65 wet location rated
- 5-Year Limited Warranty



ORDERING : BL434-BUE-T30

BL434
Fixture Control LED Options

| Finish | Control | LED | Options |
|--------|---|-------|-------------------------------------|
| Black | -B 120V/277V | 3000K | -T30 None Blank |
| Bronze | -BZ² Casambi Wireless Dimming (120V/277V) | 4000K | -T40 Cold Weather -CW |
| Silver | -S² | 5000K | -T50¹ |
| White | -W² BubblyNet Wireless System (120V/277V) | | |
| | SimplySnap Wireless System (120V/277V) | | |

2025.04.21

¹ Special Order. Minimum order or extended lead time may apply. Consult factory.
² Special Order Finish. Minimum order quantity (MOQ) applies. Orders less than MOQ are subject to a special paint set-up fee for the quantity ordered. Extended lead times may apply. Consult Factory.
³ Special Order. Sent with surface mount JBOX to allow for direct-conduit entry.

Custom RAL Color: Please note that we appreciate custom finishes. Custom finishes are subject to a special paint setup fee for the quantity ordered. Extended lead times may apply. Consult Factory.

COMPATABILITY



SPECIFICATION

Application

Bollards are designed for indoor and outdoor applications where low-level illumination is required. Bollards are used to light walkways, public gathering spaces, gardens, along waterfronts and marinas and other public and private areas.

Luminaire Construction

High grade extruded aluminum tube with die cast aluminum top and base with a powder coat finish. Includes a U.V. stabilized clear linear polycarbonate molded lens, silicone gasket, and lampholder. The luminaire is secured to the base by four (4) tamper resistant, stainless steel screws and the base is mounted to the ground by four (4) anchor bolts and eight (8) nuts and washers. Note: A solid foundation for installation is recommended. Post can accommodate daisy chain and through wiring.

Luminaire Enclosure

Round top is constructed of heavy duty die cast aluminum louvers with a powder coat finish. Exterior aluminum louvers provides a 360° symmetrical light distribution. Luminaire enclosure is secured to post by two (2) tamper resistant, stainless steel screws for quick installation and/or relamping.

Lumen Maintenance

Minimum 50,000 hours L70 life based on ANSI TM-21 calculations from LM80 standardized test results. See ordering guide for delivered lumens.

Thermal Management

Effective thermal dissipation facilitated by integral cast-aluminum, heat sink design for maximum heat rejection to provide long LED life.

Dimming

(UE-DUN) option is a universal dimming system that works with most 3-Wire ELV, 2-Wire Incandescent and 5-Wire 0-10V fluorescent dimmers.

Electrical

Through wiring, a maximum of four (4) No. 12 AWG conductors (plus ground wire), rated 90°C min. A 3" diameter conduit opening at base bottom provided.

Minimum Operating Temperature:
Standard: -10°C/14°F
Cold Weather Option: (-CW) -30°C/-22°F

Certifications and Listings

ETL / cETL Listed to UL1598 and UL8750 standards.

Suitable wet locations. (IP65)

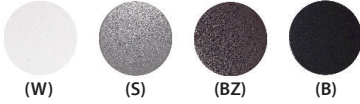
Assembled in USA.

IK08 rated for impact resistance.



SPECIFICATION (Continued)

Finish



Electrostatic, polymer process provides a finish that delivers outstanding durability, superior anti-aging, resistance to corrosion and UV-degradation. Available in Bronze, Black, Silver and White.

LED

Color Temperature:



| | | | |
|-------------|-------|-------|-------|
| COLOR TEMP: | 3000K | 4000K | 5000K |
| CRI: | 90 | 90 | 80 |