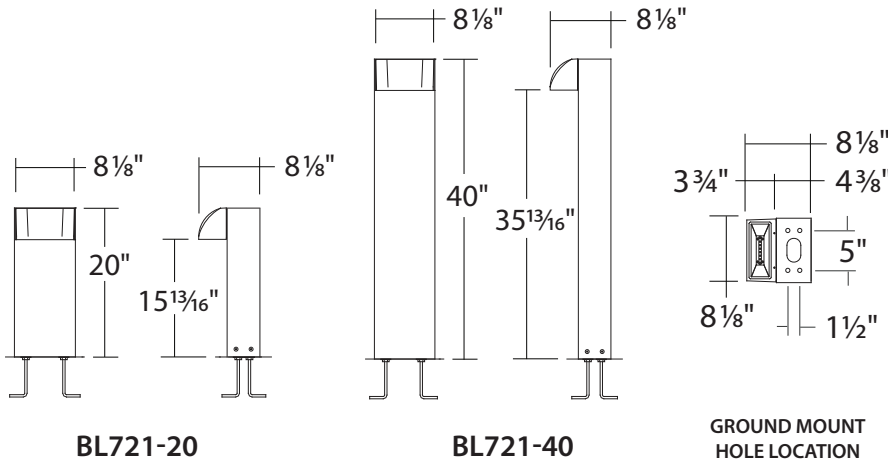


# BL721 : 8"x4" SCOOP BOLLARD

(IP65) - 850LM (15W)



- Sleek architectural design
- Durable, corrosion resistant finish
- Emergency back up available
- 5-year limited warranty



## ORDERING : BL721-20B-FRUE-DUN-T30

BL721		Finish		Lens		Dimming		LED	
Fixture	Height	Finish		Lens		Dimming		LED	
20"	<b>-20</b>	Black	<b>B</b>	Clear	<b>Blank</b>	Non-Dimming (120V)	<b>Blank</b>	4000K	<b>Blank</b>
40"	<b>-40</b>	White	<b>W<sup>1</sup></b>	Frosted	<b>-FR</b>	UniDim™ (120V/277V)	<b>UE-DUN</b>	3000K	<b>-T30</b>
		Bronze	<b>BZ<sup>1</sup></b>						
		Silver	<b>S<sup>1</sup></b>						

<sup>1</sup> Special Order Finish. Minimum order quantity (MOQ) applies. Orders less than MOQ are subject to a special paint set-up fee for the quantity ordered. Extended lead times may apply. Consult Factory.

Custom RAL Color: Please note that we appreciate custom finishes. Custom finishes are subject to a special paint setup fee for the quantity ordered. Extended lead times may apply. Consult Factory.

## SPECIFICATION

### Application

---

This single head bollard is designed for outdoor applications where a Dark Sky compliant illumination is required. Bollards are used to light walkways, public gathering spaces, gardens, along waterfronts and marinas and other public and private areas.

### Post

---

High grade rectangular extruded aluminum with a high grade powder coat finish. Includes liquid tight plug for cord entry and a zinc plated steel base with a high grade powdercoat finish and an anchor bolt kit. The base is secured to the post by four (4) tamper resistant, stainless steel flat head screws and the base is mounted to the ground by four (4) anchor bolts and eight (8) nuts and washers. Note: A solid foundation for installation is recommended. Post can accommodate daisy chain and through wiring..

### Head

---

Constructed from a two (2) piece high grade die cast aluminum with a high grade powder coat finish. Includes a clear tempered glass lens (sits flush to the head), LED array, reflector, LED driver, silicone gasket and a hole with liquid tight plugs for cord to exit the post. The two piece housing is secured together by four (4) tamper resistant stainless steel set screws and is secured to the post by two stainless steel screws.

### Lumen Maintenance

---

Minimum 50,000 hours L70 life based on ANSI TM-21 calculations from LM80 standardized test results. See ordering guide for delivered lumens.

### Thermal Management

---

Effective thermal dissipation facilitated by integral cast-aluminum, heat sink design for maximum heat rejection to provide long LED life.

### Dimming

---

(UE-DUN) option is a universal dimming system that works with most 3-Wire ELV, 2-Wire Incandescent and 5-Wire 0-10V fluorescent dimmers.

### Electrical

---

LED driver, 120VAC, 50/60Hz, electronic Constant Current, Class 2, Power Factor > .90pf, integrally mounted. Use LED driver option UE-DUN UniDim™ (120V/277V) for dimming (see above), and cold weather applications (-30°C and above).

### Certifications and Listings

---



ETL / cETL Listed to UL1598 and UL8750 standards.

Suitable wet locations. (IP65)

Assembled in USA.

**Note:** Dark Sky compliant.

## SPECIFICATION (Continued)

### Caution

---

LITON recommends use of surge protectors on the power entering LED Housings. Surge damage is not covered by warranty.

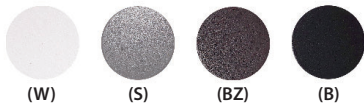
### Warranty

---

Covered by a 5-Year Warranty to be free of defects in materials and craftsmanship. Fixture should not be installed in applications with ambient temperature above 60 degrees C. Doing so will result in reduced lamp life and voided warranty.

### Finish

---

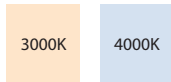


Available in Black, White, Bronze, and Silver.

### LED

---

Binned with 4-step MacAdam ellipses as recommended by ANSI Standard.  
Available in 3000K and 4000K, 80 CRI.



### LED Details

---

COLOR TEMP:	3000K	4000K
CRI:	80	80

---

~15W 850 + Lumens Delivered  
Color Rendering Index (CRI): 80  
Color Temperature: 4000K  
Lamp Equivalents: 26W CFL 75W A19