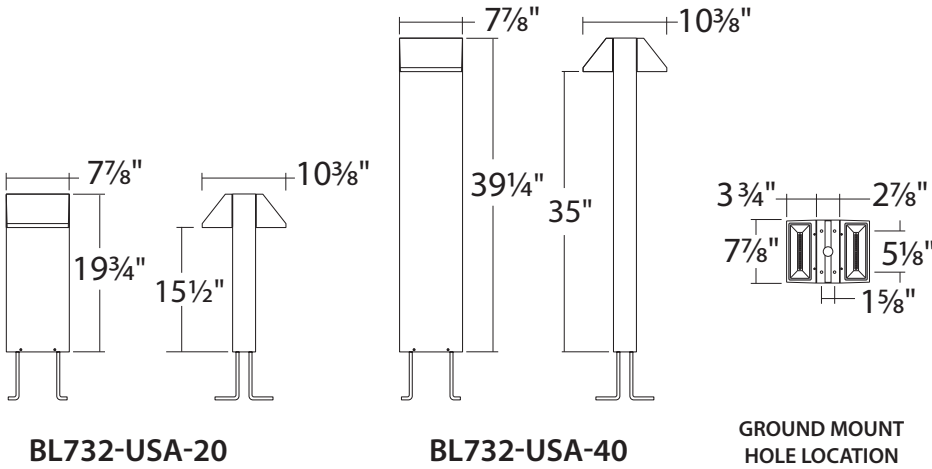


BL732-USA : 8" x 4" DOUBLE TRAPEZOID BOLLARD

(IP65) - 2 X 130LM (2 X 15W)



• Produced in USA

- 10W Emergency Battery Option
- Sleek architectural design
- Durable, corrosion resistant finish
- 5-year limited warranty
- IK08 Rated



ORDERING : BL732-USA-20B-FRUE-D10-T30

BL732-USA

| Fixture | Height | Finish | Lens | Control | LED | Emergency Options | | | | | |
|---------------|---------------|-------------|-----------------------|------------|--------------------------|---------------------------|---------------|-------|-------------------------|-----------------------|--------------|
| Height | Finish | Lens | Control | LED | Emergency Options | | | | | | |
| 20" | -20 | Black | B | Clear | Blank | Non-Dimming (120V) | Blank | 4000K | Blank | None | Blank |
| 40" | -40 | White | W¹ | Frosted | -FR | 0-10V Dimming (120V/277V) | UE-D10 | 3000K | -T30 | 10W Emergency Battery | -EM |
| | | Bronze | BZ¹ | | | | | 3500K | -T35² | | |
| | | Silver | S¹ | | | | | | | | |

¹ Special Order Finish. Minimum order quantity (MOQ) applies. Orders less than MOQ are subject to a special paint set-up fee for the quantity ordered. Extended lead times may apply. Consult Factory.

² Special order. Minimum order quantity, extended lead time, and setup fee may apply. Consult Factory.

Custom RAL Color: Please note that we appreciate custom finishes. Custom finishes are subject to a special paint setup fee for the quantity ordered. Extended lead times may apply. Consult Factory.

SPECIFICATION

Application

This double head bollard is designed for outdoor applications where a Dark Sky compliant illumination is required. Bollards are used to light walkways, public gathering spaces, gardens, along waterfronts and marinas and other public and private areas.

Post

High grade rectangular extruded aluminum with a high grade powder coat finish. Includes liquid tight plug for cord entry and a zinc plated steel base with a high grade powdercoat finish and an anchor bolt kit. The base is secured to the post by four (4) tamper resistant, stainless steel flat head screws and the base is mounted to the ground by four (4) anchor bolts and eight (8) nuts and washers. Note: A solid foundation for installation is recommended. Post can accommodate daisy chain and through wiring.

Head

Constructed from a two (2) piece high grade die cast aluminum with a high grade powder coat finish. Includes a clear tempered glass lens (sits flush to the head), LED array, reflector, LED driver, silicone gasket and a hole with liquid tight plugs for cord to exit the post. The two piece housing is secured together by four (4) tamper resistant stainless steel set screws and is secured to the post by two stainless steel screws. Free of burrs and sharp corners and edges.

Lumen Maintenance

Minimum 50,000 hours L70 life based on ANSI TM-21 calculations from LM80 standardized test results. See ordering guide for delivered lumens.

Thermal Management

Effective thermal dissipation facilitated by integral cast-aluminum, heat sink design for maximum heat rejection to provide long LED life.

Control

(UE-D10) 0-10V dimming works with most 5-wire, 0-10V dimmers. Factory qualified for use with Leviton IP710-DLZ.

Electrical

LED driver, 120VAC, 50/60Hz, electronic Constant Current, Class 2. Power Factor shall be >90% at full load with THD <20% at full load. Electrical Output shall be isolated.

Minimum Operating Temperature:
Standard: -10°C/14°F

SPECIFICATION (Continued)

Certifications and Listings



U.S. Produced



BAA/BABA



IP65



Intertek



Dark Sky



IK08

ETL / cETL Listed to UL1598 and UL8750 standards.

Suitable wet locations. (IP65)

Produced in USA.

IK08 rating for impact resistance.

Meets NFPA 70/NEC Code on Listings

Note: Dark Sky compliant.

Caution

LITON recommends use of surge protectors on the power entering LED Housings. Surge damage is not covered by warranty.

Warranty

Covered by a 5-Year Warranty to be free of defects in materials and craftsmanship. Fixture should not be installed in applications with ambient temperature above 60 degrees C. Doing so will result in reduced lamp life and voided warranty.

Finish

Available in Black, White, Bronze, and Silver.



(W)



(S)



(BZ)



(B)

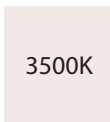
LED

Binned with 4-step MacAdam ellipses as recommended by ANSI Standard.

Available in 3000K and 4000K, 80 CRI.



3000K



3500K



4000K

| | | | |
|-------------|-------|-------|-------|
| COLOR TEMP: | 3000K | 3500K | 4000K |
| CRI: | 80 | 80 | 80 |

LED Details

2x15W 2x130 Lumens Delivered

Color Rendering Index (CRI): 80

Color Temperature: 4000K

Lamp Equivalents: 26W CFL 75W A19

SPECIFICATION (Continued)

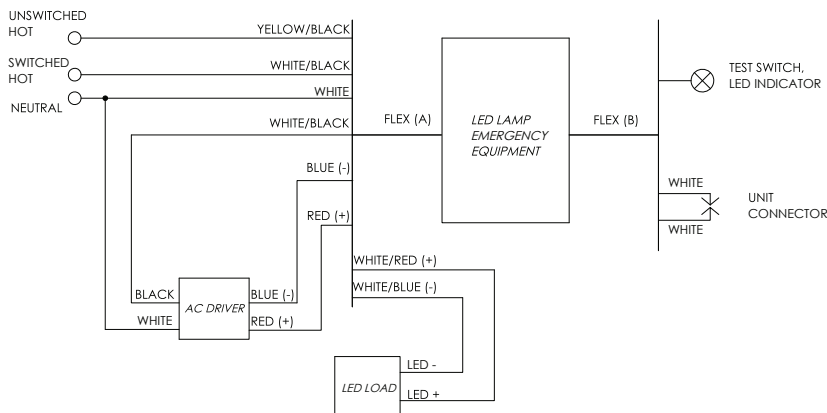
EMERGENCY BATTERY (-EM): 10W

- Must be installed in Dry Locations
- 10W constant output to LED lamp

Not rated for outdoor mounting. Damp location rated.

-EM Lumen Data (Battery)

| | |
|------------------|-----------|
| Fixture/Trim | BL732-USA |
| Fixture Wattage: | 2 x 15W |
| Fixture Lumens: | 2 x 130 |
| Multiplier: | 2 x 0.67 |
| EM Lumens: | 2 x 90 |



| | |
|----------------------|-----------------|
| Input Voltage: | 120-277VAC/60Hz |
| Output Voltage: | 10W |
| Wattage: | 10W |
| Switching Time: | <1s |
| Charging Time: | 24h |
| Operating Time: | 90 minutes |
| Minimum Temperature: | 0°C |
| Maximum Temperature: | 50°C |
| Self-Diagnostic: | No |

Control Options

0-10V Driver 120V/277V (UE-D10):

Compatible with most existing 0-10V systems. Also known as fluorescent or 5-Wire dimming. Allows smooth dimming down to 5% depending upon the dimmer's limitations. Compatible with daylight harvesting controls.

0 - 10V Wiring

