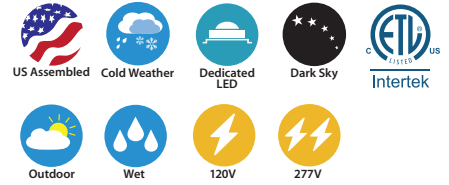
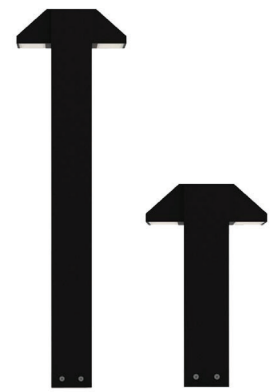
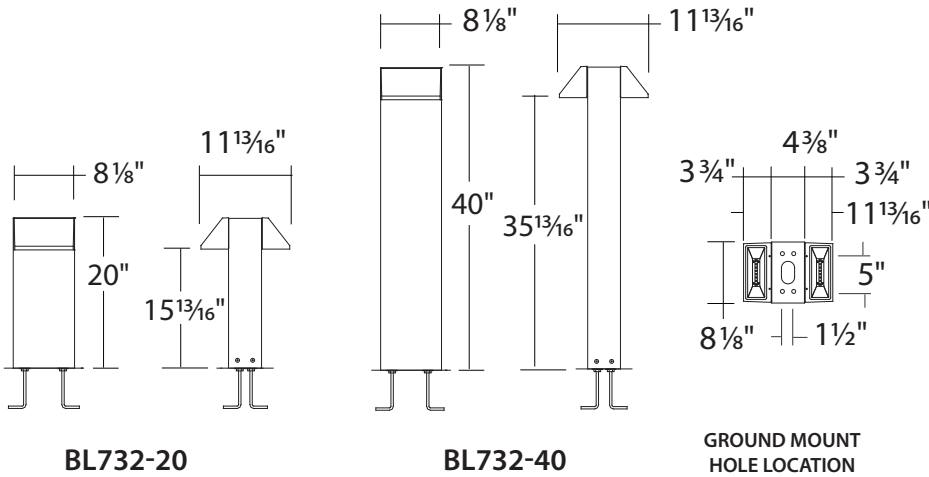


BL732 : 8" x 4" DOUBLE TRAPEZOID BOLLARD (IP65) - 2 X 850LM (2 X 15W)



- Sleek architectural design
- Durable, corrosion resistant finish
- 5-year limited warranty



ORDERING : BL732-20B-FRUE-DUN-T30

BL732		Finish		Lens		Dimming		LED	
Fixture	Height	Finish	Code	Lens	Code	Dimming	Code	LED	Code
20"	-20	Black	B	Clear	Blank	Non-Dimming (120V)	Blank	4000K	Blank
40"	-40	White	W ¹	Frosted	-FR	UniDim™ (120V/277V)	UE-DUN	3000K	-T30
		Bronze	BZ ¹						
		Silver	S ¹						

¹Special Order Finish. Minimum order quantity (MOQ) applies. Orders less than MOQ are subject to a special paint set-up fee for the quantity ordered. Extended lead times may apply. Consult factory.

Custom RAL Color: Please note that we appreciate custom finishes. Custom finishes are subject to a special paint setup fee for the quantity ordered. Extended lead times may apply. Consult Factory.

SPECIFICATION

Application

This double head bollard is designed for outdoor applications where a Dark Sky compliant illumination is required. Bollards are used to light walkways, public gathering spaces, gardens, along waterfronts and marinas and other public and private areas.

Post

High grade rectangular extruded aluminum with a high grade powder coat finish. Includes liquid tight plug for cord entry and a zinc plated steel base with a high grade powdercoat finish and an anchor bolt kit. The base is secured to the post by four (4) tamper resistant, stainless steel flat head screws and the base is mounted to the ground by four (4) anchor bolts and eight (8) nuts and washers. Note: A solid foundation for installation is recommended. Post can accommodate daisy chain and through wiring.

Head

Constructed from a two (2) piece high grade die cast aluminum with a high grade powder coat finish. Includes a clear tempered glass lens (sits flush to the head), LED array, reflector, LED driver, silicone gasket and a hole with liquid tight plugs for cord to exit the post. The two piece housing is secured together by four (4) tamper resistant stainless steel set screws and is secured to the post by two stainless steel screws.

Lumen Maintenance

Minimum 50,000 hours L70 life based on ANSI TM-21 calculations from LM80 standardized test results. See ordering guide for delivered lumens.

Thermal Management

Effective thermal dissipation facilitated by integral cast-aluminum, heat sink design for maximum heat rejection to provide long LED life.

Dimming

(UE-DUN) option is a universal dimming system that works with most 3-Wire ELV, 2-Wire Incandescent and 5-Wire 0-10V fluorescent dimmers.

Electrical

LED driver, 120VAC, 50/60Hz, electronic Constant Current, Class 2, Power Factor > .90pf, integrally mounted. Use LED driver option UE-DUN UniDim™ (120V/277V) for dimming (see above), and cold weather applications (-30°C and above).

Certifications and Listings



ETL / cETL Listed to UL1598 and UL8750 standards.

Suitable wet locations. (IP65)

Assembled in USA.

IK08 rating for impact resistance.

Note: Dark Sky compliant.

SPECIFICATION (Continued)

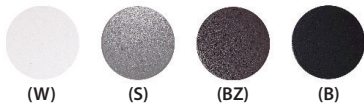
Caution

LITON recommends use of surge protectors on the power entering LED Housings. Surge damage is not covered by warranty.

Warranty

Covered by a 5-Year Warranty to be free of defects in materials and craftsmanship. Fixture should not be installed in applications with ambient temperature above 60 degrees C. Doing so will result in reduced lamp life and voided warranty.

Finish

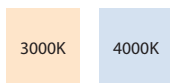


A available in Black, White, Bronze, and Silver.

Finish

A available in Black, White, Bronze, and Silver.

LED



Binned with 4-step MacAdam ellipses as recommended by ANSI Standard.
Available in 3000K and 4000K, 80 CRI.

COLOR TEMP:	3000K	4000K
CRI:	80	80

LED Details

2x15W 2x850 Lumens Delivered
Color Rendering Index (CRI): 80
Color Temperature: 4000K
Lamp Equivalents: 26W CFL 75W A19