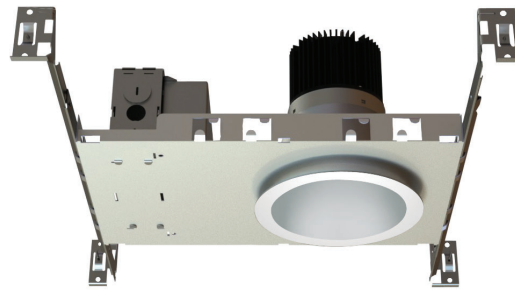
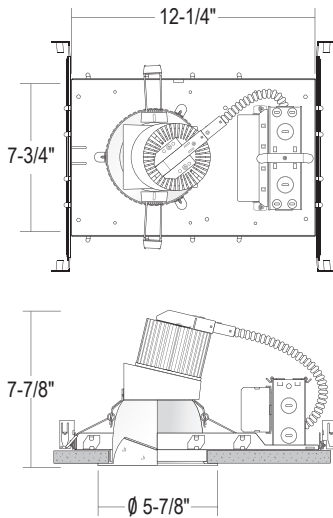
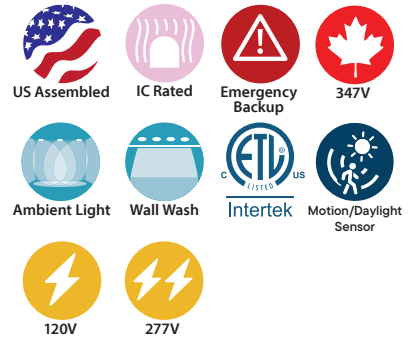


|CH4C : 4" C-SERIES

WALL WASH LED, NEW CONSTRUCTION 1000LM - 2500LM (10W-30W)



Ceiling Cut-Out: 4-7/8"
 Ceiling Thickness: 2-1/4" Max.



- Assorted dimming options.
- COB LED design allows for concentrated high CBCP beam
- Quick connector power adapter and twist-and-lock reflector for quick access and easy maintenance

ORDERING : CH4C10UE-D10-EM-BWNG/CR4LC72SW-T27

CH4C

Housing	Insulation Contact	Control	Emergency Options	J-Box	Mounting	Reflector Finish	CCT	Options
Insulation Contact Non-IC Blank IC Rated/ ICA ⁴ Airtight			J-Box None Blank Junction Box -CHP (Chicago Plenum)	Mounting 24" Adjustable Blank Architectural -BWNG ⁵ C-Channel		CCT 2700K (90 CRI) -T27 2700K (97 CRI) -T27-C97 3000K (90 CRI) -T30 3000K (97 CRI) -T30-C97 3500K (90 CRI) -T35 4000K (90 CRI) -T40 5000K (80 CRI) -T50	Options None Blank 4.5" Ceiling -CT4 Thickness	
Housing 1000lm (10W) CH4C10 1400lm (15W) CH4C15 1900lm (20W) CH4C20 2500lm (30W) CH4C30	Control ¹ 0-10V Dimming UniDim™ 0-10V, TRIAC/ELV Dimming TRIAC/ELV Dimming (120V) Lutron Hi-Lume Lutron EcoSystem 0-10V Dimming (347V) 1%, 0-10V Dimming DMX Dimming with input via XLR5 (120V/277V) DMX Dimming with input via RJ45 (120V/277V) Athena Wireless Node (120V) Athena Wireless Node Occupancy Sensor (120V) UniSense - Remotely Mounted Motion/Photosensor (120V) UniSense - Remotely Mounted Motion/Photosensor Casambi Wireless Dimming BubblyNet Wireless System Lutron Vive Wireless Dimming Module	J-Box UE-D10 UE-DUN -DIN UE-DHL UE-ECO -347-D10² UE-D10P1 UE-DMXLR5 UE-DMXRJ45 -AWN -AWN-OCC -SUN-RMT⁷ -SUN-RMT-1227⁷ -DCSM⁶ -DBNT⁶ -VIVE⁶	Emergency Options None 10W Emergency Battery Full Power Emergency Inverter Full Power Emergency Inverter (347V) GTD Device	Reflector Finish Blank -EM -EMAC³ -EMAC347³ -GTD	Reflector Finish Satin Haze Reflector/ /CR4LC72SW White Finish White Reflector/ /CR4LC72WW White Finish All Black /CR4LC72BB All Satin Haze /CR4LC72SS			

¹ All drivers are 120V/277V unless otherwise noted.
² -347-D10 is not available for CH4C10.
³ Check wiring diagram.
⁴ ICA is only available for CH4C10, CH4C15 and CH4C20. (CH4C30 are Non-IC rated.)
⁵ (-BWNG) option does **NOT** include Hanger Bars. Hanger Bars ordered separately.
⁶ Special Order.
⁷ (-SUN-RMT) Sensor sent with mounting clips for existing ceiling applications.

COMPATABILITY



SPECIFICATION

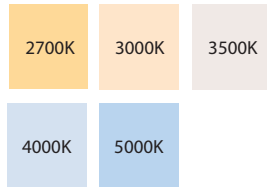
Application

Architectural/Commercial-grade recessed (COB) Chip on Board Beam Control LED allows for concentrated high center beam candlepower.

Mounting

Housing suitable for new construction installations only, supplied with (2) 24" adjustable hanger bars with 90° repositioning ability. Suitable for wood & metal joist support systems, and also drywall & T-bar ceilings. Hanger bars equipped with nail-less install 3/4" serrated barbed studs and captive nails, for faster and easier secure mounting in wood joists. Set-screws lock into position and prevent shifting after installation. Earthquake structural cable compatible for drop panel ceiling or any other mounting that requires direct support from structural ceilings.

Color Temperature (CCT)



Available in 2700K, 3000K, 3500K, 4000K, 90 CRI; 5000K 80 CRI; 2700K and 3000K, 97 CRI. Binned with 2-step MacAdam Ellipses.

COLOR TEMP:	2700K	3000K	3500K	4000K	5000K
CRI:	90, 97	90, 97	90	90	80

Insulation Contact

(CH4C10), (CH4C15), and (CH4C20) are inherently thermally protected for direct insulation contact without the need for an enclosure. (CH4C30) are Non-IC rated housing and must be kept 3" from loose-fill insulation.

Power Connection

Our LED lamp array is replaceable via our on board quick disconnect terminal. Meets CA Title 24 Requirements and other standards restricting the use of Medium Base or Bi-Pin Sockets.

Thermal Management

Heat dissipation facilitated by a large exposed integral aluminum heat sink to maximize heat dissipation in an open-air environment. The recommended ambient temperature should be below 35°C (95°F) to achieve a minimum L70 life of 50,000 hours according to the LM80 standard.

SPECIFICATION (Continued)

Reflector

Field adjustable twist and lock reflector is easily removable to provide quick access to LED lamp array. Frosted polycarbonate lens pre-installed on reflector unifies diode sources and protects diodes from dust and particles from front of aperture. Optional reflector (-EMA) features integral EM switch for 10W emergency backup (UE-D10-EM).

Reflector Finish

The 1-piece, self-flanged, LED design provides a clean trim finish without a secondary trim ring. Heavy gauge aluminum reflector prevents ugly dents during shipping & installation. Available in Satin Haze Reflector/White Finish, White Reflector/White Finish, All Black, Clear Specular Reflector/White Finish, and All Satin Haze.

Junction Box

16-gauge pre-wired galvanized steel Junction Box, 26 cubic-inch for a maximum of (8) #12 AWG wires. Furnished with (7) 1/2" knockouts. Strain clamps are included to install or remove covers for an easily accessed ground wire. (-CHP) option is Chicago Plenum, air-tight Junction Box.

Certifications and Listings



cETLus listed to UL1598 and UL8750. Suitable for dry locations.
NYC approved: Calendar #41937.

Caution

LITON recommends use of surge protectors on the power entering LED Housings. Surge damage is not covered by warranty. (+1KV). Fixtures must be grounded in accordance with national, state and/or local electrical codes. Failure to do so may result in serious personal injury.

SPECIFICATION (Continued)

Control Options

ELV and TRIAC Driver 120V (-DIN):

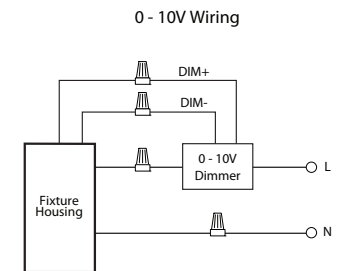
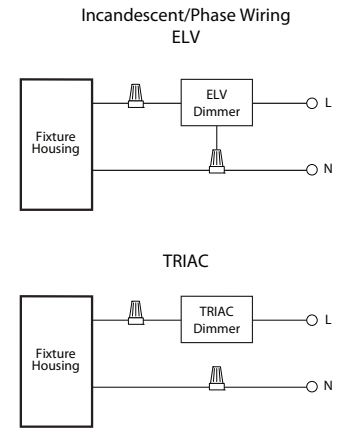
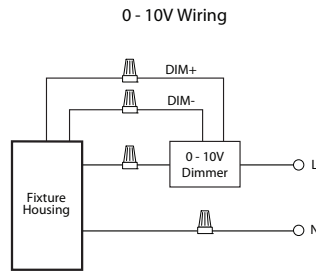
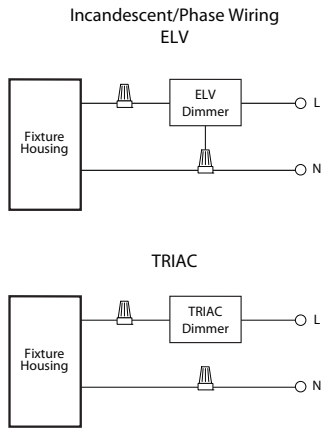
Compatible with electronic low voltage, and 2-Wire incandescent dimmers. Also known as leading edge, Reverse Phase, Forward Phase dimming. Allows smooth dimming down to 5% depending upon the dimmer's limitations.

0-10V Driver 120V/277V (UE-D10):

Compatible with most existing 0-10V systems. Also known as fluorescent or 5-Wire dimming. Allows smooth dimming down to 5% depending upon the dimmer's limitations. Compatible with daylight harvesting controls.

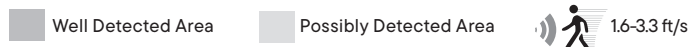
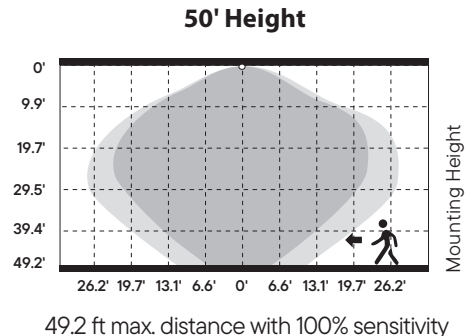
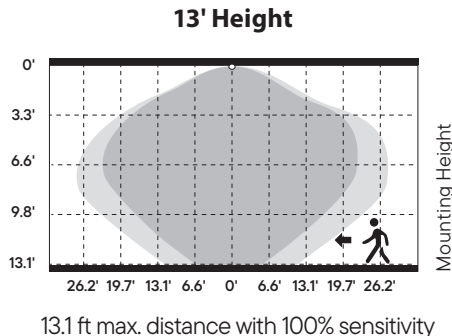
UniDim™ Driver 120V/277V (UE-DUN):

All in one ELV and TRIAC phase dimming (120V only), and 0-10V dimming (120V/277V). Works with most 3-Wire ELV, 2-Wire incandescent and 120V/277V 5-Wire 0-10V fluorescent dimmers.



Unisense™ PROGRAMMABLE MOTION + DAYLIGHT (-SUN-RMT, -SUN-RMT-1227)

- Microwave and PIR (Passive Infrared) sensors depending on option
- Daylight harvesting
- Dusk/dawn sensing capabilities
- Motion Sensor



SPECIFICATION (Continued)

Warranty

Covered by a 5-Year Warranty to be free of defects in materials and craftsmanship. Recommended for applications where ambient temperatures do not exceed 35°C (95°F), installations exceeding this temperature will result in reduced LED lamp life and a voided warranty.

Emergency Options

Emergency LED Battery Back-up available, remotely mounted adjacently by the installer. When AC power fails, the device immediately switches to the emergency mode, operating the LEDs for a minimum of 90 minutes. Remote test switch and plate cover included. Optional Generator Transfer Device switches the driver to auxiliary generator power during the loss of normal AC power, (recommended for applications requiring individual circuit switching).

EMERGENCY BATTERY (-EM): 10W

- Must be installed in Dry Locations
- 10W constant output to LED lamp

Not rated for outdoor mounting. Damp location rated.

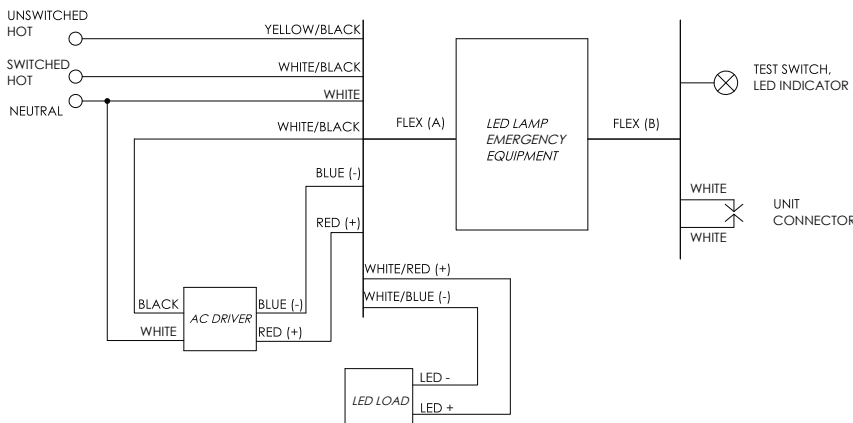
-EM Lumen Data (Battery)

Fixture/Trim	CH4C10/CR4LC72
Fixture Wattage:	10W
Fixture Lumens:	1000
Multiplier:	1
EM Lumens:	1000

Fixture/Trim	CH4C15/CR4LC72
Fixture Wattage:	15W
Fixture Lumens:	1400
Multiplier:	0.67
EM Lumens:	940

Fixture/Trim	CH4C20/CR4LC72
Fixture Wattage:	20W
Fixture Lumens:	1900
Multiplier:	0.5
EM Lumens:	950

Fixture/Trim	CH4C30/CR4LC72
Fixture Wattage:	30W
Fixture Lumens:	2500
Multiplier:	0.33
EM Lumens:	830



Input Voltage:	120-277VAC/60Hz
Output Voltage:	10W
Wattage:	10W
Switching Time:	<1s
Charging Time:	24h
Operating Time:	90 minutes
Minimum Temperature:	0°C
Maximum Temperature:	50°C
Self-Diagnostic:	No

SPECIFICATION (Continued)

FULL POWER EMERGENCY INVERTER (-EMAC or -EMAC347): 10W - 30W

- Must be installed in Dry Locations
- Wattage package will determine battery sent; corresponding wiring diagrams below
- 170 VDC output to AC DRIVER during EM mode

Not rated for outdoor mounting. Damp location rated.

-EMAC Lumen Data (Battery)

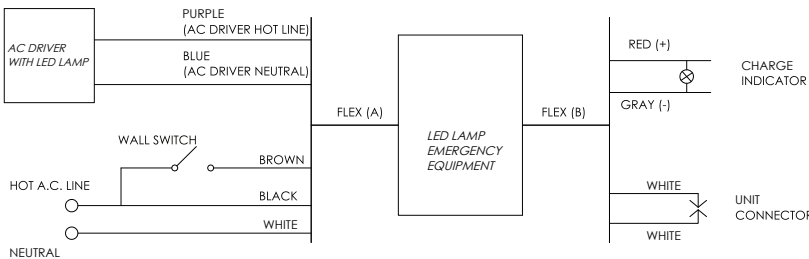
Fixture/Trim	CH4C10/CR4LC72
Fixture Wattage:	10W
Fixture Lumens:	1000
EM Lumens:	1000

Fixture/Trim	CH4C15/CR4LC72
Fixture Wattage:	15W
Fixture Lumens:	1400
EM Lumens:	1400

Fixture/Trim	CH4C20/CR4LC72
Fixture Wattage:	20W
Fixture Lumens:	1900
EM Lumens:	1900

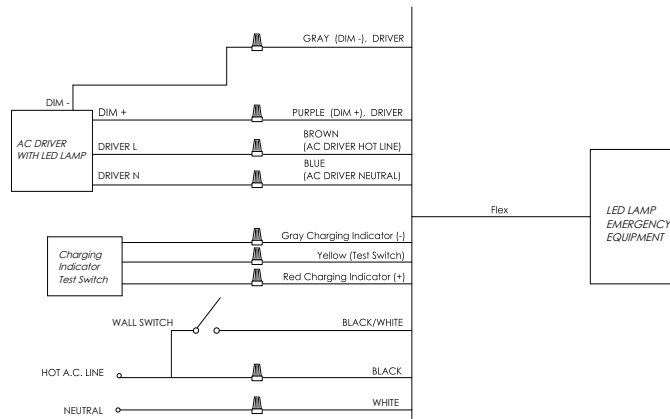
Fixture/Trim	CH4C30/CR4LC72
Fixture Wattage:	30W
Fixture Lumens:	2500
EM Lumens:	2500

<25W LOAD



Input Voltage:	120-277VAC/60Hz
Output Voltage:	170VDC (120VAC Equivalent)
Wattage:	25W
Switching Time:	<1s
Charging Time:	24h
Operating Time:	90 minutes
Minimum Temperature:	0°C
Maximum Temperature:	50°C
Self-Diagnostic:	No

<40W LOAD



Input Voltage:	120-277VAC or 347VAC/60Hz
Output Voltage:	170VDC (120VAC Equivalent)
Wattage:	30W
Switching Time:	<1s
Charging Time:	24h
Operating Time:	90 minutes
Minimum Temperature:	0°C
Maximum Temperature:	50°C
Self-Diagnostic:	Yes

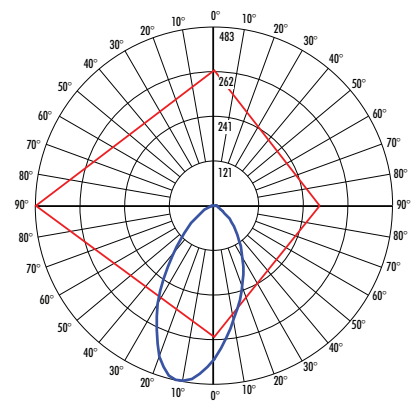
PHOTOMETRY - WALL WASH

CH4C10UE-D10_CR4LC72SW-T40 (1000lm, 10W, 4000K)

System Power: 10W
 Test Date: 07/2024
 Color Temperature: 3877K
 CRI: 92.3
 Lumens Delivered: 514
 CBCP: 483.0
 Power Factor: 1.00

MULTIPLIERS	
REFLECTOR FINISH	
SS:	1.00
SW:	1.00
WW:	0.97
CCT	
2700K:	0.88
3000K:	0.93
3500K:	0.96
4000K:	1.00
Lumens	
1000lm:	1.00
1400lm:	1.24
1900lm:	1.73
2500lm:	2.22

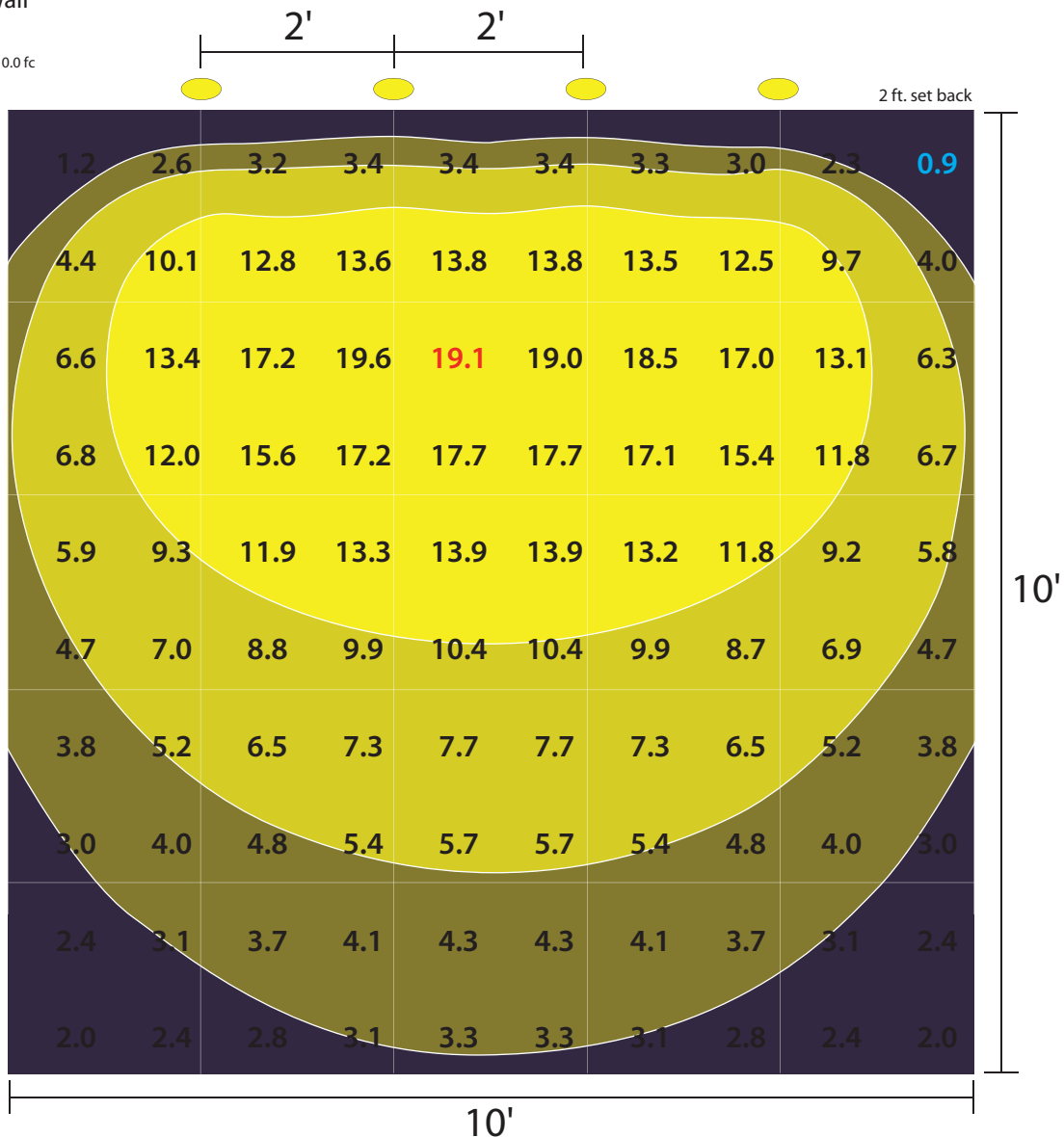
CANDELA TABULATION



PERFORMANCE DATA

LUMINAIRE SPACED 2' FROM WALL

Footcandles On Wall



2024.08.13