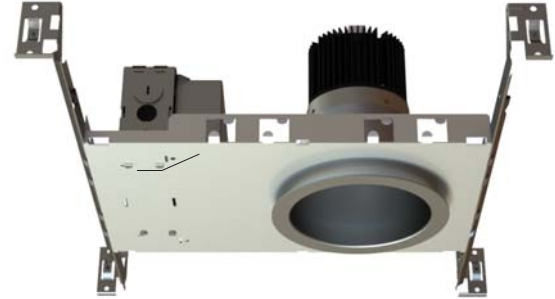
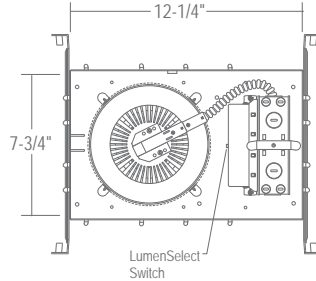
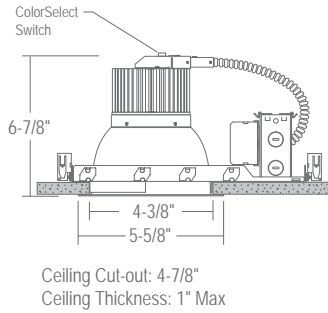


CH4LS : 4" C-SERIES

LUMEN/COLORSELECT NEW CONSTRUCTION 1600LM - 2300LM (18W-28W)

- Three LumenSelect options with ColorSelect 3000K, 3500K, 4000K (84CRI) switch
- Heavy-duty, self-flanged, twist and lock reflector
- Soft even lumen distribution



ORDERING – Example: CH4LS1623UE-D10-EM/CR4L22SW-EMA-TS354

CH4LS1623		Driver		J-Box	Reflector	Reflector Finish	Reflector Option	ColorSelect
LumenSelect Housing	Insulation Contact							

LumenSelect Housing ¹	Reflector ¹	Reflector Finish	Reflector Option	ColorSelect
1600lm (18W) ⁵ CH4LS1623 [Options]	/CR4L22	Satin Haze Reflector/ White Ring SW	None Blank	ColorSelect -TS354
1900lm (22W) ⁵		White Reflector/ White Ring WW	Integral EM -EMA² Switch	3000K, 3500K, 4000K (84 CRI)
2300lm (28W)		All Black BB		
		Clear Specular Reflector/White Ring CW		

CH4LS1623	DRIVER SET LOW	DRIVER SET MID	DRIVER SET HIGH
LUMENS (delivered)	1600	1900	2300

Options

Insulation Contact		Driver		J-Box	
Non-IC Blank	0-10V Dimming UE-D10	None Blank		None Blank	
IC Rated/ ICA⁵	GTD Device UE-D10-GTD	Junction Box (Chicago Plenum) -CHP			
Airtight	12W Emerg. Back-Up UE-D10-EM				

¹ Housing must match corresponding Reflector in column to the right.

² Only available for EM Housings.

⁵ (ICA) is only available on 1600lm (18W), and 1900lm (22W).

SPECIFICATION

Application

Architectural/Commercial-grade recessed LED downlight housing with Lumen/ColorSelect switch offers added flexibility for optimal light output and ambience in commercial and architectural spaces with medium to high ceilings.

Mounting

Housing suitable for new construction installations only, supplied standard with (2) 24" adjustable hanger bars with 90° repositioning ability. Suitable for wood & metal joist support systems, and also drywall & T-bar ceilings. Hanger bars equipped with nail-less install 3/4" serrated barbed studs and captive nails, for faster and easier secure mounting in wood joists. Set-screws lock into position and prevent shifting after installation. Earthquake structural cable compatible for drop panel ceiling or any other mounting that requires direct support from structural ceilings. Optional galvanized aluminum Architectural C-Channel Batwing also available. (C260) & (C260J) hanger bars are NOT included with (-BWNG) option, and must be ordered separately.

LumenSelect

Multi-lumen switch available with:

CH4LS1623

1600lm (18W), 1900lm (22W), and 2300lm (28W) settings.

Driver

120V/277V AC 50/60Hz Electronic Direct Current Class 2. Input current 0.50 Amps at 115VAC. Power Factor > 0.90. Operating Temperature: -20°C to +50°C / -4°F to +131°F. Accessible from above or below ceiling. (UE-D10) 10V works with most 5-wire, 0-10V dimmers. Factory qualified for use with Leviton IP710-DLZ.

Emergency Options

Emergency LED Battery Back-up available, remotely mounted adjacent to housing by installer. When AC power fails, the device immediately switches to the emergency mode, operating the LEDs for a minimum of 90 minutes. Remote test switch and plate cover included. Optional Generator Transfer Device switches the driver to auxiliary generator power during the loss of normal AC power, (recommended for applications requiring individual circuit switching).

Color Temperature

Available in ColorSelect 3000K, 3500K, 4000K (84 CRI).

Insulation Contact

Non-IC rated housing must be kept 3" from loose-fill insulation. IC-Rated/Airtight (ICA) option is for direct insulation contact.

Power Connection

LED lamp array is replaceable via on board quick disconnect terminal. Meets CA Title 24 Requirements and other standards restricting the use of Medium Base or Bi-Pin Sockets.

Thermal Management

Heat dissipation facilitated by a large exposed integral aluminum heat sink to maximize heat dissipation in an open-air environment. IC Option thermally engineered to ensure stated L70 LED life without the need for external box. The recommended ambient temperature should be below 35°C to achieve a minimum L70 life of 50,000 hours according to the LM80 standard.

Reflector

Field adjustable twist and lock reflector is easily removable for both Non-IC and IC rated housings to provide quick access to LED lamp array. Frosted polycarbonate lens pre-installed on reflector unifies diode sources and protects diodes from dust and particles from front of aperture. Optional reflector (-EMA) features integral EM switch for 12W emergency backup (UE-D10-EM).

Reflector Finish

1-piece, self-flanged, dual reflector LED design enables a clean trim finish without secondary trim ring. Heavy gauge aluminum reflector prevents ugly dents during shipping & installation. Deeply mounted singular LED provides 50° visual cutoff. Available in Satin Haze Reflector/White Finish, White Reflector/White Finish, All Black and Clear Specular Reflector White Ring.

Junction Box

16-gauge pre-wired galvanized steel Junction Box, 26 cubic-inch for a maximum of (8) #12 AWG wires. Furnished with (7) 1/2" knockouts. Strain clamps to install or remove covers for easy access and ground wire.

Certifications and Listings

cETLus listed. Suitable for dry, damp, and wet locations. NYC approved. Calendar #41937. Assembled in USA.

Caution

LITON recommends use of surge protectors on the power entering LED Housings. Surge damage is not covered by warranty. (+1KV). Fixtures must be grounded in accordance with national, state and/or local electrical codes. Failure to do so may result in serious personal injury.

Warranty

Covered by a 5-Year Warranty to be free of defects in materials and craftsmanship. Recommended for applications where ambient temperatures do not exceed 35°C, installations exceeding this temperature will result in reduced LED lamp life and a voided warranty.