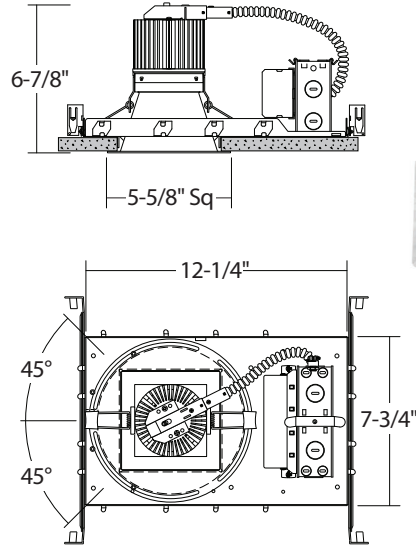
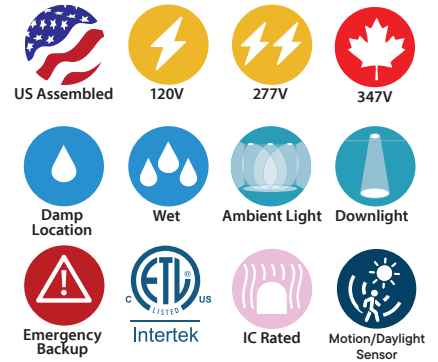


CH4Q : 4" C-SERIES

SQUARE LED DOWNLIGHT NEW CONSTRUCTION 800LM - 2600LM (10W-30W)



Ceiling Cut-Out: 4-3/4" Sq.
 Ceiling Thickness: 2" Max.



- Wide catalogue of lumen and dimming options
- Standard with 0-10V Dimming
- Twist and lock reflector for quick access to LED lamp array.
- Heavy-duty seamless die-cast reflector
- Soft even lumen distribution
- No visible screws or hardware
- New Lutron Athena Options Available

ORDERING : CH4Q10ICAUE-D10-EM/CR4QL17SW-EMA-T30

CH4Qxx

Housing Insulation Contact Control Emergency Options J-Box Mounting / Reflector Reflector Finish Reflector Options Color Temperature

Housing ¹	Insulation Contact	Control	Emergency Options	J-Box	Mounting	Reflector	Reflector Finish	Reflector Options	Color Temperature
800lm (10W)	CH4Q08	[Options]	/CR4QL17	Satin Haze Reflector/	SW	None	Blank	2700K (84CRI) -T27	
1300lm (18W)	CH4Q10	[Options]	/CR4QL17	White Finish		Integral EM	-EMA³	3000K (84 CRI) -T30	
1600lm (22W)	CH4Q18	[Options]	/CR4QL17	White Reflector/	WW	Switch		3500K (84 CRI) -T35	
1800lm (28W)	CH4Q28	[Options]	/CR4QL17	White Finish				4000K (84 CRI) -T40	
2200lm (25W)	CH4Q29	[Options]	/CR4QL30	All Black	BB			5000K (84 CRI) -T50⁸	
2600lm (30W)	CH4Q30	[Options]	/CR4QL30	All Satin Haze	SS				

Options

Insulation Contact	Control ²	Emergency Options	J-Box	Mounting
Non-IC Blank	0-10V Dimming	None Blank	None Blank	24" Adjustable Blank
IC Rated/ Airtight ICA⁵	UniDim™ 0-10V, TRIAC/ELV Dimming	10W Emergency Battery -EM	Junction Box (Chicago Plenum) -CHP	Architectural -BWNG⁴
	TRIAC/ELV Dimming (120V)	Full Power		C-Channel
	Lutron Hi-Lume	Emergency Inverter -EMAC⁷		
	Lutron EcoSystem	Full Power -EMAC347⁷		
	0-10V Dimming (347V)	Emergency Inverter (347V)		
	1%, 0-10V Dimming	GTD Device -GTD		
	Dali Dimming			
	DMX Dimming with input via XLR5 (120V/277V)			
	DMX Dimming with input via RJ45 (120V/277V)			
	Athena Wireless Node (120V)			
	Athena Wireless Node			
	Occupancy Sensor (120V)			
	UniSense - Remotely Mounted Motion/Photosensor (120V)			
	UniSense - Remotely Mounted Motion/Photosensor			
	Casambi Wireless Dimming			
	BubblyNet Wireless System			
	Lutron Vive Wireless Dimming Module			

¹ Housing must match corresponding Reflector in column to right.
² All drivers are 120V/277V unless otherwise noted.
³ Only available for EM Housings.
⁴ (-BWNG) option does NOT include Hanger Bars. Hanger Bars ordered separately.
⁵ (ICA) is only available on CH4Q08, CH4Q10 and CH4Q18. (CH4Q28, CH4Q29 and CH4Q30 are Non-IC rated.)
⁶ (-347-D10) not available for CH4Q08.
⁷ Check Wiring Diagrams.
⁸ (-T50) not available for CH4Q29 and CH4Q30.
⁹ Special Order.
¹⁰ (-SUN-RMT) Sensor sent with mounting clips for existing ceiling applications.

Custom RAL Color: Please note that we accommodate custom finishes. Custom finishes are subject to a special paint setup fee for the quantity ordered. Extended lead times may apply. Consult Factory.

2025.10.24

SPECIFICATION

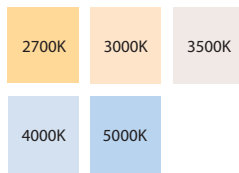
Application

Architectural/Commercial-grade recessed downlight housing for new construction installations in commercial and architectural spaces with medium to high ceiling (lensed Surface-Mounted Device (SMD) LED).

Mounting

Housing suitable for new construction installations only, supplied with (2) 24" adjustable hanger bars with 90° repositioning ability. Suitable for wood & metal joist support systems, and also drywall & T-bar ceilings. Hanger bars equipped with nail-less install 3/4" serrated barbed studs and captive nails, for faster and easier secure mounting in wood joists. Setscrews lock into position and prevent shifting after installation. Earthquake structural cable compatible for drop panel ceiling or any other mounting that requires direct support from structural ceilings.

Color Temperature



Available in 2700K, 3000K, 3500K, 4000K and 5000K in 84 CRI.

Insulation Contact

(CH4Q08), (CH4Q10) and (CH4Q18) are inherently thermally protected for direct insulation contact without the need for an enclosure. (CH4Q28), (CH4Q29) and (CH4Q30) are Non-IC rated housings and must be kept 3" from loose fill insulation.

Power Connection

LED lamp array is replaceable via on board quick disconnect terminal. Meets CA Title 24 requirements and other standards restricting the use of Medium Base or Bi-Pin sockets.

Thermal Management

Heat dissipation facilitated by a large exposed integral aluminum heat sink to maximize heat dissipation in an open-air environment. IC Option thermally engineered to ensure stated L70 LED life without the need for external box. The recommended ambient temperature should be below 35°C (95°F) to achieve a minimum L70 life of 50,000 hours according to the LM80 standard.

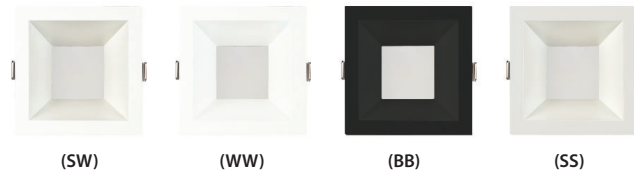
Reflector

Field adjustable twist and lock reflector is easily removable for both Non-IC and IC rated housings to provide quick access to LED lamp array. Frosted polycarbonate lens pre-installed on reflector unifies diode sources and protects diodes from dust and particles from front of aperture. Optional reflector (-EMA) features integral EM test switch for 10W Emergency Battery (-EM).

SPECIFICATION (Continued)

Reflector Finish

1-piece, self-flanged, dual reflector LED design provides a clean trim finish without secondary trim ring. Heavy gauge aluminum reflector prevents ugly dents during shipping & installation. Deeply mounted singular LED provides 50° visual cutoff. Available in Satin Haze Reflector/White Finish, White Reflector/White Finish, All Black, and All Satin Haze. Custom finishes available by special order. Additional charges apply. Consult factory.



Junction Box

16-gauge pre-wired galvanized steel Junction Box, 26 cubic-inch for a maximum of (8) #12 AWG wires. Furnished with (7) 1/2" knockouts. Strain clamps to install or remove covers for easy access and ground wire. (-CHP) option is Chicago Plenum, air-tight Junction Box.

Airflow

IC-Rated/Airtight (ICA) reflector design is designed to restrict air flow from room into plenums in compliance to the WSEC - Washington State Energy Code, (Less than 2.0 CFM -Cubic Feet per Minute).

Certifications and Listings



cETLus listed to UL1598 and UL8750. Suitable for dry, damp, and wet locations. NYC approved: Calendar #41937. Conforms to City of Chicago Environmental Air CCEA-200 with Section 18-27-300.22 and special requirements Section 14-20-210C-4. Assembled in USA.

Caution

LITON recommends use of surge protectors on the power entering LED Housings. Surge damage is not covered by warranty. (+1KV). Fixtures must be grounded in accordance with national, state and/or local electrical codes. Failure to do so may result in serious personal injury.

SPECIFICATION (Continued)

Control Options

ELV and TRIAC Driver 120V (-DIN):

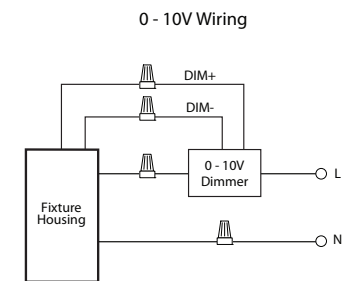
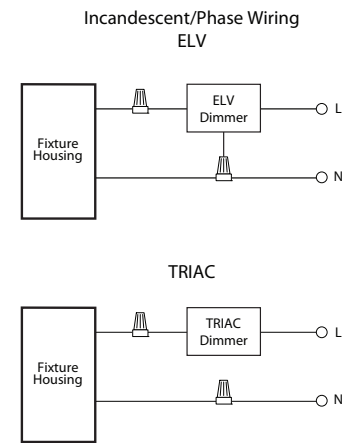
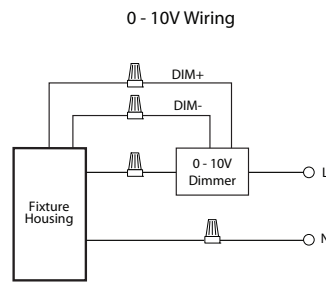
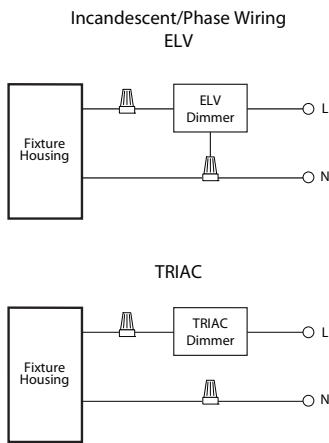
Compatible with electronic low voltage, and 2-Wire incandescent dimmers. Also known as leading edge, Reverse Phase, Forward Phase dimming. Allows smooth dimming down to 5% depending upon the dimmer's limitations.

0-10V Driver 120V/277V (UE-D10):

Compatible with most existing 0-10V systems. Also known as fluorescent or 5-Wire dimming. Allows smooth dimming down to 5% depending upon the dimmer's limitations. Compatible with daylight harvesting controls.

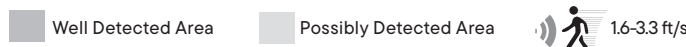
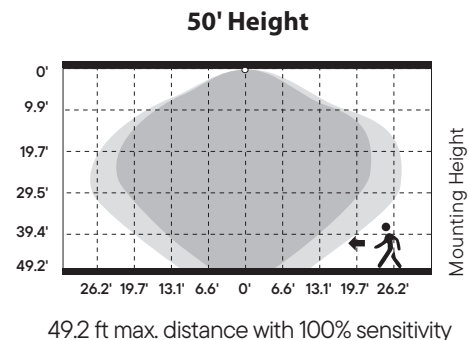
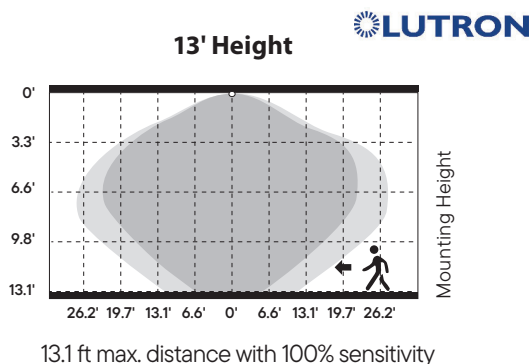
UniDim™ Driver 120V/277V (UE-DUN):

All in one ELV and TRIAC phase dimming (120V only), and 0-10V dimming (120V/277V). Works with most 3-Wire ELV, 2-Wire incandescent and 120V/277V 5-Wire 0-10V fluorescent dimmers.



Unisense™ PROGRAMMABLE MOTION + DAYLIGHT (-SUN-RMT, -SUN-RMT-1227)

- Microwave and PIR (Passive Infrared) sensors depending on option
- Daylight harvesting
- Dusk/dawn sensing capabilities
- Motion Sensor



SPECIFICATION (Continued)

Warranty

Covered by a 5-Year Warranty to be free of defects in materials and craftsmanship. Recommended for applications where ambient temperatures do not exceed 35°C (95°F), installations exceeding this temperature will result in reduced LED lamp life and a voided warranty.

Emergency Options

Emergency LED Battery Back-up available, remotely mounted adjacently by the installer. When AC power fails, the device immediately switches to the emergency mode, operating the LEDs for a minimum of 90 minutes. Remote test switch and plate cover included. Optional Generator Transfer Device switches the driver to auxiliary generator power during the loss of normal AC power, (recommended for applications requiring individual circuit switching).

EMERGENCY BATTERY (-EM): 10W

- Must be installed in Dry Locations
- 10W constant output to LED lamp

Not rated for outdoor mounting. Damp location rated.

-EM Lumen Data (Battery)

Fixture/Trim	CH4Q08/CR4QL17
Fixture Wattage:	10W
Fixture Lumens:	800
Multiplier:	1
EM Lumens:	800

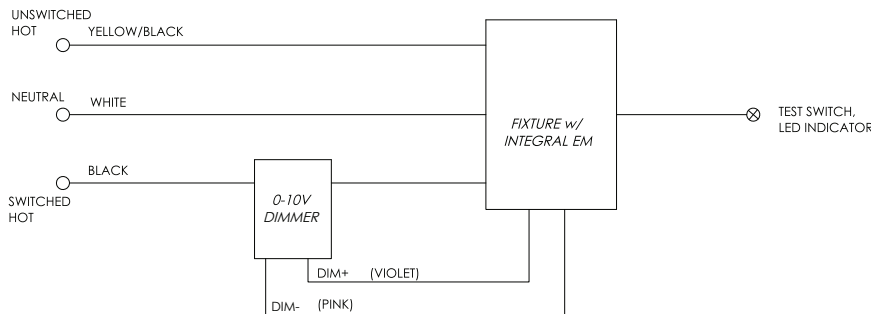
Fixture/Trim	CH4Q10/CR4QL17
Fixture Wattage:	18W
Fixture Lumens:	1300
Multiplier:	0.56
EM Lumens:	730

Fixture/Trim	CH4Q18/CR4QL17
Fixture Wattage:	22W
Fixture Lumens:	1600
Multiplier:	0.45
EM Lumens:	720

Fixture/Trim	CH4Q28/CR4QL17
Fixture Wattage:	28W
Fixture Lumens:	1800
Multiplier:	0.36
EM Lumens:	650

Fixture/Trim	CH4Q29/CR4QL17
Fixture Wattage:	25W
Fixture Lumens:	2200
Multiplier:	0.4
EM Lumens:	880

Fixture/Trim	CH4Q30/CR4QL17
Fixture Wattage:	30W
Fixture Lumens:	2600
Multiplier:	0.33
EM Lumens:	860



Input Voltage:	120-277VAC/60Hz
Output Voltage:	10W
Wattage:	10W
Switching Time:	<1s
Charging Time:	24h
Operating Time:	90 minutes
Minimum Temperature:	0°C
Maximum Temperature:	50°C
Self-Diagnostic:	No

SPECIFICATION (Continued)

FULL POWER EMERGENCY INVERTER (-EMAC or -EMAC347): 10W - 30W

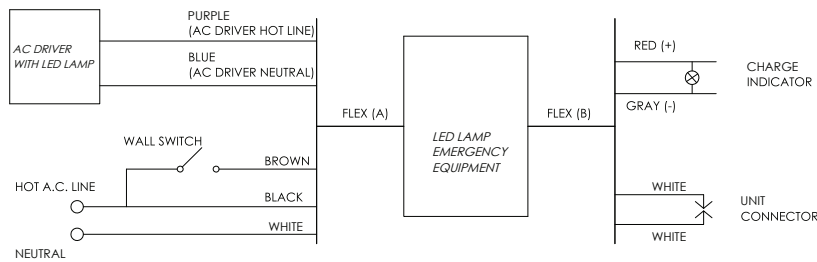
- Must be installed in Dry Locations
- Wattage package will determine battery sent; corresponding wiring diagrams below
- 170 VDC output to AC DRIVER during EM mode

Not rated for outdoor mounting. Damp location rated.

-EMAC Lumen Data (Battery)

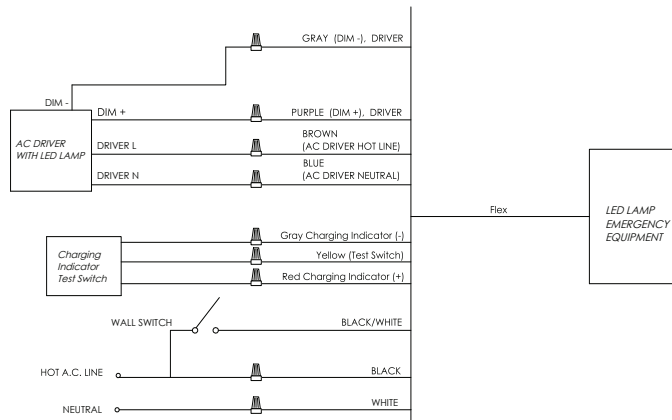
Fixture/Trim	CH4Q08/CR4QL17	Fixture/Trim	CH4Q10/CR4QL17	Fixture/Trim	CH4Q18/CR4QL17
Fixture Wattage:	10W	Fixture Wattage:	18W	Fixture Wattage:	22W
Fixture Lumens:	800	Fixture Lumens:	1300	Fixture Lumens:	1600
EM Lumens:	800	EM Lumens:	1300	EM Lumens:	1600
Fixture/Trim	CH4Q28/CR4QL17	Fixture/Trim	CH4Q29/CR4QL17	Fixture/Trim	CH4Q30/CR4QL17
Fixture Wattage:	28W	Fixture Wattage:	25W	Fixture Wattage:	30W
Fixture Lumens:	1800	Fixture Lumens:	2200	Fixture Lumens:	2600
EM Lumens:	1800	EM Lumens:	2200	EM Lumens:	2600

<25W LOAD



Input Voltage:	120-277VAC/60Hz
Output Voltage:	170VDC (120VAC Equivalent)
Wattage:	25W
Switching Time:	<1s
Charging Time:	24h
Operating Time:	90 minutes
Minimum Temperature:	0°C
Maximum Temperature:	50°C
Self-Diagnostic:	No

<40W LOAD



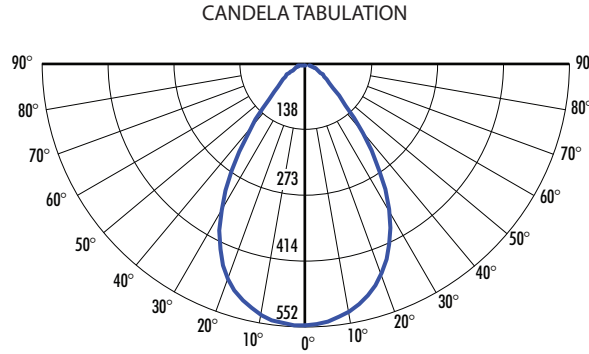
Input Voltage:	120-277VAC or 347VAC/60Hz
Output Voltage:	170VDC (120VAC Equivalent)
Wattage:	30W
Switching Time:	<1s
Charging Time:	24h
Operating Time:	90 minutes
Minimum Temperature:	0°C
Maximum Temperature:	50°C
Self-Diagnostic:	Yes

PHOTOMETRY

CH4Q08UE-D10_CR4QL17WW-T40 (800lm, 10W, 4000K)

System Power: 10W
 Test Date: 07/2024
 Beam Angle 50%: 69.5°
 Field Angle 10%: 114.1°
 Color Temperature: 3787K
 CRI: 82.8
 Lumens Delivered: 776
 CBCP: 551.9
 Power Factor: 0.99

MULTIPLIERS
 REFLECTOR FINISH
WW : 1.00
 SS : 0.89
 SW : 0.89
 BB : 0.52
 CCT
 2700K : 1.04
 3000K : 1.01
 3500K : 1.12
4000K : 1.00



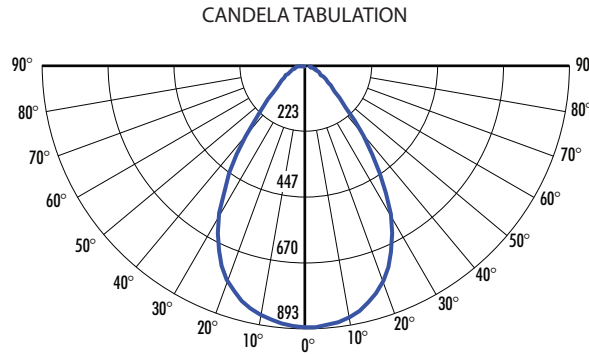
FOOTCANDLE DISTRIBUTION

Height	Beam Diameter	FC
8.0'	11.10'	8.62
10.0'	13.87'	5.52
12.0'	16.65'	3.83
14.0'	19.42'	2.82
16.0'	22.20'	2.16

CH4Q10UE-D10_CR4QL17WW-T40 (1300lm, 18W, 4000K)

System Power: 18W
 Test Date: 07/2024
 Beam Angle 50%: 70.1°
 Field Angle 10%: 115.6°
 Color Temperature: 3765K
 CRI: 82.3
 Lumens Delivered: 1287
 CBCP: 893.3
 Power Factor: 0.99

MULTIPLIERS
 REFLECTOR FINISH
WW : 1.00
 SS : 0.89
 SW : 0.89
 BB : 0.52
 CCT
 2700K : 1.04
 3000K : 1.01
 3500K : 1.12
4000K : 1.00



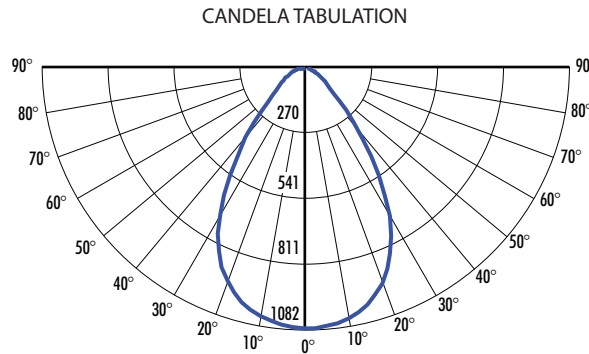
FOOTCANDLE DISTRIBUTION

Height	Beam Diameter	FC
8.0'	11.22'	13.96
10.0'	14.03'	8.93
12.0'	16.84'	6.20
14.0'	19.64'	4.56
16.0'	22.45'	3.49

CH4Q18UE-D10_CR4QL17WW-T40 (1600lm, 22W, 4000K)

System Power: 23W
 Test Date: 07/2024
 Beam Angle 50%: 70.0°
 Field Angle 10%: 115.6°
 Color Temperature: 3781K
 CRI: 82.2
 Lumens Delivered: 1561
 CBCP: 1081.8
 Power Factor: 0.99

MULTIPLIERS
 REFLECTOR FINISH
WW : 1.00
 SS : 0.89
 SW : 0.89
 BB : 0.52
 CCT
 2700K : 1.04
 3000K : 1.01
 3500K : 1.12
4000K : 1.00



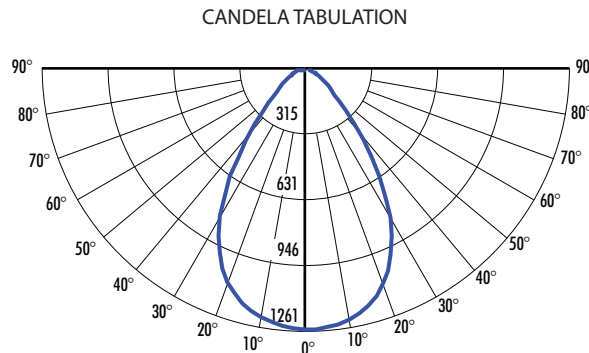
FOOTCANDLE DISTRIBUTION

Height	Beam Diameter	FC
8.0'	11.20'	16.90
10.0'	14.00'	10.82
12.0'	16.80'	7.51
14.0'	19.61'	5.52
16.0'	22.41'	4.23

CH4Q28UE-D10_CR4QL17WW-T40 (1800lm, 28W, 4000K)

System Power: 28W
 Test Date: 07/2024
 Beam Angle 50%: 70.1°
 Field Angle 10%: 115.5°
 Color Temperature: 3792K
 CRI: 82.1
 Lumens Delivered: 1818
 CBCP: 1261
 Power Factor: 0.99

MULTIPLIERS
 REFLECTOR FINISH
WW : 1.00
 SS : 0.89
 SW : 0.89
 BB : 0.52
 CCT
 2700K : 1.04
 3000K : 1.01
 3500K : 1.12
4000K : 1.00



FOOTCANDLE DISTRIBUTION

Height	Beam Diameter	FC
8.0'	11.22'	19.70
10.0'	14.03'	12.61
12.0'	16.84'	8.76
14.0'	19.64'	6.43
16.0'	22.45'	4.93

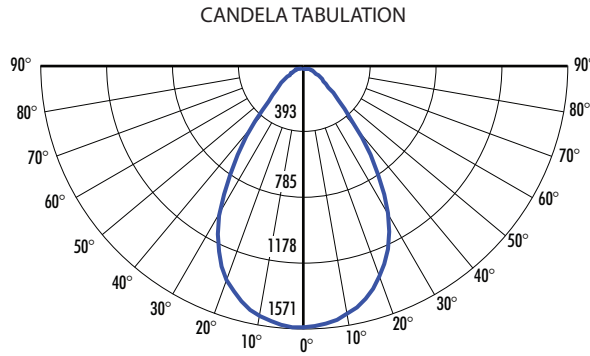
2024.07.15

PHOTOMETRY (Continued)

CH4Q29UE-D10_CR4QL30WW-T40 (2200lm, 25W, 4000K)

System Power: 25W
 Test Date: 07/2024
 Beam Angle 50%: 69.8°
 Field Angle 10%: 114.7°
 Color Temperature: 3850K
 CRI: 83.1
 Lumens Delivered: 2228
 CBCP: 1570.8
 Power Factor: 0.99

MULTIPLIERS
REFLECTOR FINISH
WW : 1.00
 SS : 0.89
 SW : 0.89
 BB : 0.52
CCT
 2700K : 1.04
 3000K : 1.01
 3500K : 1.12
4000K : 1.00



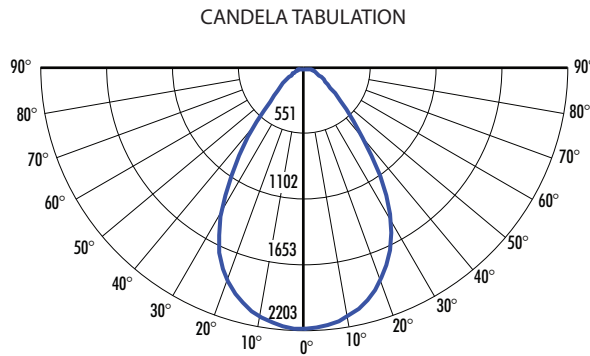
FOOTCANDLE DISTRIBUTION

Height	Beam Diameter	FC
8.0'	11.16'	24.54
10.0'	13.95'	15.71
12.0'	16.74'	10.91
14.0'	19.53'	8.01
16.0'	22.32'	6.14

CH4Q30UE-D10_CR4QL30WW-T40 (2600lm, 30W, 4000K)

System Power: 30W
 Test Date: 07/2024
 Beam Angle 50%: 69.9°
 Field Angle 10%: 114.7°
 Color Temperature: 3864K
 CRI: 83.1
 Lumens Delivered: 2617
 CBCP: 1844.4
 Power Factor: 0.99

MULTIPLIERS
REFLECTOR FINISH
WW : 1.00
 SS : 0.89
 SW : 0.89
 BB : 0.52
CCT
 2700K : 1.04
 3000K : 1.01
 3500K : 1.12
4000K : 1.00



FOOTCANDLE DISTRIBUTION

Height	Beam Diameter	FC
8.0'	11.18'	28.82
10.0'	13.98'	18.44
12.0'	16.77'	12.81
14.0'	19.57'	9.41
16.0'	22.37'	7.20