

SPECIFICATION

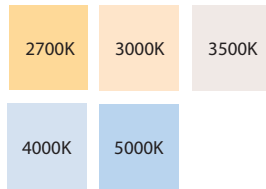
Application

Architectural/Commercial-grade shallow recessed LED luminaire is for new construction projects where there is minimal plenum air-space in ceiling. (COB) Chip on Board Beam Control LED allows for concentrated high center beam candlepower. TIR beam control optic is designed for field replacement of 15°, 25°, 40°, and 60° beam spread options.

Mounting

Housing suitable for new construction installations only, supplied with (2) 24" adjustable hanger bars with 90° repositioning ability. Suitable for wood & metal joist support systems, and also drywall & T-bar ceilings. Hanger bars equipped with nail-less install 3/4" serrated barbed studs and captive nails, for faster and easier secure mounting in wood joists. Set-screws lock into position and prevent shifting after installation. Earthquake structural cable compatible for drop panel ceiling or any other mounting that requires direct support from structural ceilings.

Color Temperature (CCT)



Available in 2700K, 3000K, 3500K, 4000K, 90 CRI; 5000K 80 CRI; 2700K and 3000K, 97 CRI.

COLOR TEMP:	2700K	3000K	3500K	4000K	5000K
CRI:	90, 97	90, 97	90	90	80

Insulation Contact

CH4SHLC10 is inherently thermally protected for direct insulation contact without the need for an enclosure. Can order with non-IC rated housings and must be kept 3" from loose-fill insulation.

Power Connection

Our LED lamp array is replaceable via our on board quick disconnect terminal. Meets CA Title 24 Requirements and other standards restricting the use of Medium Base or Bi-Pin Sockets.

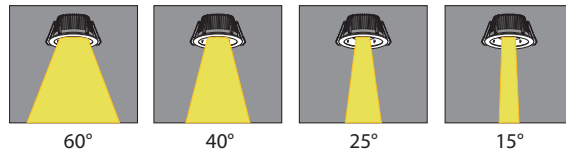
Thermal Management

Heat dissipation facilitated by a large exposed integral aluminum heat sink to maximize heat dissipation in an open-air environment. The recommended ambient temperature should be below 35°C (95°F) to achieve a minimum L70 life of 50,000 hours according to the LM80 standard.

SPECIFICATION (Continued)

Optics

Multifaceted aluminum reflectors produces low glare illumination with multiple light control options.



Reflector Finish

1-piece, self-flanged LED design enables a clean trim finish without secondary trim ring. Heavy gauge aluminum reflector prevents ugly dents during shipping & installation. Deeply mounted singular LED provides 25° visual cutoff. Available in Satin Haze Reflector/White Finish, White Reflector/ White Finish, All Black, and All Satin Haze.

Junction Box

16-gauge pre-wired galvanized steel Junction Box, 26 cubic-inch for a maximum of (8) #12 AWG wires. Furnished with (7) 1/2" knockouts. Strain clamps to install or remove covers for easy access and ground wire. (-CHP) option is Chicago Plenum, air-tight Junction Box.

Certifications and Listings



Certifications and Listings: ETL / cETL Listed to UL1598 and UL8750 standards.
Assembled in USA.

Caution

LITON recommends use of surge protectors on the power entering LED Housings. Surge damage is not covered by warranty. (+1KV). Fixtures must be grounded in accordance with national, state and/or local electrical codes. Failure to do so may result in serious personal injury.

Warranty

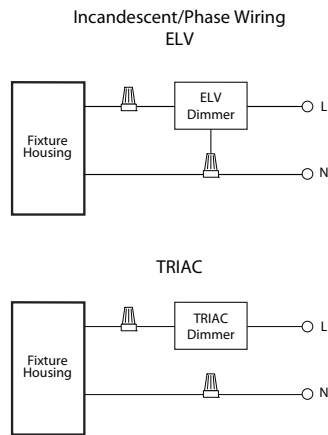
Covered by a 5-Year Warranty to be free of defects in materials and craftsmanship. Fixture should not be installed in applications with ambient temperature above 50°C/122°F. Doing so will result in reduced lamp life and voided warranty.

SPECIFICATION (Continued)

Control Options

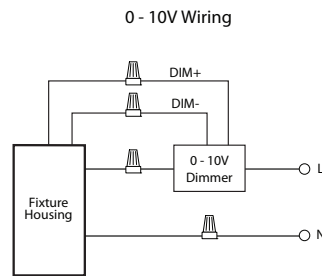
ELV and TRIAC Driver 120V (-DIN):

Compatible with electronic low voltage, and 2-Wire incandescent dimmers. Also known as leading edge, Reverse Phase, Forward Phase dimming. Allows smooth dimming down to 5% depending upon the dimmer's limitations.



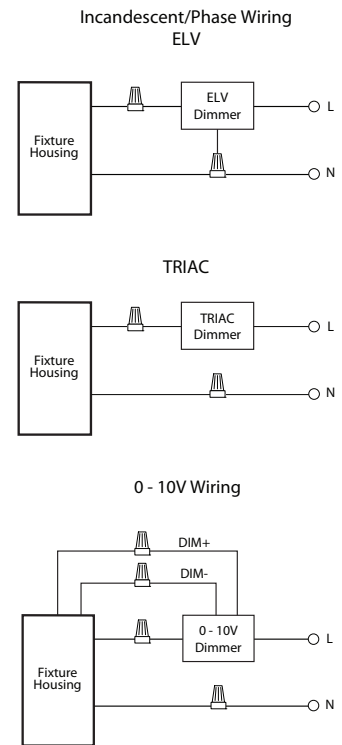
0-10V Driver 120V/277V (UE-D10):

Compatible with most existing 0-10V systems. Also known as fluorescent or 5-Wire dimming. Allows smooth dimming down to 5% depending upon the dimmer's limitations. Compatible with daylight harvesting controls.



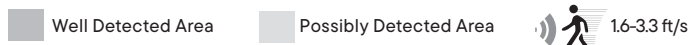
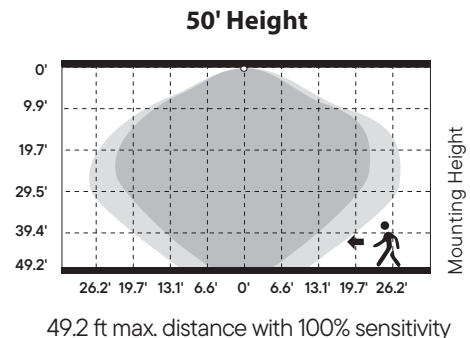
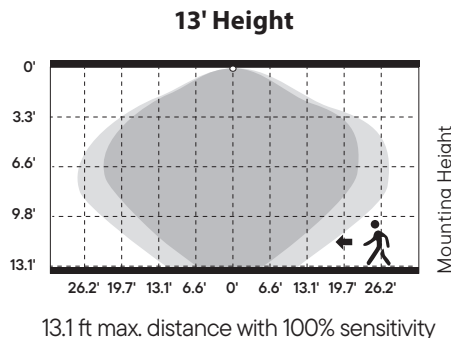
UniDim™ Driver 120V/277V (UE-DUN):

All in one ELV and TRIAC phase dimming (120V only), and 0-10V dimming (120V/277V). Works with most 3-Wire ELV, 2-Wire incandescent and 120V/277V 5-Wire 0-10V fluorescent dimmers.



Unisense™ PROGRAMMABLE MOTION + DAYLIGHT (-SUN-RMT, -SUN-RMT-1227)

- Microwave and PIR (Passive Infrared) sensors depending on option
- Daylight harvesting
- Dusk/dawn sensing capabilities
- Motion Sensor



SPECIFICATION (Continued)

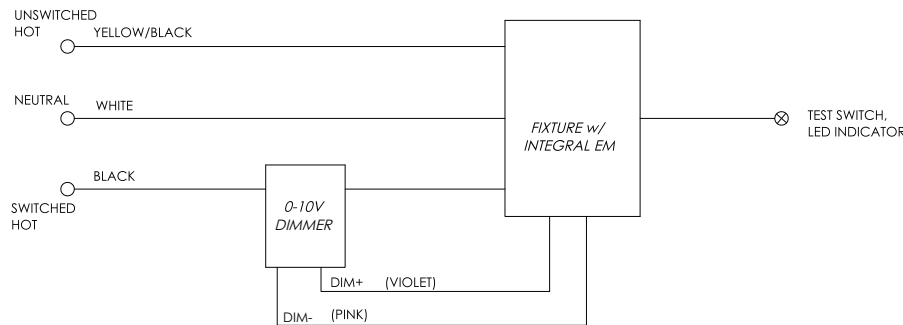
INTEGRAL EMERGENCY BATTERY BACKUP (UE-D10-EMA): 10W

- Must be installed in Dry Locations
- 10W constant output to LED lamp

Not rated for outdoor mounting. Damp location rated.

-EM Lumen Data (Battery)

Fixture/Trim	CH4SHLC10	Fixture/Trim	CH4SHLC15
Fixture Wattage:	10W	Fixture Wattage:	15W
Fixture Lumens:	800	Fixture Lumens:	1400
Multiplier:	1	Multiplier:	0.67
EM Lumens:	1000	EM Lumens:	1000



Input Voltage:	120-277VAC/60Hz
Output Voltage:	10W
Wattage:	10W
Switching Time:	<3s
Charging Time:	12h
Operating Time:	90 minutes
Minimum Temperature:	0°C
Maximum Temperature:	48°C
Self-Diagnostic:	Yes

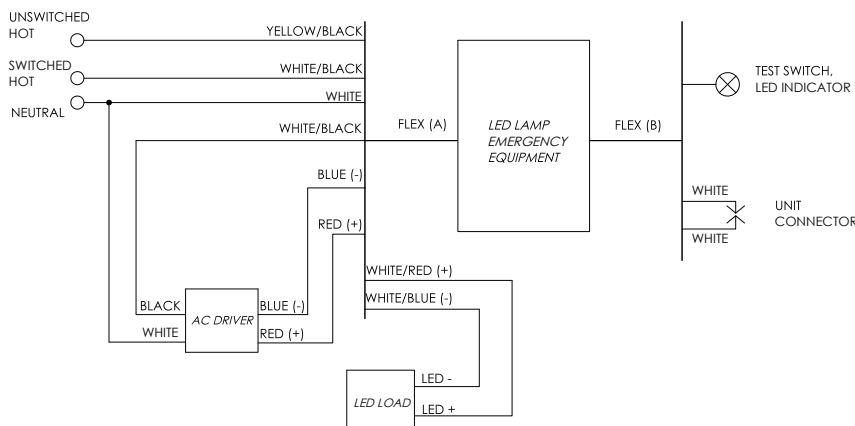
EMERGENCY BATTERY (-EM): 10W

- Must be installed in Dry Locations
- 10W constant output to LED lamp

Not rated for outdoor mounting. Damp location rated.

-EM Lumen Data (Battery)

Fixture/Trim	CH4SHLC10	Fixture/Trim	CH4SHLC15
Fixture Wattage:	10W	Fixture Wattage:	15W
Fixture Lumens:	800	Fixture Lumens:	1400
Multiplier:	1	Multiplier:	0.67
EM Lumens:	1000	EM Lumens:	1000



Input Voltage:	120-277VAC/60Hz
Output Voltage:	10W
Wattage:	10W
Switching Time:	<1s
Charging Time:	24h
Operating Time:	90 minutes
Minimum Temperature:	0°C
Maximum Temperature:	50°C
Self-Diagnostic:	No

SPECIFICATION (Continued)

FULL POWER EMERGENCY INVERTER (-EMAC): 15W Emergency Battery

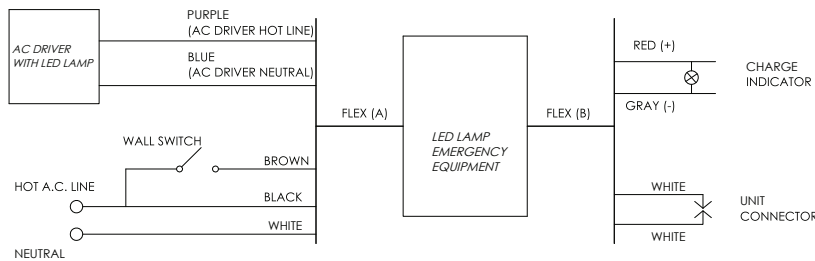
- Must be installed in Dry Locations
- Wattage package will determine battery sent; corresponding wiring diagrams below
- 170 VDC output to AC DRIVER during EM mode

Not rated for outdoor mounting. Damp location rated.

-EMAC Lumen Data (Battery)

Fixture/Trim	CH4SHLC10	Fixture/Trim	CH4SHLC15
Fixture Wattage:	10W	Fixture Wattage:	15W
Fixture Lumens:	800	Fixture Lumens:	1400
EM Lumens:	800	EM Lumens:	1400

<18W LOAD

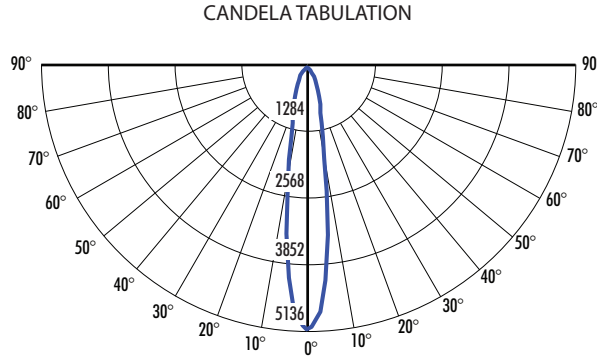


Input Voltage:	120-277VAC/60Hz
Output Voltage:	170VDC (120VAC Equivalent)
Wattage:	18W
Switching Time:	<1s
Charging Time:	24h
Operating Time:	90 minutes
Minimum Temperature:	0°C
Maximum Temperature:	50°C
Self-Diagnostic:	No

PHOTOMETRY

CH4SHLC15UE-D10 / CR4SHLC14WW-B15-T30 (1400lm, 15W, 15°, 3000K)

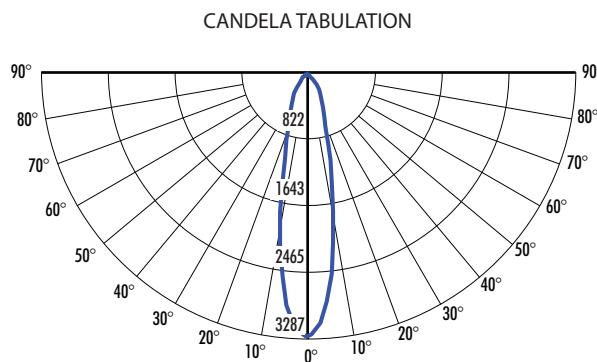
System Power:	14W	MULTIPLIERS	
Test Date:	06/2025	CCT	
Beam Angle 50%:	17.4°	2700K:	0.93
Field Angle 10%:	49.4°	3000K:	1.00
Color Temperature:	3017K	3500K:	1.03
CRI:	93.50	4000K:	1.08
Lumens Delivered:	1181	5000K:	1.11
CBCP:	5136	Trim Finish	
Power Factor:	0.99	SW:	1.00
		WW:	1.09
		Lumens	
		CRTR4SHLC10	0.62
		CRTR4SHLC15	1.00



FOOTCANDLE DISTRIBUTION		
Height	Beam Diameter	FC
8.0'	2.45'	80.25
10.0'	3.06'	51.36
12.0'	3.67'	35.67
14.0'	4.28'	26.20
16.0'	4.89'	20.06

CH4SHLC15UE-D10 / CR4SHLC14WW-B25 (1400lm, 15W, 25°, 3000K)

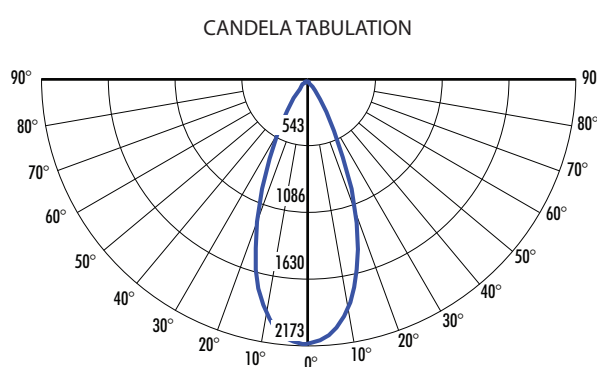
System Power:	14W	MULTIPLIERS	
Test Date:	06/2025	CCT	
Beam Angle 50%:	23.2°	2700K:	0.93
Field Angle 10%:	63.0°	3000K:	1.00
Color Temperature:	3017K	3500K:	1.03
CRI:	93.50	4000K:	1.08
Lumens Delivered:	1107	5000K:	1.11
CBCP:	3286	Trim Finish	
Power Factor:	0.99	SW:	1.00
		WW:	1.09
		Lumens	
		CRTR4SHLC10	0.62
		CRTR4SHLC15	1.00



FOOTCANDLE DISTRIBUTION		
Height	Beam Diameter	FC
8.0'	3.28'	51.34
10.0'	4.11'	32.86
12.0'	4.93'	22.82
14.0'	5.75'	16.77
16.0'	6.57'	12.84

CH4SHLC15UE-D10 / CR4SHLC14WW-B25 (1400lm, 15W, 40°, 3000K)

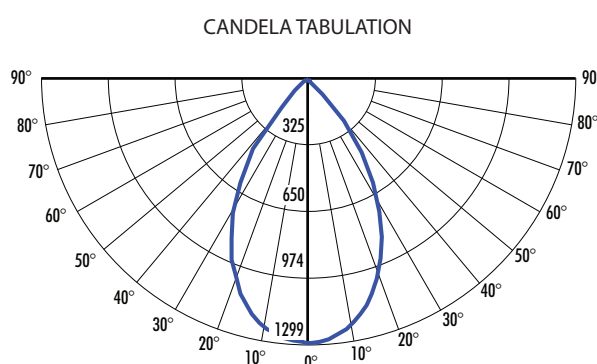
System Power:	14W	MULTIPLIERS	
Test Date:	06/2025	CCT	
Beam Angle 50%:	42.3°	2700K:	0.93
Field Angle 10%:	72.1°	3000K:	1.00
Color Temperature:	3017K	3500K:	1.03
CRI:	93.50	4000K:	1.08
Lumens Delivered:	1238	5000K:	1.11
CBCP:	2172	Trim Finish	
Power Factor:	0.99	SW:	1.00
		WW:	1.09
		Lumens	
		CRTR4SHLC10	0.62
		CRTR4SHLC15	1.00



FOOTCANDLE DISTRIBUTION		
Height	Beam Diameter	FC
8.0'	6.19'	33.94
10.0'	7.74'	21.72
12.0'	9.28'	15.08
14.0'	10.83'	11.08
16.0'	12.38'	8.48

CH4SHLC15UE-D10 / CR4SHLC14WW-B40 (1400lm, 15W, 60°, 3000K)

System Power:	14W	MULTIPLIERS	
Test Date:	06/2025	CCT	
Beam Angle 50%:	63.4°	2700K:	0.93
Field Angle 10%:	92.2°	3000K:	1.00
Color Temperature:	3017K	3500K:	1.03
CRI:	93.50	4000K:	1.08
Lumens Delivered:	1356	5000K:	1.11
CBCP:	1300	Trim Finish	
Power Factor:	0.99	SW:	1.00
		WW:	1.09
		Lumens	
		CRTR4SHLC10	0.62
		CRTR4SHLC15	1.00



FOOTCANDLE DISTRIBUTION		
Height	Beam Diameter	FC
8.0'	9.88'	20.31
10.0'	12.35'	13.00
12.0'	14.82'	9.03
14.0'	17.29'	6.63
16.0'	19.76'	5.08

2025.06.01