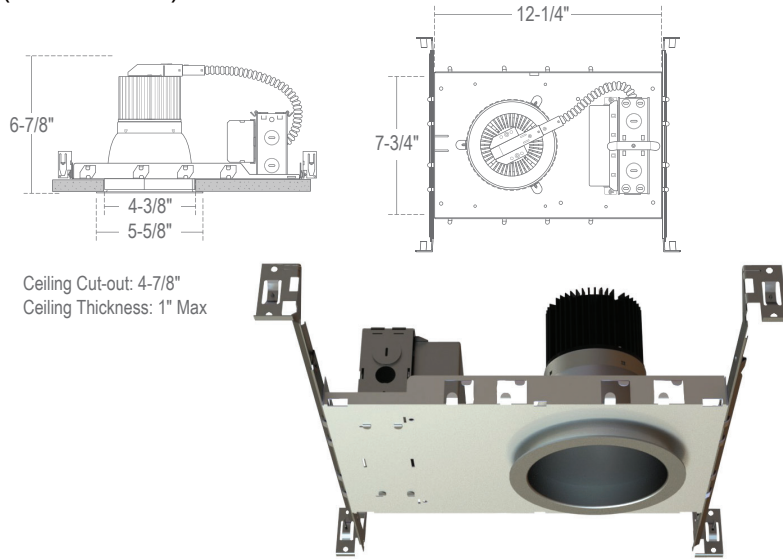


CH4 : 4" C-SERIES

LED DOWNLIGHT NEW CONSTRUCTION 240LM - 400LM (11W-22W)
 AMBER (TURTLE SAFE)



- 590nm AMBER Turtle Safe
- Heavy-duty self-flanged reflector
- Soft even lumen distribution
- No visible screws or hardware

ORDERING : CH410ICAUE-DUN-EM/CR4L17BBF-EMA-TAM

CH4xx

Housing	Insulation Contact	Control	Emergency Options	Reflector LED	Reflector Option	Color Temperature	Options
240lm (11W) CH410 [Options]				All Black /CR4L17BBF	None Blank	590nm Amber -TAM	None Blank
320lm (16W) CH418 [Options]					Integral EM -EMA¹		4.5" Ceiling Thickness -CT4
400lm (22W) CH428 [Options]					Switch		

Options

Insulation Contact		Control		Emergency Options	
Non-IC Blank		Non-Dimming (120V) Blank		None Blank	
IC Rated/Airtight ICA		UniDim™ 0-10V, TRIAC/ELV Dimming (120V/277V) UE-DUN		10W Emergency Battery -EM	
		TRIAC/ELV Dimming (120V) -DIN		Full Power Emergency Inverter -EMAC²	
		DMX Dimming with input via XLR5 (120V/277V) UE-DMXLR5		Full Power Emergency Inverter (347V) -EMAC347²	
		DMX Dimming with input via RJ45 (120V/277V) UE-DMXRJ45		GTD Device -GTD	

¹ Only available for EM Housings.

² Check wiring diagram.

COMPATABILITY

VR800
 Outdoor Vandal Resistant Kit



SPECIFICATION

Application

Architectural/Commercial-grade recessed lensed LED downlight housing for medium to high ceilings in commercial and architectural spaces.

Mounting

Housing suitable for new construction installations only, supplied with (2) 24" adjustable hanger bars with 90° repositioning ability. Suitable for wood & metal joist support systems, and also drywall & T-bar ceilings. Hanger bars equipped with nail-less install 3/4" serrated barbed studs and captive nails, for faster and easier secure mounting in wood joists. Set-screws lock into position and prevent shifting after installation. Earthquake structural cable compatible for drop panel ceiling or any other mounting that requires direct support from structural ceilings. Optional galvanized aluminum Architectural C-Channel Batwing also available. (C260) & (C260J) hanger bars are **NOT included** with (-BWNG) option, and must be ordered separately.

Driver

120V/277V AC 50/60Hz Electronic Direct Current Class 2. Input current 0.50 Amps at 115VAC. Power Factor > 0.90. Operating Temperature: -20°C to +50°C / -4°F to +131°F. Accessible from above or below ceiling.

(UE-D10) 0-10V dimming works with most 5-wire, 0-10V dimmers. Factory qualified for use with Leviton IP710-DLZ.

Color Temperature



Available in 590nm Amber.

Insulation Contact

Non-IC rated housing must be kept 3" from loose-fill insulation. IC-Rated/Airtight (ICA) option is for direct insulation contact.

Power Connection

LED lamp array is replaceable via on board quick disconnect terminal. Meets CA Title 24 Requirements and other standards restricting the use of Medium Base or Bi-Pin Sockets.

Thermal Management

Heat dissipation facilitated by a large exposed integral aluminum heat sink to maximize heat dissipation in an open-air environment. IC Option thermally engineered to ensure stated L70 LED life without the need for external box. The recommended ambient temperature should be below 35°C (95°F) to achieve a minimum L70 life of 50,000 hours according to the LM80 standard.

SPECIFICATION (Continued)

Reflector

Field adjustable twist and lock reflector is easily removable for both Non-IC and IC rated housings to provide quick access to LED lamp array. Frosted polycarbonate lens pre-installed on reflector unifies diode sources and protects diodes from dust and particles from front of aperture. Optional reflector (-EMA) features integral EM switch for 10W emergency backup (UE-D10-EM).

Reflector Finish

1-piece, self-flanged, dual reflector LED design provides a clean trim finish without secondary trim ring. Heavy gauge aluminum reflector prevents ugly dents during shipping & installation. Deeply mounted singular LED provides 50° visual cutoff. Available in Satin Haze Reflector/White Finish, White Reflector/White Finish, All Black, Clear Specular Reflector White Finish, and All Satin Haze.

Junction Box

16-gauge pre-wired galvanized steel Junction Box, 26 cubic-inch for a maximum of (8) #12 AWG wires. Furnished with (7) 1/2" knockouts. Strain clamps to install or remove covers for easy access and ground wire. (-CHP) option is Chicago Plenum, air-tight Junction Box.

Airflow

IC-Rated/Airtight (ICA) reflector design is designed to restrict air flow from room into plenums in compliance to the WSEC - Washington State Energy Code, (Less than 2.0 CFM -Cubic Feet per Minute).

Certifications and Listings

cETLus listed to UL1598 and UL8750. Suitable for dry, damp and wet locations.
NYC approved: Calendar #41937.

Caution

LITON recommends use of surge protectors on the power entering LED Housings. Surge damage is not covered by warranty. (+1KV). Fixtures must be grounded in accordance with national, state and/or local electrical codes. Failure to do so may result in serious personal injury.

Warranty

Covered by a 5-Year Warranty to be free of defects in materials and craftsmanship. Recommended for applications where ambient temperatures do not exceed 35°C (95°F), installations exceeding this temperature will result in reduced LED lamp life and a voided warranty.

SPECIFICATION (Continued)

Emergency Options

Emergency LED Battery Back-up available, remotely mounted adjacent to housing by installer. When AC power fails, in the event of a power failure, the device immediately switches to the emergency mode, and operates the existing fixture for 90 minutes. Remote test switch and plate cover included. Optional Generator Transfer Device switches the driver to auxiliary generator power during the loss of normal AC power, (recommended for applications requiring individual circuit switching).

EMERGENCY BATTERY (-EM): 10W

- Must be installed in Dry Locations
- 10W constant output to LED lamp

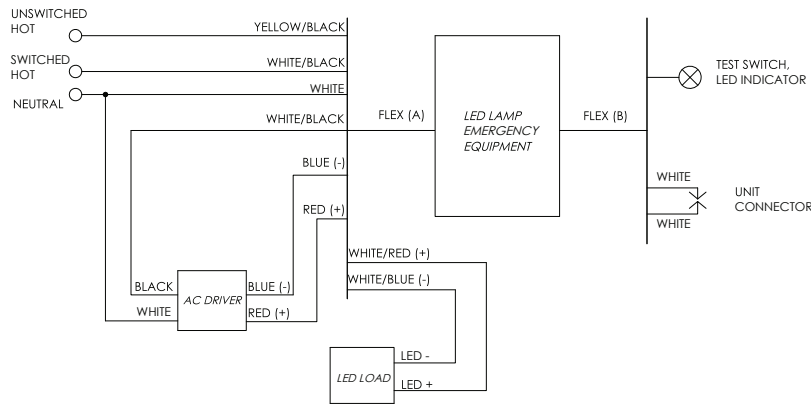
Not rated for outdoor mounting. Damp location rated.

-EM Lumen Data (Battery)

Fixture/Trim	CH410
Fixture Wattage:	11W
Fixture Lumens:	240
Multiplier:	1
EM Lumens:	240

Fixture/Trim	CH418
Fixture Wattage:	16W
Fixture Lumens:	320
Multiplier:	0.67
EM Lumens:	200

Fixture/Trim	CH428
Fixture Wattage:	22W
Fixture Lumens:	400
Multiplier:	0.45
EM Lumens:	180



Input Voltage:	120-277VAC/60Hz
Output Voltage:	10W
Wattage:	10W
Switching Time:	<1s
Charging Time:	24h
Operating Time:	90 minutes
Minimum Temperature:	0°C
Maximum Temperature:	50°C
Self-Diagnostic:	No

SPECIFICATION (Continued)

FULL POWER EMERGENCY INVERTER (-EMAC or -EMAC347): 11W - 22W

- Must be installed in Dry Locations
- Wattage package will determine battery sent; corresponding wiring diagrams below
- 170 VDC output to AC DRIVER during EM mode

Not rated for outdoor mounting. Damp location rated.

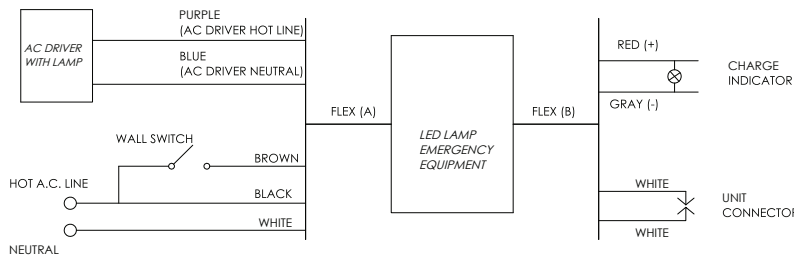
-EMAC Lumen Data (Battery)

Fixture/Trim	CH410
Fixture Wattage:	11W
Fixture Lumens:	240
EM Lumens:	240

Fixture/Trim	CH418
Fixture Wattage:	16W
Fixture Lumens:	320
EM Lumens:	320

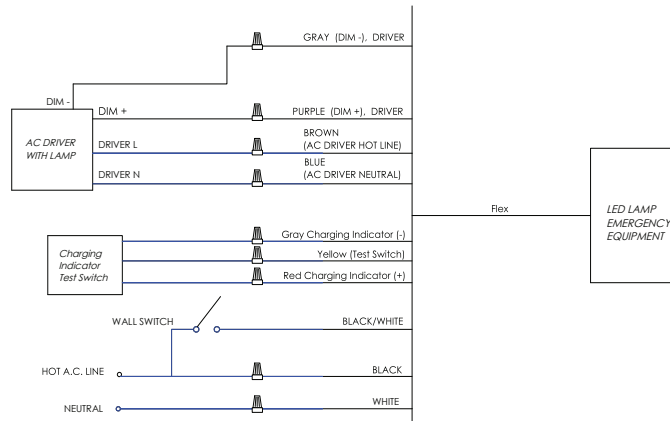
Fixture/Trim	CH428
Fixture Wattage:	22W
Fixture Lumens:	400
EM Lumens:	400

<25W LOAD



Input Voltage:	120-277VAC/60Hz
Output Voltage:	170VDC (120VAC Equivalent)
Wattage:	25W
Switching Time:	<1s
Charging Time:	24h
Operating Time:	90 minutes
Minimum Temperature:	0°C
Maximum Temperature:	50°C
Self-Diagnostic:	No

<40W LOAD



Input Voltage:	120-277VAC or 347VAC/60Hz
Output Voltage:	170VDC (120VAC Equivalent)
Wattage:	28W
Switching Time:	<1s
Charging Time:	24h
Operating Time:	90 minutes
Minimum Temperature:	0°C
Maximum Temperature:	50°C
Self-Diagnostic:	Yes