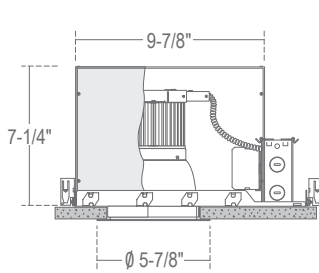


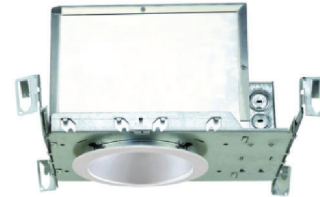
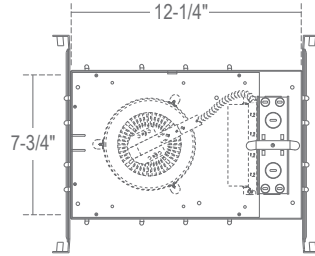
CH4IC : C-SERIES

4" TYPE IC DOWNLIGHT NEW CONSTRUCTION 1000LM - 3000LM (8W-28W)

- IC rated housing
- Twist and lock reflector for quick access to LED lamp array
- Heavy-duty self-flanged reflector
- Soft even lumen distribution
- No visible screws or hardware



Ceiling Cut-Out: 4-7/8"
Ceiling Thickness: 1" Max.



ORDERING – CH410ICUE-D10-EMAC/CR4L17SW-EMA-T30

CH4xxIC

Housing Driver Options Emergency Options J-Box / Reflector Reflector Finish Reflector Option CCT

| Housing ¹ | Reflector ¹ | Reflector Finish | Reflector Option | CCT |
|---------------------------------------|------------------------|---------------------------------------|--|----------------------------|
| 1000lm (8W) CH408IC [Options] | /CR4L17 | Satin Haze Reflector/ White Finish | None Blank | 2700K (84 CRI) -T27 |
| 1600lm (17W) CH410IC [Options] | /CR4L17 | White Reflector/ White Finish | Integral EM Switch -EMA³ | 3000K (84 CRI) -T30 |
| 1900lm (22W) CH418IC [Options] | /CR4L17 | All Black | | 3500K (84 CRI) -T35 |
| 2300lm (28W) CH428IC [Options] | /CR4L17 | Clear Specular Reflector/White Finish | | 4000K (84 CRI) -T40 |
| 3000lm (28W) CH428IC [Options] | /CR4L30 | All Satin Haze Reflector Finish | | 5000K (84 CRI) -T50 |

Options

| Driver Options ² | Emergency Options ⁸ | J-Box |
|---|--|---|
| 0-10V Dimming UE-D10 | None Blank | None Blank |
| UniDim™ 0-10V ELV and Triac Dimming UE-DUN | 12W Emergency Backup -EM | Junction Box (Chicago Plenum) -CHP |
| 120V ELV and Triac Dimming -DIN | Remote Locator Emergency System -EMAC⁷ | |
| Lutron HighLume UE-DHL | Generator Transfer Device -GTD | |
| Lutron EcoSystem 347V UE-ECO -347⁶ | | |
| 0-10V Dimming (1%) UE-D10P1 | | |
| 0-10V Dimming with 40W Emergency Backup UE-D10-EMA³ | | |

¹ Housing must match corresponding Reflector in column to right.

² All drivers are 120V/277V unless otherwise noted.

³ (UE-D10-EMA) must be ordered with Integral EM Switch Option (-EMA).

⁶ (-347) not available for CH408IC.

⁷ (-EMAC) Check Wiring Diagrams.

⁸ All EM/EMAC/GTD must have access above ceiling.

COMPATABILITY

P-CR472

Wall Wash for 4"



SPECIFICATION

Application

Architectural/Commercial-grade recessed lensed LED downlight housing for medium to high ceilings in commercial and architectural spaces.

Mounting

Housing suitable for new construction installations only, supplied with (2) 24" adjustable hanger bars with 90° repositioning ability. Suitable for wood & metal joist support systems, and also drywall & T-bar ceilings. Hanger bars equipped with nail-less install 3/4" serrated barbed studs and captive nails, for faster and easier secure mounting in wood joists. Set-screws lock into position and prevent shifting after installation. Earthquake structural cable compatible for drop panel ceiling or any other mounting that requires direct support from structural ceilings.

Driver

120V/277V AC 50/60Hz Electronic Direct Current Class 2. Input current 0.50 Amps at 115VAC. Power Factor > 0.90. Operating Temperature: -20°C to +50°C / -4°F to +131°F. Accessible from above or below ceiling.

(UE-D10) 0-10V dimming works with most 5-wire, 0-10V dimmers. Factory qualified for use with Leviton IP710-DLZ.

(UE-DUN) Uni-Dim™ dimming option is a universal dimming system that works with most 3-wire ELV, 2-wire incandescent and 120V/277V 5-wire 0-10V fluorescent dimmers.

(-DIN) dimming option smoothly dims down to 5% of initial light output with flicker-free performance. Works with standard 120V incandescent dimmers.

(UE-DHL) Lutron HiLume is a 3-wire driver that provides smooth, continuous 1% dimming for virtually any LED fixture.

(UE-ECO) Works with Lutron EcoSystem digital controls. Precision microprocessor control and integral thermal management deliver energy savings and extended product life. (-347) is a 0-10V driver that takes 347V input.

(UE-D10P1) 0-10V dims down to 1% and works with most 120V/277V, 5-wire, 0-10V dimmers.

Emergency Options

Emergency LED Battery Back-up available, remotely mounted adjacent to housing by installer. When AC power fails, the device immediately switches to the emergency mode, operating the LEDs for a minimum of 90 minutes. Remote test switch and plate cover included. Optional Generator Transfer Device switches the driver to auxiliary generator power during the loss of normal AC power, (recommended for applications requiring individual circuit switching).

Color Temperature

Available in 2700K, 3000K, 3500K, 4000K and 5000K.

Insulation Contact

IC rated housing rated for direct contact with low to medium density loosefill blown and rolled insulation.

Power Connection

LED lamp array is replaceable via on board quick disconnect terminal. Meets CA Title 24 Requirements and other standards restricting the use of Medium Base or Bi-Pin Sockets.

Thermal Management

Heat dissipation facilitated by a large exposed integral aluminum heat sink to maximize heat dissipation in an open-air environment. IC Option thermally engineered to ensure stated L70 LED life without the need for external box. The recommended ambient temperature should be below 35°C to achieve a minimum L70 life of 50,000 hours according to the LM80 standard.

Reflector

Field adjustable twist and lock reflector is easily removable to provide quick access to LED lamp array. Frosted polycarbonate lens pre-installed on reflector unifies diode sources and protects diodes from dust and particles from front of aperture. Optional reflector (-EMA) features integral EM switch for 12W emergency backup (UE-D10-EM).

Reflector Finish

1-piece, self-flanged, dual reflector LED design enables a clean trim finish without secondary trim ring. Heavy gauge aluminum reflector prevents ugly dents during shipping & installation. Deeply mounted singular LED provides 50° visual cutoff. Available in Satin Haze Reflector/White Finish, White Reflector/White Finish, All Black, Clear Specular Reflector/White Finish, and All Satin Haze.

Junction Box

16-gauge pre-wired galvanized steel Junction Box, 26 cubic-inch for a maximum of (8) #12 AWG wires. Furnished with (7) 1/2" knockouts. Strain clamps to install or remove covers for easy access and ground wire. (-CHP) option is Chicago Plenum, air-tight Junction Box.

Airflow

IC-Rated/Airtight (ICA) reflector design is designed to restrict air flow from room into plenums in compliance to the WSEC - Washington State Energy Code, (Less than 2.0 CFM -Cubic Feet per Minute).

Certifications and Listings

cETLus listed. Suitable for dry, damp, and wet locations. NYC approved. Calendar #41937. Conforms to City of Chicago Environmental Air CCEA-200 with Section 18-27-300.22 and special requirements Section 14-20-210C-4. Assembled in USA

Caution

LITON recommends use of surge protectors on the power entering LED Housings. Surge damage is not covered by warranty. (+1KV). Fixtures must be grounded in accordance with national, state and/or local electrical codes. Failure to do so may result in serious personal injury.

Warranty

Covered by a 5-Year Warranty to be free of defects in materials and craftsmanship. Recommended for applications where ambient temperatures do not exceed 35°C, installations exceeding this temperature will result in reduced LED lamp life and a voided warranty.

Energy Star Qualified Items

/CR4L17_-T30

/CR4L17_-T35

/CR4L17_-T40

SPECIFICATION (Continued)

Emergency Options

When AC power fails, provides 90 minutes of power to the luminaire. In the event of a power failure, the LED Emergency backup switches to the emergency mode and operates the existing fixture for 90 minutes.

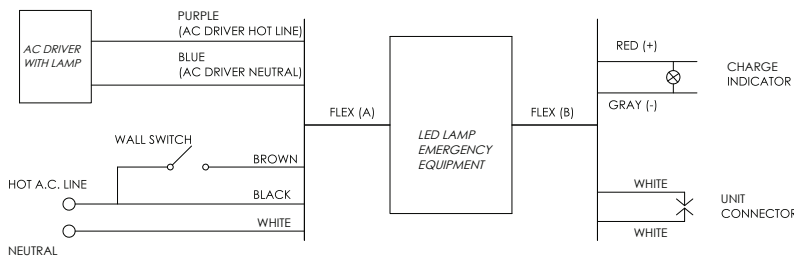
Remote Emergency Back Up (-EMAC):

For installation away from the surface of the building in remote hidden location.

- Hidden Emergency Equipment
- Must be installed in Dry Locations

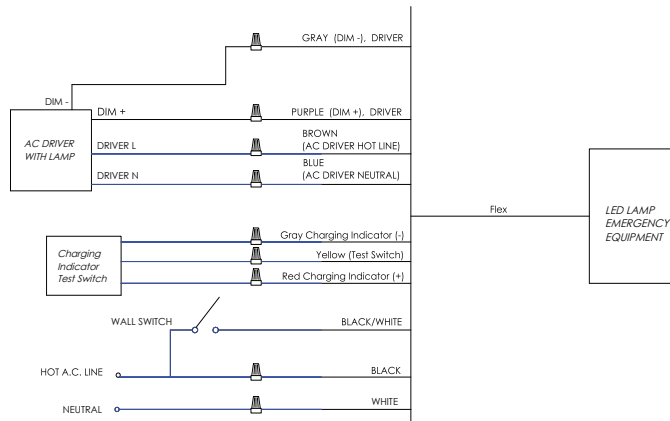
Not rated for outdoor mounting. Damp location rated.

<25W LOAD



| | |
|----------------------|-------------------------------|
| Input Voltage: | 120-277VAC/60Hz |
| Output Voltage: | 170VDC (120VAC Equivalent) |
| Wattage: | 25W |
| Switching Time: | <1s |
| Charging Time: | 24h |
| Operating Time: | 90 minutes |
| Minimum Temperature: | 0°C |
| Maximum Temperature: | 50°C |
| Maximum Lumens: | 2200lm |

<40W LOAD



| | |
|----------------------|-------------------------------|
| Input Voltage: | 120-277VAC/60Hz |
| Output Voltage: | 170VDC (120VAC Equivalent) |
| Wattage: | 40W |
| Switching Time: | <1s |
| Charging Time: | 24h |
| Operating Time: | 90 minutes |
| Minimum Temperature: | 0°C |
| Maximum Temperature: | 50°C |
| Maximum Lumens: | 3500lm |

>40W LOAD

