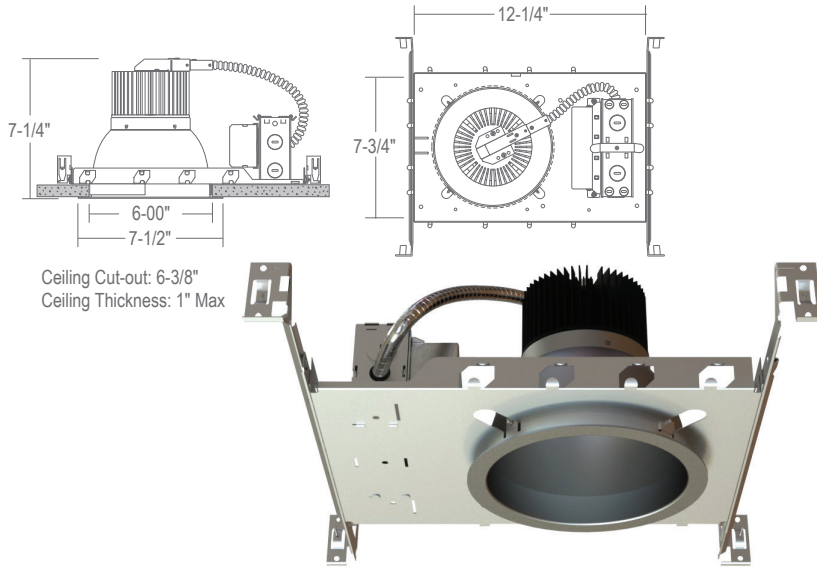
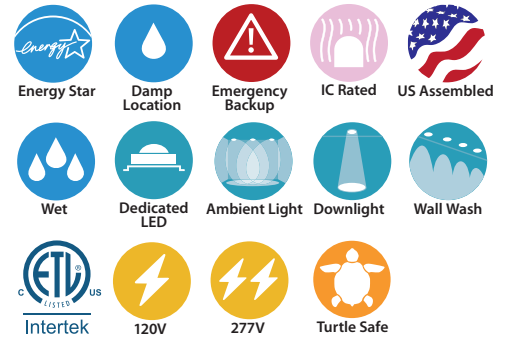


CH6 : 6" C-SERIES

LED DOWNLIGHT NEW CONSTRUCTION 300LM - 500LM (10W-22W)
 AMBER (TURTLE SAFE)



Ceiling Cut-out: 6-3/8"
 Ceiling Thickness: 1" Max



- 590nm AMBER Turtle Safe
- Heavy-duty self-flanged reflector
- Soft even lumen distribution
- No visible screws or hardware

ORDERING : CH610UE-DUN/CR6L22BBF-TAM

CH6xx

Housing	Insulation Contact	Control	Emergency Options	Reflector LED	Reflector Option	Color Temperature	Options
300lm (10W) CH610 [Options]				All Black	None	590nm Amber	None
400lm (15W) CH618 [Options]				/CR6L22BBF	Integral EM Switch	-TAM	Blank
500lm (22W) CH628 [Options]							4.5" Ceiling Thickness -CT4

Options

Insulation Contact		Control		Emergency Options	
Non-IC	Blank	Non-Dimming (120V)	Blank	None	Blank
IC Rated/Airtight	ICA³	UniDim™ 0-10V, TRIAC/ELV Dimming (120V/277V)	UE-DUN	10W Emergency Battery	-EM
		TRIAC/ELV Dimming (120V)	-DIN	Full Power Emergency Inverter	-EMAC²
		DMX Dimming with input via XLR5 (120V/277V)	UE-DMXLR5	Full Power Emergency Inverter (347V)	-EMAC347²
		DMX Dimming with input via RJ45 (120V/277V)	UE-DMXRJ45	GTD Device	-GTD

¹ Only available for EM Housings.

² Check wiring diagram.

³ ICA is only available for CH610 and CH618. (CH628 are Non-IC rated.)

COMPATABILITY



SPECIFICATION

Application

Commercial-grade recessed lensed LED downlight housing for medium to high ceilings in commercial and architectural spaces.

Mounting

Housing suitable for new construction installations only, supplied with (2) 24" adjustable hanger bars with 90° repositioning ability. Suitable for wood & metal joist support systems, and also drywall & T-bar ceilings. Hanger bars equipped with nail-less install 3/4" serrated barbed studs and captive nails, for faster and easier secure mounting in wood joists. Set-screws lock into position and prevent shifting after installation. Earthquake structural cable compatible for drop panel ceiling or any other mounting that requires direct support from structural ceilings

Driver

120V/277V AC 50/60Hz Electronic Direct Current Class 2 driver integrally mounted on large access Junction Box. Power Factor >0.90. Operating Temperature: -20°C to +50°C / -4°F to +131°F. Accessible from above or below ceiling.

Control

Standard 0-10V dimming works with most 5-Wire 0-10V dimmers. Factory qualified for use with Leviton IP710-DLX and Lutron NTFTV-WH.

Emergency Options

Emergency LED Battery Back-up available, remotely mounted adjacent to housing by installer. When AC power fails, the device immediately switches to the emergency mode, operating the LEDs for a minimum of 90 minutes. Remote test switch and plate cover included. Optional Generator Transfer Device switches the driver to auxiliary generator power during the loss of normal AC power, (recommended for applications requiring individual circuit switching).

Color Temperature

LED color is verified as 585nm minimum and 595nm maximum.

Junction Box

16 gauge pre-wired galvanized steel double Junction Box, 64 cubic-inch for a maximum of (8) #12 AWG wires. Furnished with (10) 3/4", (2) 1" and (8) Romex knockouts. Strain clamps to install or remove covers for easy access and ground wire. Equipped with safety standard die-cast aluminum fitting for flex-conduit.

Insulation Contact

Non-IC rated housing must be kept 3" from insulation. IC rated option (ICA) available.

Caution

LITON recommends use of surge protectors on the power entering LED Housings. Surge damage is not covered by warranty. (+1KV).

Power Connection

LED lamp array is replaceable via on board quick disconnect terminal. Meets CA Title 24 Requirements and other standards restricting the use of Medium Base or Bi-Pin Sockets.

Thermal Management

Heat dissipation facilitated by exposed integral aluminum heat sink to maximize heat rejection in an open air environment. Recommended ambient temperature is below 35 degree celsius to achieve minimum L70 life of 50,000 hours according to LM80 standard.

Reflector

Field adjustable Twist and Lock reflector is easily removable to provide quick access to LED lamp array. Frosted Polycarbonate Lens pre-installed on reflector unifies diode sources and protects diodes from dust and particles from front of aperture.

Reflector Finish

1 piece, self-flanged, dual reflector LED design enables a clean trim finish without secondary trim ring. Heavy gauge aluminum reflector prevents ugly dents during shipping & installation. Deeply mounted singular LED provides 50 degree visual cutoff. Available in All Black.

Airflow

IC-Rated/Airtight (ICA) reflector design is designed to restrict air flow from room into plenums in compliance to the WSEC - Washington State Energy Code, (Less than 2.0 CFM -Cubic Feet per Minute).

Certifications and Listings

ETL/cETL listed to UL1598 and UL8750. Suitable for dry, damp and wet locations. NYC approved: Calendar #41937.

Caution

Fixtures must be grounded in accordance with national, state and/or local electrical codes. Failure to do so may result in serious personal injury.

Warranty

Covered by a 5 Year Warranty to be free of defects in materials and craftsmanship. Recommended for applications where ambient temperatures do not exceed 35°C, installations exceeding this temperature will result in reduced LED lamp life and a voided warranty.

Ready2Ship Items

CH618UE-D10/CR6L22SW-T27
CH618UE-D10/CR6L22SW-T30
CH618UE-D10/CR6L22SW-T35
CH618UE-D10/CR6L22SW-T40

Energy Star Qualified Items

CR6L22SW-T30
CR6L22SW-T35
CR6L22SW-T40

SPECIFICATION

EMERGENCY BATTERY (-EM): 10W

- Must be installed in Dry Locations
- 10W constant output to LED lamp

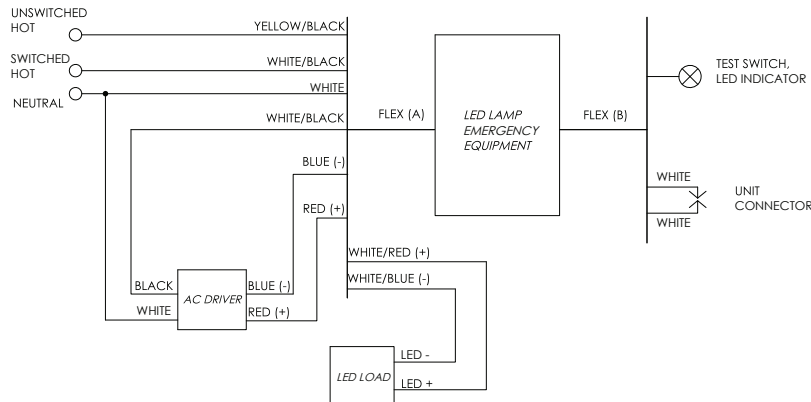
Not rated for outdoor mounting. Damp location rated.

-EM Lumen Data (Battery)

Fixture/Trim	CH610
Fixture Wattage:	10W
Fixture Lumens:	300
Multiplier:	1
EM Lumens:	300

Fixture/Trim	CH618
Fixture Wattage:	15W
Fixture Lumens:	400
Multiplier:	0.67
EM Lumens:	270

Fixture/Trim	CH628
Fixture Wattage:	22W
Fixture Lumens:	500
Multiplier:	0.45
EM Lumens:	230



Input Voltage:	120-277VAC/60Hz
Output Voltage:	10V
Wattage:	10W
Switching Time:	<1s
Charging Time:	24h
Operating Time:	90 minutes
Minimum Temperature:	0°C
Maximum Temperature:	50°C
Self-Diagnostic:	No

SPECIFICATION

FULL POWER EMERGENCY INVERTER (-EMAC or -EMAC347): 10W - 22W

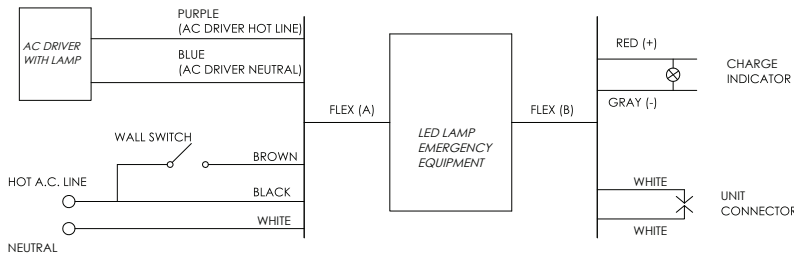
- Must be installed in Dry Locations
- Wattage package will determine battery sent; corresponding wiring diagrams below
- 170 VDC output to AC DRIVER during EM mode

Not rated for outdoor mounting. Damp location rated.

-EMAC Lumen Data (Battery)

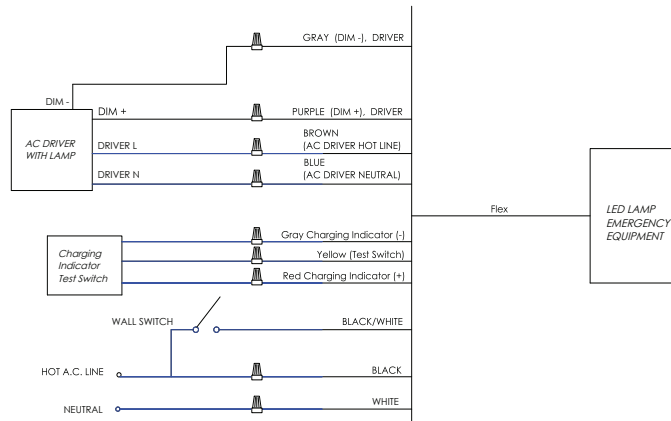
Fixture/Trim	CH610	Fixture/Trim	CH618	Fixture/Trim	CH628
Fixture Wattage:	10W	Fixture Wattage:	15W	Fixture Wattage:	22W
Fixture Lumens:	300	Fixture Lumens:	400	Fixture Lumens:	500
EM Lumens:	300	EM Lumens:	400	EM Lumens:	500

<25W LOAD



Input Voltage:	120-277VAC/60Hz
Output Voltage:	170VDC (120VAC Equivalent)
Wattage:	25W
Switching Time:	<1s
Charging Time:	24h
Operating Time:	90 minutes
Minimum Temperature:	0°C
Maximum Temperature:	50°C
Self-Diagnostic:	No

<40W LOAD



Input Voltage:	120-277VAC or 347VAC/60Hz
Output Voltage:	170VDC (120VAC Equivalent)
Wattage:	28W
Switching Time:	<1s
Charging Time:	24h
Operating Time:	90 minutes
Minimum Temperature:	0°C
Maximum Temperature:	50°C
Self-Diagnostic:	Yes