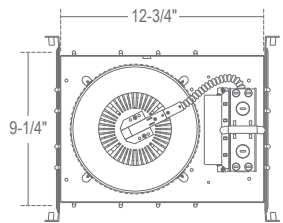
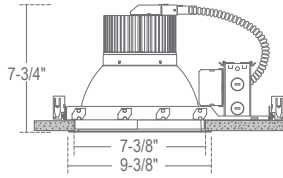
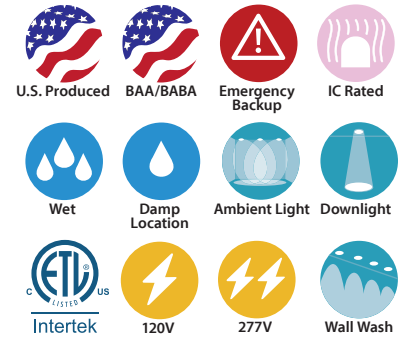


CH8-USA : 8" C-SERIES

LED DOWNLIGHT NEW CONSTRUCTION 1600LM - 2600LM (10W-30W)



Ceiling Cut-out: 7-15/16"
 Ceiling Thickness: 1" Max



- **Produced in USA**
- 10W Emergency Battery Option
- Twist and lock reflector for quick access to LED lamp array
- Heavy-duty self-flanged reflector
- Soft even lumen distribution
- No visible screws or hardware

ORDERING : CH8-USA08ICAUE-D10-EM-CHP-BWNG/CR8L22SW-EMA-T30

CH8-USAxx

Housing	Insulation Contact	Control	Emergency Options	J-Box	Mounting	Reflector	Reflector Finish	Reflector Options	CCT	Options
Housing ¹						Reflector ¹	Reflector Finish	Reflector Options	CCT	Options
1600lm (10W) CH8-USA08 [Options]						/CR8L22	Satin Haze Reflector/ White Finish	SW None	2700K (84 CRI) -T27	None Blank
1900lm (15W) CH8-USA10 [Options]						/CR8L22	White Reflector/ White Finish	WW Integral EM Switch	3000K (84 CRI) -T30	4.5" Ceiling Thickness -CT4
2300lm (20W) CH8-USA18 [Options]						/CR8L22	White Reflector/ White Finish		3500K (84 CRI) -T35	
2600lm (30W) CH8-USA28 [Options]						/CR8L22	All Black	BB	4000K (84 CRI) -T40	
							Clear Specular Reflector/White Finish	CW	5000K (84 CRI) -T50	
							All Satin Haze	SS		

Options

Insulation Contact	Control	Emergency Options	J-Box	Mounting
Non-IC Blank ICA Rated ICA⁴	Non-Dimming (120V) Blank TRIAC/ELV Dimming (120V) -DIN 0-10V Dimming (120V/277V) UE-D10	None Blank 10W Emergency Battery -EM	None Blank Junction Box (Chicago Plenum) -CHP	24" Adjustable Blank Architectural C-Channel -BWNG³

¹ Housing must match corresponding Reflector in column to right.
² Only available for EM Housings.
³ (-BWNG) option does **NOT** include Hanger Bars. Hanger Bars ordered separately.
⁴ (ICA) is only available for CH8-USA08, CH8-USA10 and CH8-USA18. (CH8-USA28 are Non-IC Rated.)

COMPATABILITY

VR800
 Outdoor Vandal Resistant Ceiling/Wall Kit



P-CR872SW
 Wall Wash for 8"



2026.02.04

SPECIFICATION

Application

Architectural/Commercial-grade recessed lensed LED downlight housing for medium to high ceilings in commercial and architectural spaces.

Mounting

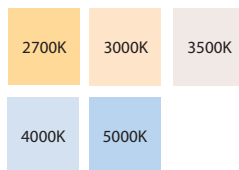
Housing suitable for new construction installations only, supplied with (2) 24" adjustable hanger bars with 90° repositioning ability. Suitable for wood & metal joist support systems, and also drywall & T-bar ceilings. Hanger bars equipped with nail-less install 3/4" serrated barbed studs and captive nails, for faster and easier secure mounting in wood joists. Set-screws lock into position and prevent shifting after installation. Earthquake structural cable compatible for drop panel ceiling or any other mounting that requires direct support from structural ceilings. Optional galvanized aluminum Architectural C-Channel Batwing also available. (C260) & (C260J) hanger bars are **NOT included** with (-BWNG) option, and must be ordered separately. Free of burrs and sharp corners and edges.

Control

(UE-D10) 0-10V dimming works with most 5-wire, 0-10V dimmers. Factory qualified for use with Leviton IP710-DLZ.

Power Factor shall be >90% at full load with THD <20% at full load. Electrical Output shall be isolated.

Color Temperature



Available in 2700K, 3000K, 3500K, 4000K and 5000K.

Insulation Contact

(CH8-USA08), (CH8-USA10) and (CH8-USA18) are inherently thermally protected for direct insulation contact without the need for an enclosure. (CH8-USA28) are Non-IC rated housing and must be kept 3" from loose-fill insulation.

Power Connection

LED lamp array is replaceable via on board quick disconnect terminal. Meets CA Title 24 Requirements and other standards restricting the use of Medium Base or Bi-Pin Sockets.

Thermal Management

Heat dissipation facilitated by a large exposed integral aluminum heat sink to maximize heat dissipation in an open-air environment. IC Option thermally engineered to ensure stated L70 LED life without the need for external box. The recommended ambient temperature should be below 35°C (95°F) to achieve a minimum L70 life of 50,000 hours according to the LM80 standard.

SPECIFICATION (Continued)**Reflector**

Field adjustable twist and lock reflector is easily removable for both Non-IC and IC rated housings to provide quick access to LED lamp array. Frosted polycarbonate lens pre-installed on reflector unifies diode sources and protects diodes from dust and particles from front of aperture. Optional reflector (-EMA) features integral EM switch for 10W emergency backup (-EM).

Reflector Finish

1-piece, self-flanged, dual reflector LED design provides a clean trim finish without secondary trim ring. Heavy gauge aluminum reflector prevents ugly dents during shipping & installation. Deeply mounted singular LED provides 50° visual cutoff.

Available in Satin Haze Reflector/White Finish, White Reflector/White Finish, All Black, Clear Specular Reflector White Finish, and All Satin Haze.

Junction Box

16-gauge pre-wired galvanized steel Junction Box, 26 cubic-inch for a maximum of (8) #12 AWG wires. Furnished with (7) 1/2" knockouts. Strain clamps to install or remove covers for easy access and ground wire. (-CHP) option is Chicago Plenum, air-tight Junction Box.

Airflow

IC-Rated/Airtight (ICA) reflector design is designed to restrict air flow from room into plenums in compliance to the WSEC - Washington State Energy Code, (Less than 2.0 CFM -Cubic Feet per Minute).

Certifications and Listings

cETLus listed. Suitable for dry, damp, and wet locations. NYC approved. Calendar #41937. Conforms to City of Chicago Environmental Air CCEA-200 with Section 18-27-300.22 and special requirements Section 14-20-210C-4. Meets NFPA 70/NEC Code on Listings.

Caution

LITON recommends use of surge protectors on the power entering LED Housings. Surge damage is not covered by warranty. (+1KV). Fixtures must be grounded in accordance with national, state and/or local electrical codes. Failure to do so may result in serious personal injury.

Warranty

Covered by a 5-Year Warranty to be free of defects in materials and craftsmanship. Recommended for applications where ambient temperatures do not exceed 35°C (95°F), installations exceeding this temperature will result in reduced LED lamp life and a voided warranty.

SPECIFICATION (Continued)

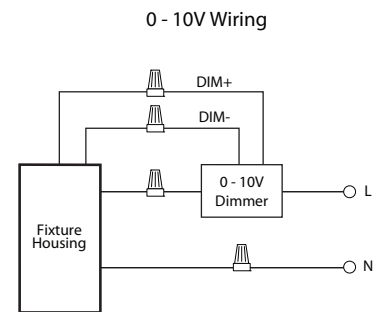
Emergency Options

Emergency LED Battery Back-up available, remotely mounted adjacent to housing by installer. When AC power fails, in the event of a power failure, the device immediately switches to the emergency mode, and operates the existing fixture for 90 minutes. Remote test switch and plate cover included. Optional Generator Transfer Device switches the driver to auxiliary generator power during the loss of normal AC power, (recommended for applications requiring individual circuit switching).

Control Options

0-10V Driver 120V/277V (UE-D10):

Compatible with most existing 0-10V systems. Also known as fluorescent or 5-Wire dimming. Allows smooth dimming down to 5% depending upon the dimmer's limitations. Compatible with daylight harvesting controls.



SPECIFICATION (Continued)

EMERGENCY BATTERY (-EM): 10W

- Must be installed in Dry Locations
- 10W constant output to LED lamp

Not rated for outdoor mounting. Damp location rated.

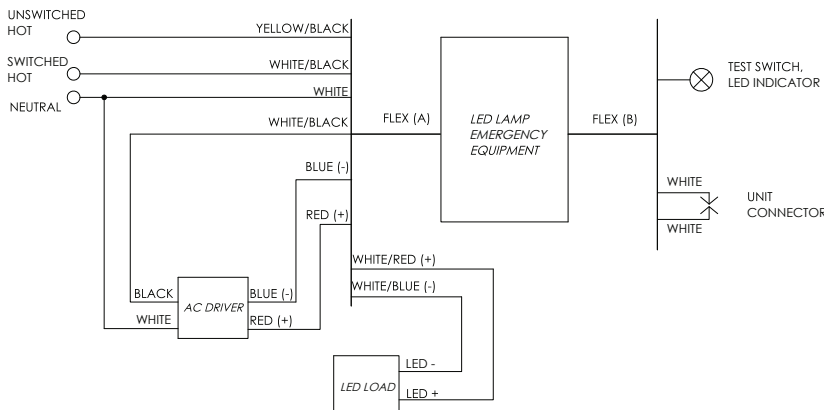
-EM Lumen Data (Battery)

Fixture/Trim	CH8-USA08
Fixture Wattage:	10W
Fixture Lumens:	1600
Multiplier:	1
EM Lumens:	1600

Fixture/Trim	CH8-USA28
Fixture Wattage:	30W
Fixture Lumens:	2600
Multiplier:	0.33
EM Lumens:	860

Fixture/Trim	CH8-USA10
Fixture Wattage:	15W
Fixture Lumens:	1900
Multiplier:	0.67
EM Lumens:	1270

Fixture/Trim	CH8-USA18
Fixture Wattage:	20W
Fixture Lumens:	2300
Multiplier:	0.50
EM Lumens:	1150



Input Voltage:	120-277VAC/60Hz
Output Voltage:	10V
Wattage:	10W
Switching Time:	<1s
Charging Time:	24h
Operating Time:	90 minutes
Minimum Temperature:	0°C
Maximum Temperature:	50°C
Self-Diagnostic:	No