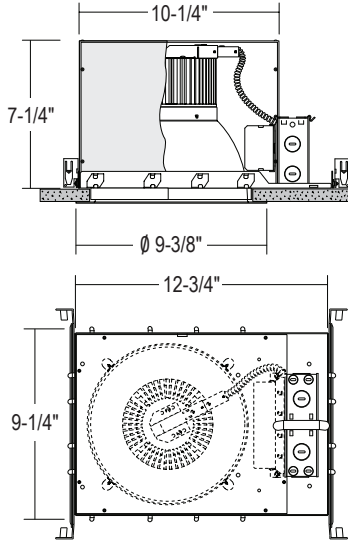


## CH8CIC : 8" C-SERIES

TYPE IC SERIES (COB) CHIP ON BOARD BEAM CONTROL LED  
 NEW CONSTRUCTION 1000LM - 2600LM (10W-30W)



Ceiling Cut-Out: 7-15/16"  
 Ceiling Thickness: 1" Max



- IC rated housing
- Assorted dimming options.
- COB LED design allows for concentrated high CBCP beam
- Multiple Beam Spreads for flexible beam control
- Quick connector power adapter and twist-and-lock reflector for quick access and easy maintenance

### ORDERING : CH8CIC10UE-D10-EM/CR8LC40SW-B30-T27

#### CH8CIC

Housing	Control	Emergency Options	J-Box	Reflector Finish	Beam Spread	CCT	Options
Housing	Control <sup>1</sup>	Emergency Options		Reflector Finish	Beam Spread	CCT	Options
1000lm (10W)	<b>CH8CIC10</b>	0-10V Dimming	<b>UE-D10</b>	None	None	<b>Blank</b>	Satin Haze Reflector/ <b>/CR8LC40SW</b>
1500lm (15W)	<b>CH8CIC15</b>	UniDim™ 0-10V, TRIAC/ELV Dimming	<b>UE-DUN</b>	10W Emergency Battery	Full Power	<b>-EM</b>	White Finish
2000lm (20W)	<b>CH8CIC20</b>	TRIAC/ELV Dimming (120V)	<b>-DIN</b>	Emergency Inverter	Emergency Inverter	<b>-EMAC<sup>5</sup></b>	White Reflector/ <b>/CR8LC40WW</b>
2600lm (30W)	<b>CH8CIC30</b>	Lutron Hi-Lume	<b>UE-DHL</b>	Full Power	Emergency Inverter (347V)	<b>-EMAC347<sup>5</sup></b>	All Black <b>/CR8LC40BB</b>
		Lutron EcoSystem	<b>UE-ECO</b>	Emergency Inverter (347V)	GTD Device	<b>-GTD</b>	Clear Specular Reflector/White Finish <b>/CR8LC40CW<sup>3</sup></b>
		0-10V Dimming (347V)	<b>-347-D10<sup>2</sup></b>				All Satin Haze <b>/CR8LC40SS</b>
		1%, 0-10V Dimming	<b>UE-D10P1</b>	J-Box	None	<b>Blank</b>	Beam Spread
		DMX Dimming with input via XLR5 (120V/277V)	<b>UE-DMXLR5</b>	None	Junction Box (Chicago Plenum)	<b>-CHP</b>	20° Spot <b>-B20</b>
		DMX Dimming with input via RJ45 (120V/277V)	<b>UE-DMXRJ45</b>				30° Narrow Flood <b>-B30</b>
		Athena Wireless Node (120V)	<b>-AWN</b>				40° Flood <b>-B40</b>
		Athena Wireless Node	<b>-AWN-OCC</b>				60° Wide Flood <b>-B60</b>
		Occupancy Sensor (120V)					75° Very Wide Flood <b>-B75</b>
		UniSense - Remotely Mounted Motion/Photosensor (120V)	<b>-SUN-RMT<sup>7</sup></b>				CCT
		UniSense - Remotely Mounted Motion/Photosensor	<b>-SUN-RMT-1227<sup>7</sup></b>				2700K (90 CRI) <b>-T27</b>
		Casambi Wireless Dimming	<b>-DCSM<sup>6</sup></b>				2700K (97 CRI) <b>-T27-C97</b>
		BubblyNet Wireless System	<b>-DBNT<sup>6</sup></b>				3000K (90 CRI) <b>-T30</b>
		Lutron Vive Wireless Dimming Module	<b>-VIVE<sup>6</sup></b>				3000K (97 CRI) <b>-T30-C97</b>
							3500K (90 CRI) <b>-T35</b>
							4000K (90 CRI) <b>-T40</b>
							5000K (80 CRI) <b>-T50</b>
							Options
							None <b>Blank</b>
							4.5" Ceiling Thickness <b>-CT4</b>

<sup>1</sup> All drivers are 120V/277V unless otherwise noted.

<sup>2</sup> -347-D10 is not available for CH8CIC10.

<sup>3</sup> Clear finish reflector not recommended for placing close to vertical surfaces. Uneven striations may be visible.

<sup>5</sup> Check wiring diagrams.

<sup>6</sup> Special Order.

<sup>7</sup> (-SUN-RMT) Sensor sent with mounting clips for existing ceiling applications.

### COMPATABILITY



**VR800**  
 Outdoor Vandal Resistant  
 Ceiling/Wall Kit



**P-CR872SW**  
 Wall Wash for 8"

### SPECIFICATION

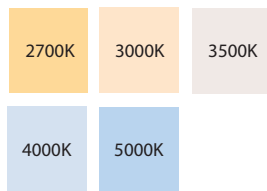
#### Application

Architectural/Commercial-grade recessed (COB) Chip on Board Beam Control LED allows for concentrated high center beam candlepower. Twist and lock beam control optic is designed for easy field replacement of 20°, 30°, 40°, 60° and 75° beam spread options.

#### Mounting

Housing suitable for new construction installations only, supplied with (2) 24" adjustable hanger bars with 90° repositioning ability. Suitable for wood & metal joist support systems, and also drywall & T-bar ceilings. Hanger bars equipped with nail-less install 3/4" serrated barbed studs and captive nails, for faster and easier secure mounting in wood joists. Set-screws lock into position and prevent shifting after installation. Earthquake structural cable compatible for drop panel ceiling or any other mounting that requires direct support from structural ceilings.

#### Color Temperature (CCT)



Available in 2700K, 3000K, 3500K, 4000K, 90 CRI; 5000K 80 CRI; 2700K and 3000K, 97 CRI.

COLOR TEMP:	2700K	3000K	3500K	4000K	5000K
CRI:	90, 97	90, 97	90	90	80

#### Insulation Contact

(CH8CIC10), (CH8CIC15), and (CH8CIC20) are inherently thermally protected for direct insulation contact without the need for an enclosure. (CH8CIC30) are Non-IC rated housing and must be kept 3" from loose-fill insulation.

#### Power Connection

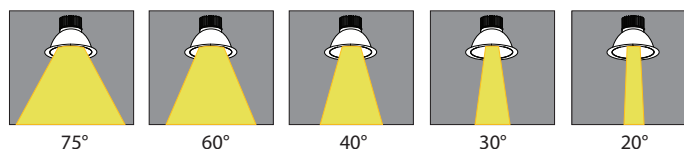
Our LED lamp array is replaceable via our on board quick disconnect terminal. Meets CA Title 24 Requirements and other standards restricting the use of Medium Base or Bi-Pin Sockets.

#### Thermal Management

Heat dissipation facilitated by a large exposed integral aluminum heat sink to maximize heat dissipation in an open-air environment. IC Option thermally engineered to ensure stated L70 LED life without the need for external box. The recommended ambient temperature should be below 35°C (95°F) to achieve a minimum L70 life of 50,000 hours according to the LM80 standard.

#### Optics

Multifaceted aluminum reflectors produces low glare illumination with multiple light control options.



### SPECIFICATION (Continued)

#### Reflector

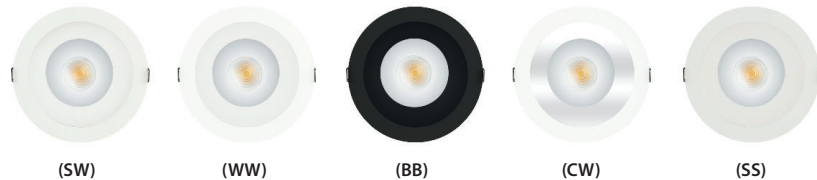
---

Field adjustable twist and lock reflector is easily removable to provide quick access to LED lamp array. Frosted polycarbonate lens pre-installed on reflector unifies diode sources and protects diodes from dust and particles from front of aperture. Optional reflector (-EMA) features integral EM switch for 10W emergency backup (UE-D10-EM).

#### Reflector Finish

---

The 1-piece, self-flanged, LED design provides a clean trim finish without a secondary trim ring. Heavy gauge aluminum reflector prevents ugly dents during shipping & installation. Deeply mounted singular LED provides 50° visual cutoff. Available in Satin Haze Reflector/White Finish, White Reflector/White Finish, White Reflector/White Finish, All Black, Clear Specular Reflector/White Finish, and All Satin Haze.



#### Junction Box

---

16-gauge pre-wired galvanized steel Junction Box, 26 cubic-inch for a maximum of (8) #12 AWG wires. Furnished with (7) 1/2" knockouts. Strain clamps are included to install or remove covers for an easily accessed ground wire. (-CHP) option is Chicago Plenum, air-tight Junction Box.

#### Certifications and Listings

---



cETLus listed to UL1598 and UL8750. Suitable for dry locations.  
NYC approved: Calendar #41937.

#### Caution

---

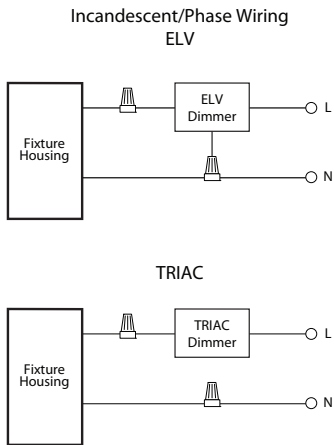
LITON recommends use of surge protectors on the power entering LED Housings. Surge damage is not covered by warranty. (+1KV). Fixtures must be grounded in accordance with national, state and/or local electrical codes. Failure to do so may result in serious personal injury.

## SPECIFICATION (Continued)

### Control Options

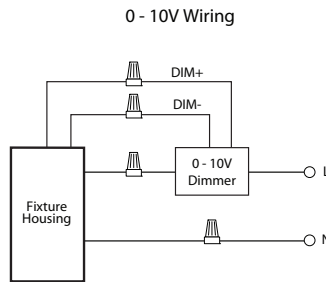
#### ELV and TRIAC Driver 120V (-DIN):

Compatible with electronic low voltage, and 2-Wire incandescent dimmers. Also known as leading edge, Reverse Phase, Forward Phase dimming. Allows smooth dimming down to 5% depending upon the dimmer's limitations.



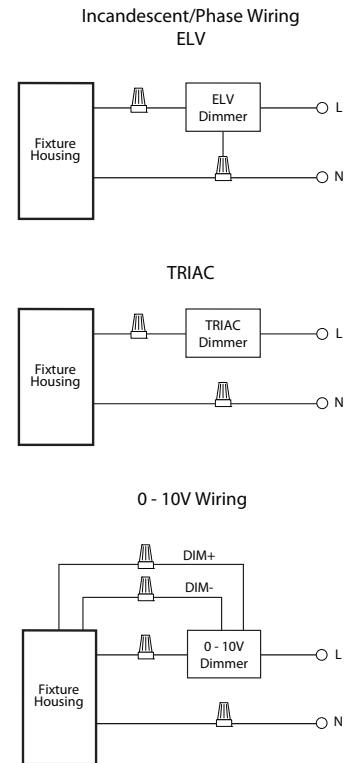
#### 0-10V Driver 120V/277V (UE-D10):

Compatible with most existing 0-10V systems. Also known as fluorescent or 5-Wire dimming. Allows smooth dimming down to 5% depending upon the dimmer's limitations. Compatible with daylight harvesting controls.



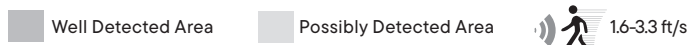
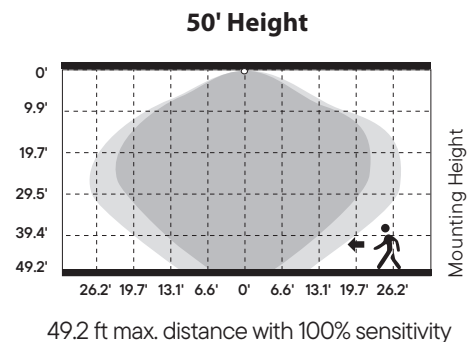
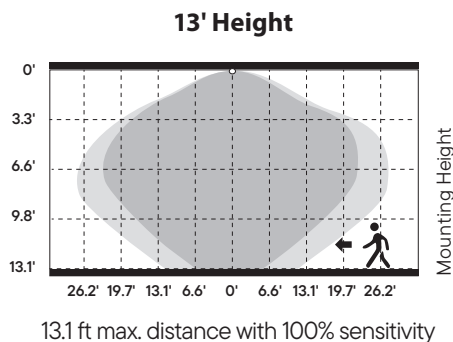
#### UniDim™ Driver 120V/277V (UE-DUN):

All in one ELV and TRIAC phase dimming (120V only), and 0-10V dimming (120V/277V). Works with most 3-Wire ELV, 2-Wire incandescent and 120V/277V 5-Wire 0-10V fluorescent dimmers.



## Unisense™ PROGRAMMABLE MOTION + DAYLIGHT (-SUN-RMT, -SUN-RMT-1227)

- Microwave and PIR (Passive Infrared) sensors depending on option
- Daylight harvesting
- Dusk/dawn sensing capabilities
- Motion Sensor



## SPECIFICATION (Continued)

### Warranty

Covered by a 5-Year Warranty to be free of defects in materials and craftsmanship. Recommended for applications where ambient temperatures do not exceed 35°C (95°F), installations exceeding this temperature will result in reduced LED lamp life and a voided warranty.

### Emergency Options

Emergency LED Battery Back-up available, remotely mounted adjacently by the installer. When AC power fails, the device immediately switches to the emergency mode, operating the LEDs for a minimum of 90 minutes. Remote test switch and plate cover included. Optional Generator Transfer Device switches the driver to auxiliary generator power during the loss of normal AC power, (recommended for applications requiring individual circuit switching).

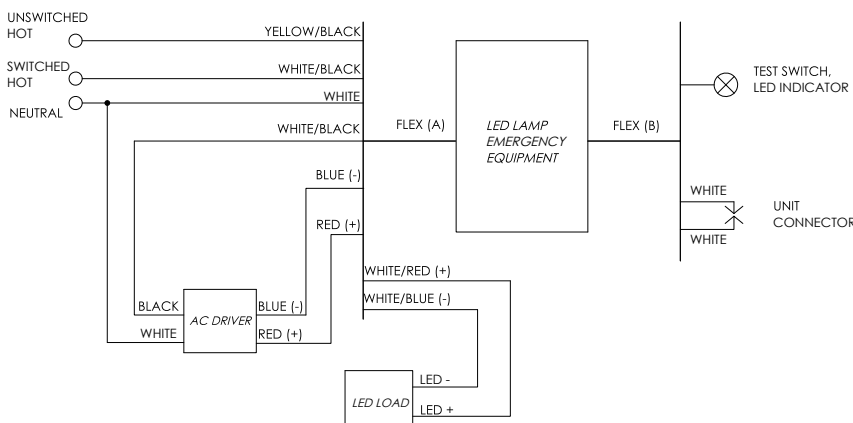
### EMERGENCY BATTERY (-EM): 10W

- Must be installed in Dry Locations
- 10W constant output to LED lamp

**Not rated for outdoor mounting. Damp location rated.**

#### -EM Lumen Data (Battery)

Fixture/Trim	CH8CIC10/CR8LC40	Fixture/Trim	CH8CIC15/CR8LC40	Fixture/Trim	CH8CIC20/CR8LC40
Fixture Wattage:	10W	Fixture Wattage:	15W	Fixture Wattage:	20W
Fixture Lumens:	1000	Fixture Lumens:	1500	Fixture Lumens:	2000
Multiplier:	1	Multiplier:	0.67	Multiplier:	0.5
EM Lumens:	1000	EM Lumens:	1000	EM Lumens:	1000
Fixture/Trim	CH8CIC30/CR8LC40				
Fixture Wattage:	30W				
Fixture Lumens:	2600				
Multiplier:	0.33				
EM Lumens:	860				



Input Voltage:	120-277VAC/60Hz
Output Voltage:	10W
Wattage:	10W
Switching Time:	<1s
Charging Time:	24h
Operating Time:	90 minutes
Minimum Temperature:	0°C
Maximum Temperature:	50°C
Self-Diagnostic:	No

## SPECIFICATION (Continued)

### FULL POWER EMERGENCY INVERTER (-EMAC or -EMAC347): 10W - 30W

- Must be installed in Dry Locations
- Wattage package will determine if 10W - 30W battery gets sent; corresponding wiring diagrams below
- 170 VDC output to AC DRIVER during EM mode

**Not rated for outdoor mounting. Damp location rated.**

#### -EMAC Lumen Data (Battery)

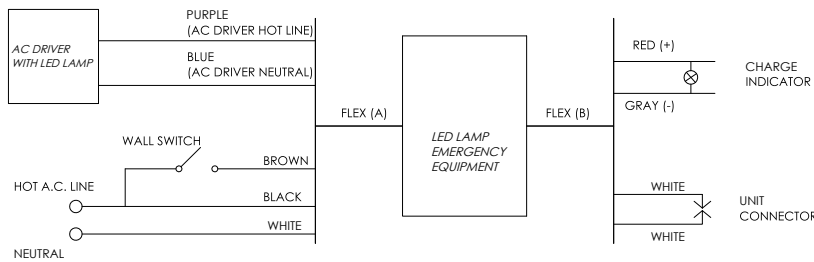
Fixture/Trim	CH8CIC10/CR8LC40
Fixture Wattage:	10W
Fixture Lumens:	1000
EM Lumens:	1000

Fixture/Trim	CH8CIC15/CR8LC40
Fixture Wattage:	15W
Fixture Lumens:	1500
EM Lumens:	1500

Fixture/Trim	CH8CIC20/CR8LC40
Fixture Wattage:	20W
Fixture Lumens:	2000
EM Lumens:	2000

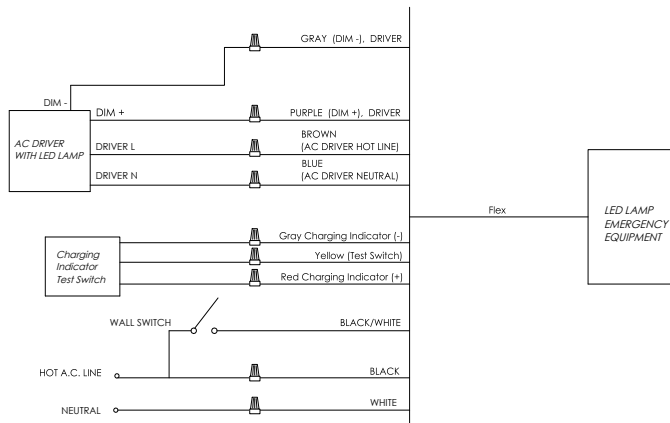
Fixture/Trim	CH8CIC30/CR8LC40
Fixture Wattage:	30W
Fixture Lumens:	2600
EM Lumens:	2600

#### <25W LOAD



Input Voltage:	120-277VAC/60Hz
Output Voltage:	170VDC (120VAC Equivalent)
Wattage:	25W
Switching Time:	<1s
Charging Time:	24h
Operating Time:	90 minutes
Minimum Temperature:	0°C
Maximum Temperature:	50°C
Self-Diagnostic:	No

#### <40W LOAD



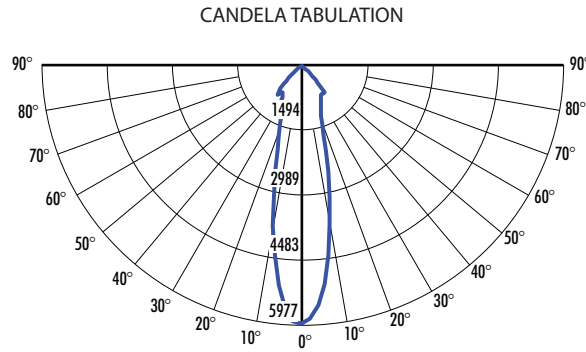
Input Voltage:	120-277VAC or 347VAC/60Hz
Output Voltage:	170VDC (120VAC Equivalent)
Wattage:	30W
Switching Time:	<1s
Charging Time:	24h
Operating Time:	90 minutes
Minimum Temperature:	0°C
Maximum Temperature:	50°C
Self-Diagnostic:	Yes

## PHOTOMETRY

### CH8CIC30UE-D10\_CR8LC40CW-B20-T35 (2600lm, 30W, 20° Spot, 3500K)

System Power: 27.8W  
Test Date: 10/2023  
Beam Angle 50%: 24.9°  
Field Angle 10%: 87.5°  
Color Temperature: 3399K  
CRI: 94.2  
Lumens Delivered: 2606  
CBCP: 5977.3  
Power Factor: 0.99

MULTIPLIERS	
REFLECTOR FINISH	
CW:	1.01
SS:	0.99
<b>SW:</b>	<b>1.00</b>
WW:	0.968
CCT	
2700K:	0.91
3000K:	0.97
<b>3500K:</b>	<b>1.00</b>
4000K:	1.04
Lumens	
1000lm:	0.38
1500lm:	0.52
2000lm:	0.75
<b>2600lm:</b>	<b>1.00</b>



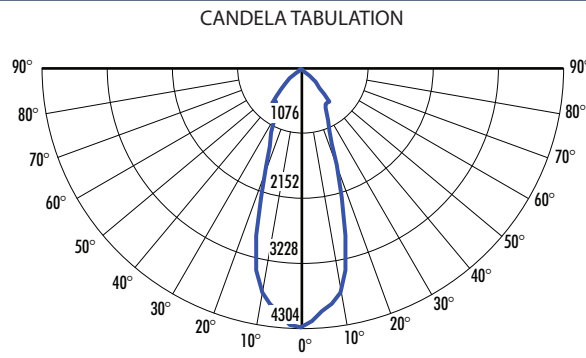
#### FOOTCANDLE DISTRIBUTION

Height	Beam Diameter	FC
12.0'	5.30'	41.51
14.0'	6.18'	30.50
16.0'	7.06'	23.35
18.0'	7.95'	18.45
20.0'	8.83'	14.94

### CH8CIC30UE-D10\_CR8LC40CW-B30-T35 (2600lm, 30W, 30° Narrow Flood, 3500K)

System Power: 27.8W  
Test Date: 10/2023  
Beam Angle 50%: 36.0°  
Field Angle 10%: 91.9°  
Color Temperature: 3378K  
CRI: 94.3  
Lumens Delivered: 2621  
CBCP: 4303.7  
Power Factor: 0.99

MULTIPLIERS	
REFLECTOR FINISH	
CW:	1.01
SS:	0.99
<b>SW:</b>	<b>1.00</b>
WW:	0.968
CCT	
2700K:	0.91
3000K:	0.97
<b>3500K:</b>	<b>1.00</b>
4000K:	1.04
Lumens	
1000lm:	0.38
1500lm:	0.52
2000lm:	0.75
<b>2600lm:</b>	<b>1.00</b>



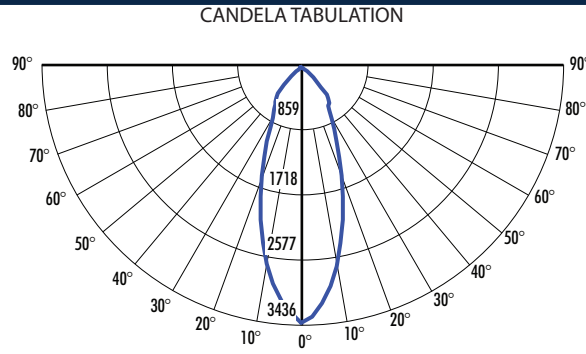
#### FOOTCANDLE DISTRIBUTION

Height	Beam Diameter	FC
12.0'	7.80'	29.89
14.0'	9.10'	21.96
16.0'	10.40'	16.81
18.0'	11.70'	13.28
20.0'	13.00'	10.76

### CH8CIC30UE-D10\_CR8LC40CW-B40-T35 (2600lm, 30W, 40° Flood, 3500K)

System Power: 27.9W  
Test Date: 10/2023  
Beam Angle 50%: 36.8°  
Field Angle 10%: 90.3°  
Color Temperature: 3261K  
CRI: 93.8  
Lumens Delivered: 2094  
CBCP: 3436.2  
Power Factor: 0.99

MULTIPLIERS	
REFLECTOR FINISH	
CW:	1.01
SS:	0.99
<b>SW:</b>	<b>1.00</b>
WW:	0.968
CCT	
2700K:	0.91
3000K:	0.97
<b>3500K:</b>	<b>1.00</b>
4000K:	1.04
Lumens	
1000lm:	0.38
1500lm:	0.52
2000lm:	0.75
<b>2600lm:</b>	<b>1.00</b>



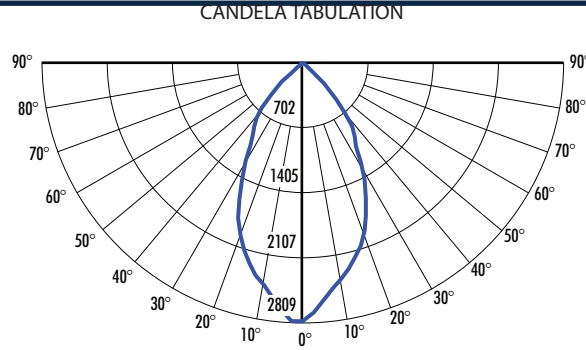
#### FOOTCANDLE DISTRIBUTION

Height	Beam Diameter	FC
12.0'	7.98'	23.86
14.0'	9.31'	17.53
16.0'	10.64'	13.42
18.0'	11.98'	10.61
20.0'	13.31'	8.59

### CH8CIC30UE-D10\_CR8LC40CW-B60-T35 (2600lm, 30W, 60° Wide Flood, 3500K)

System Power: 28W  
Test Date: 10/2023  
Beam Angle 50%: 56.2°  
Field Angle 10%: 94.3°  
Color Temperature: 3310K  
CRI: 93.8  
Lumens Delivered: 2608  
CBCP: 2803.8  
Power Factor: 0.99

MULTIPLIERS	
REFLECTOR FINISH	
CW:	1.01
SS:	0.99
<b>SW:</b>	<b>1.00</b>
WW:	0.968
CCT	
2700K:	0.91
3000K:	0.97
<b>3500K:</b>	<b>1.00</b>
4000K:	1.04
Lumens	
1000lm:	0.38
1500lm:	0.52
2000lm:	0.75
<b>2600lm:</b>	<b>1.00</b>



#### FOOTCANDLE DISTRIBUTION

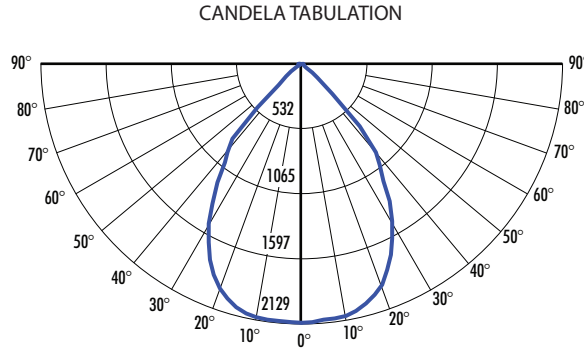
Height	Beam Diameter	FC
12.0'	12.81'	19.44
14.0'	14.95'	14.29
16.0'	17.09'	10.94
18.0'	19.22'	8.64
20.0'	21.36'	7.00

2024.05.01

## PHOTOMETRY (Continued)

### CH8CIC30UE-D10\_CR8LC40CW-B75-T35 (2600lm, 30W, 75° Very Wide Flood, 3500K)

System Power:	27.8W	<b>MULTIPLIERS</b>
Test Date:	10/2023	<b>REFLECTOR FINISH</b>
Beam Angle 50%:	74.4°	CW : 1.01
Field Angle 10%:	97.0°	SS : 0.99
Color Temperature:	3351K	<b>SW : 1.00</b>
CRI:	94.0	WW : 0.968
Lumens Delivered:	2776	<b>CCT</b>
CBCP:	2129.4	2700K : 0.91
Power Factor:	0.99	3000K : 0.97
		<b>3500K : 1.00</b>
		4000K : 1.04
		<b>Lumens</b>
		1000lm: 0.38
		1500lm: 0.52
		2000lm: 0.75
		<b>2600lm: 1.00</b>



FOOTCANDLE DISTRIBUTION		
Height	Beam Diameter	FC
12.0'	18.22'	14.79
14.0'	21.25'	10.86
16.0'	24.29'	8.32
18.0'	27.33'	6.57
20.0'	30.36'	5.32

2024.05.01