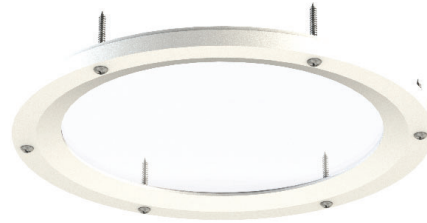
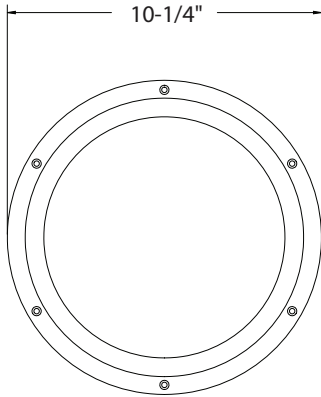
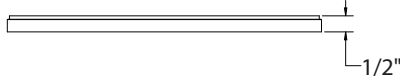


CR8S-VR : 8" OUTDOOR VANDAL RESISTANT CEILING/WALL KIT (SURFACE CEILING MOUNT)

- Glare-Free Soft Diffused Illumination
- Impact Resistant Diffusing Lens
- Tamper Proof Hardware
- IP65 RATED
- Ligature Resistant



ORDERING : CR8S-VR-B

CR8S-VR	
Fixture	Finish
Black	-B
White	-W
Silver	-S
Bronze	-BZ

2026.03.04

COMPATABILITY



CH8
 8" C • Series LED Downlight
 New Construction
 (1000lm-6200lm)



|CH8
 8" C • Series LED Downlight
 New Construction
 (300lm-600lm)



CH8LS
 8" C • Series Lumen/Color Select
 New Construction
 (2000lm-5300lm)



CRTRL8
 8" C • Series LED Downlight
 Retrofit/Remodel
 (1000lm-6200lm)



|CRTRL8
 8" C • Series LED Downlight
 Retrofit/Remodel
 (300lm - 600lm)



CRTRL8LS
 8" C • Series Lumen/ColorSelect
 Retrofit/Remodel
 (2000lm - 5300lm)

SPECIFICATION

Application

Vandal Resistant IP65 Cover Accessory for Ceiling and Wall Mounting in Outdoor applications. Covers standard 8" LED fixtures from LITON. The ceiling mount surface can be used to direct and guide as well as supply lighting for security. Ligature resistant design suitable for use in healthcare facilities

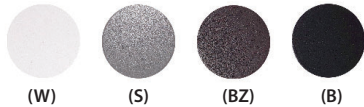
Faceplate

A round, open, one-piece, high grade die cast aluminum with a high corrosion-resistant powder coat finish and semi-translucent UV stabilized polycarbonate opal lens. Faceplate is secured to housing by four (4) captive, tamper resistant, stainless steel screws to prevent unwanted intrusion and ligature.

Warranty

Covered by a 5-Year Warranty to be free of defects in materials and craftsmanship.

Finish



A 7-stage electrostatic, polymer process provides an outdoor textured powder coat finish that delivers outstanding durability, superior anti-aging, resistance to corrosion and UV-degradation. Consult factory for Custom Color. (More Information).

Standard Finishes:

White: RAL 9003 (W)
Silver: RAL 7037 (S)
Bronze: RAL 8019 (BZ)
Black: RAL 9005 (B)