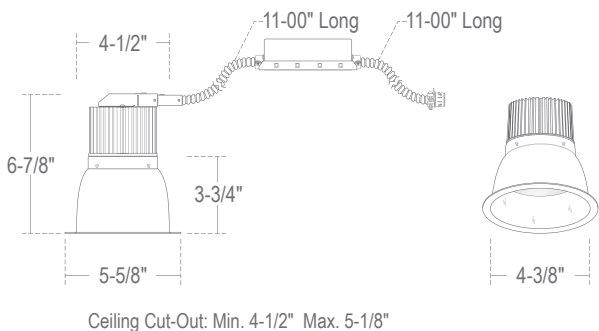


## CRTR4L : 4" C-SERIES

LED RETROFIT AMBER - 200LM-400LM (10W-22W) - (TURTLE SAFE)



### SPECIFICATION

120V/277V

**Application:** This Turtle Safe Commercial-grade LED recessed downlight retrofit is designed for low to high ceilings with existing open style frame. Lensed fixture.

**Retrofit Mounting:** :Designed for use with existing 4" Architectural, Incandescent, Fluorescent, and Metal Halide Housings like LITON Brand LVH41 and LH400. Supplied with flexible metal conduit for connection to existing electrical junction box. Uses existing frame-in-kits mounting method via clips. Consult factory for special mounting methods.

**Dimming:** Standard 0-10v dimming works with most 5-Wire 0-10V dimmers. Factory qualified for use with Leviton IP710-DLX and Lutron NTFTV-WH.

**Control:** 120V/277V AC 50/60Hz Electronic Direct Current Class 2 driver. Input current 0.50 Amps at 115VAC. Power Factor > 0.90. Operating Temperature: -20°C to +50°C / -4°F to +131°F. Accessible from above or below ceiling. Consult factory for compatible dimmers. Uni-Dim™ dimming option (-DUN) is a universal dimming system that works with most 3-Wire ELV, 2-Wire Incandescent and 5-Wire 0-10V fluorescent dimmers

**Insulation Contact:** Non IC rated, must be kept 3" from insulation.

**Reflector Construction:** One piece self-flanged design enables a clean trim finish, without the need for a secondary trim ring. Heavy-gauge aluminum reflector prevents ugly dents during shipping and installation. Provides 50° visual cut-off for springs or clips (not supplied). Impact-Resistant Polycarbonate lens.

**Power Connection:** LED lamp array is replaceable via on board quick disconnect terminal. Meets CA Title 24 requirements and other standards restricting the use of Medium Base or Bi-Pin sockets.

**Thermal Management:** Heat dissipation facilitated by exposed integral aluminum heat sink to maximize heat rejection in an open air environment. Recommended ambient temperature is below 35°C to achieve a minimum L70 life of 50,000 hours according to LM80 testing.

**Warranty:** Covered by a 5 year warranty to be free of defects in materials and craftsmanship. Fixture should not be installed in applications with ambient temperatures above 40°C. Doing so will result in reduced lamp life and voided warranty.

**Safety Labels:** ETL/cETL listed. Suitable for dry, damp, and wet locations. NYC approved. Calendar #41937

**Trim:** Frosted Polycarbonate Lens pre-installed on reflector unifies diode sources and protects diodes from dust and particles from front of aperture.

**Color Temperature:** LED color temperature is verified as 585nm minimum and 595nm maximum.

**Junction Box:** 16 gauge pre-wired aluminum Junction Box. 7 cubic-inch for a maximum of (4) #12 AWG wires. (2) 1/2" knock-outs. Remove covers for easy access and ground wire.

**Airflow:** IC-Rated/Airtight (ICA) reflector design is designed to restrict air flow from room into plenums in compliance to the WSEC - Washington State Energy Code, (Less than 2.0 CFM -Cubic Feet per Minute).

### COMPATIBILITY



P-CR471W

4" WALL WASH  
CR6 ACCESSORY



P-CR472

4" COMMERCIAL  
WALL WASH ACCESSORY



VR800

OUTDOOR VANDAL  
RESISTANT  
CEILING/WALL KIT

Note: Wattage limitations on compatible items must be met.

### Benefits:

- New Jbox Option for Remodel Installations without Frames
- 590nm AMBER Turtle Safe retrofit
- 0-10V Dimming Standard
- Usually ships 2-3 days
- Smooth diffused illumination. No visible LED's or hot spots.
- Heavy Duty Self-Flanged Reflector
- No Visible Screws or Hardware

### Turtle Safe Requirements:

**LOW:** The product is designed for low to medium ceiling heights and delivered lumen output is sufficient to produce enough foot candles to satisfy building codes but not overpower the environment with excessive lumen output.

**SHIELDED:** The trim is deeply recessed and provides a minimum of 50° of glare cutoff. The trim reflector color is black to limit reflections. The beam spread is tightly controlled.

**LONG:** LED color is verified as 585nm minimum and 595nm maximum.

2025.11.04

### FEATURE:



ORDERING EXAMPLE: CRTR4L10BBF-TAM

CRTR4L	WATTAGE/LUMENS	IC OPTION	REFLECTOR FINISH	CONTROL	EMERGENCY OPTIONS	COLOR TEMPERATURE	JUNCTION BOX	OPTIONS
CRTR4L	10 :200lm (10W)	Blank :Non-IC	BBF :All Black	Blank :Non-Dimming (120V)	Blank :None	-TAM :590nm AMBER	Blank :None	Blank :None
	17 :300lm (15W)	ICA :ICA Rated <sup>2</sup>		UE-DUN :UniDim™ 0-10V, TRIAC/ELV Dimming (120V/277V)	-EM :10W Emergency Battery		-JB :4" Junction Box	-CT4 :4.5" Ceiling Thickness
	18 :400lm (22W)			-DIN :TRIAC/ELV Dimming (120V)	-EMAC :Full Power Emergency Inverter <sup>1</sup>			
					-EMAC347 :Full Power Emergency Inverter (347V) <sup>1</sup>			
					-GTD :GTD Device			

<sup>1</sup> Check wiring diagram. <sup>2</sup> (ICA) is only available on CRTR4L10 and CRTR4L17. (CRTR4L18 are Non-IC rated.)



# CRTR4L : 4" C·SERIES

LED RETROFIT AMBER - 200LM-400LM (10W-22W) - (TURTLE SAFE)

## FULL POWER EMERGENCY INVERTER (-EMAC or -EMAC347): 10W - 22W

- Must be installed in Dry Locations
- Wattage package will determine battery sent; corresponding wiring diagrams below
- 170 VDC output to AC DRIVER during EM mode

**Not rated for outdoor mounting. Damp location rated.**

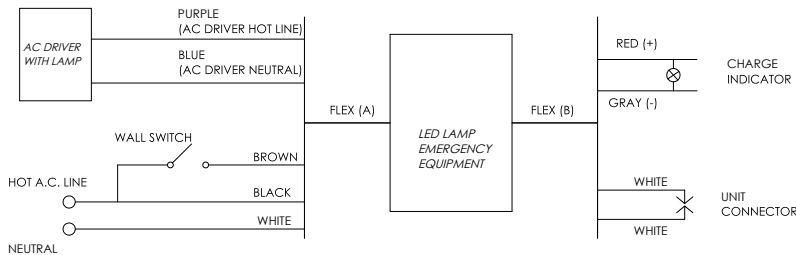
### -EMAC Lumen Data (Battery)

Fixture/Trim	CRTR4L10
Fixture Wattage:	10W
Fixture Lumens:	200
EM Lumens:	200

Fixture/Trim	CRTR4L17
Fixture Wattage:	15W
Fixture Lumens:	300
EM Lumens:	300

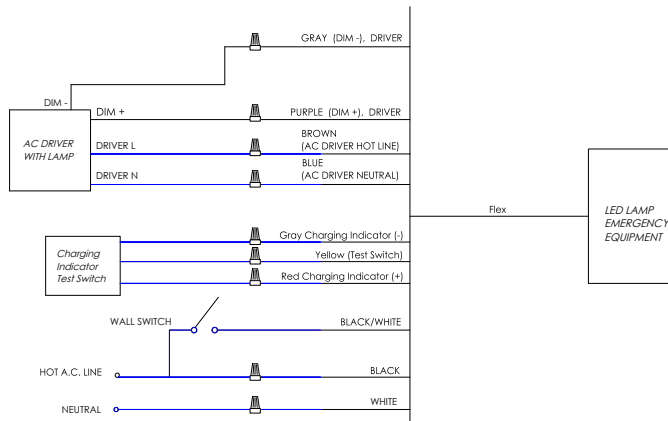
Fixture/Trim	CRTR4L18
Fixture Wattage:	22W
Fixture Lumens:	400
EM Lumens:	400

### <25W LOAD



Input Voltage:	120-277VAC/60Hz
Output Voltage:	170VDC (120VAC Equivalent)
Wattage:	25W
Switching Time:	<1s
Charging Time:	24h
Operating Time:	90 minutes
Minimum Temperature:	0°C
Maximum Temperature:	50°C
Self-Diagnostic:	No

### <40W LOAD



Input Voltage:	120-277VAC or 347VAC/60Hz
Output Voltage:	170VDC (120VAC Equivalent)
Wattage:	30W
Switching Time:	<1s
Charging Time:	24h
Operating Time:	90 minutes
Minimum Temperature:	0°C
Maximum Temperature:	50°C
Self-Diagnostic:	Yes