

SPECIFICATION

Application

Architectural/Commercial-grade recessed lensed LED retrofit/remodel downlight with Lumen/ColorSelect switches offers added flexibility for optimal light output and ambience in commercial and architectural spaces with medium to high ceilings.

Retrofit Mounting

Designed for use with existing 4" Architectural, Incandescent, Fluorescent, and Metal Halide Housings. Supplied with flexible metal conduit for connection to existing electrical junction box. Uses existing frame-in-kits mounting method via clips. Consult factory for special mounting methods.

Use the -JB Junction box option for remodel applications that don't have an existing housing frame or an electrical junction box close by. The retaining spring clips option allows for mounting to wood or gypsum board ceilings without the need of a frame.

Color Temperature (CCT)



Available in 3000K, 3500K and 4000K in 84 CRI.

Insulation Contact

CRTR4LS1116 set to 18W (1100lm) or 22W (1400lm) are inherently thermally protected for direct insulation contact without the need for an enclosure. 28W (1600lm) are Non-IC rated housings and must be kept 3" from loose-fill insulation.

Power Connection

LED lamp array is replaceable via on board quick disconnect terminal. Meets CA Title 24 requirements and other standards restricting the use of Medium Base or Bi-Pin sockets.

Thermal Management

Heat dissipation facilitated by a large exposed integral aluminum heat sink to maximize heat dissipation in an open-air environment. The recommended ambient temperature should be below 35°C (95°F) to achieve a minimum L70 life of 50,000 hours according to the LM80 standard.

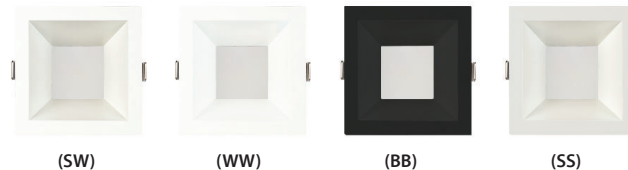
Reflector

Field adjustable twist and lock reflector is easily removable to provide quick access to LED lamp array. Frosted polycarbonate lens pre-installed on reflector unifies diode sources and protects diodes from dust and particles from front of aperture.

SPECIFICATION (Continued)

Reflector Finish

1-piece, self-flanged, dual reflector LED design provides a clean trim finish without secondary trim ring. Heavy gauge aluminum reflector prevents ugly dents during shipping & installation. Deeply mounted singular LED provides 50° visual cutoff. Available in Satin Haze Reflector/White Finish, White Reflector/White Finish, All Black.



Junction Box

16 gauge pre-wired aluminum Junction Box. 7 cubic-inch for a maximum of (4) #12 AWG wires. (2) 1/2" knock-outs. Remove covers for easy access and ground wire.

Airflow

IC-Rated/Airtight (ICA) reflector design is designed to restrict air flow from room into plenums in compliance to the WSEC - Washington State Energy Code, (Less than 2.0 CFM -Cubic Feet per Minute).

Certifications and Listings



cETLus listed to UL1598 and UL8750. Suitable for dry, damp, and wet locations. NYC approved: Calendar #41937. Conforms to City of Chicago Environmental Air CCEA-200 with Section 18-27-300.22 and special requirements Section 14-20-210C-4. Assembled in USA.

Caution

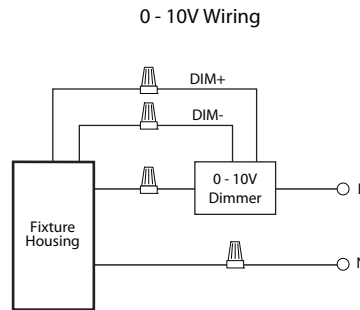
LITON recommends use of surge protectors on the power entering LED Housings. Surge damage is not covered by warranty. (+1KV). Fixtures must be grounded in accordance with national, state and/or local electrical codes. Failure to do so may result in serious personal injury.

SPECIFICATION (Continued)

Dimming Options

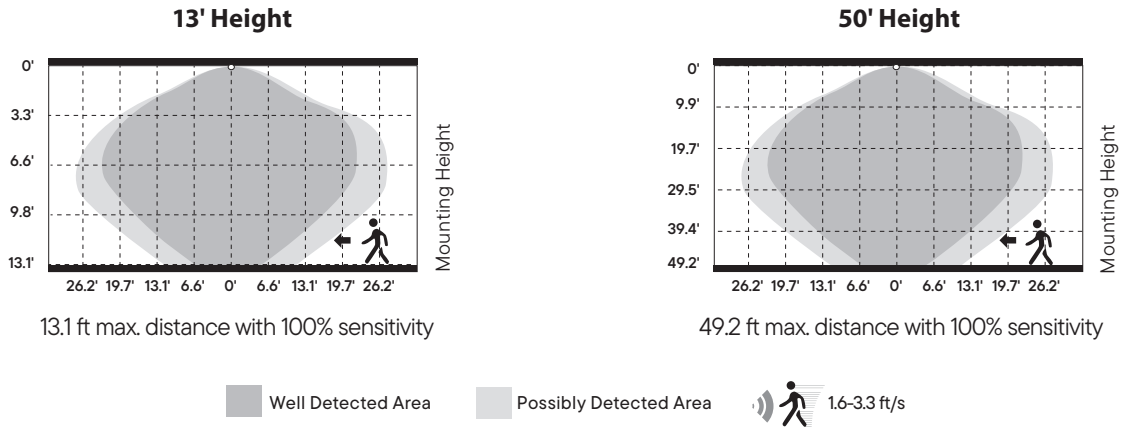
0-10V Driver 120V/277V (UE-D10):

Compatible with most existing 0-10V systems. Also known as fluorescent or 5-Wire dimming. Allows smooth dimming down to 5% depending upon the dimmer's limitations. Compatible with daylight harvesting controls.



Unisense[™] PROGRAMMABLE MOTION + DAYLIGHT (-SUN-RMT, -SUN-RMT-1227)

- Microwave and PIR (Passive Infrared) sensors depending on option
- Daylight harvesting
- Dusk/dawn sensing capabilities
- Motion Sensor



Warranty

Covered by a 5-Year Warranty to be free of defects in materials and craftsmanship. Recommended for applications where ambient temperatures do not exceed 35°C (95°F), installations exceeding this temperature will result in reduced LED lamp life and a voided warranty.

Emergency Options

Emergency LED Battery Back-up available, remotely mounted adjacently by the installer. When AC power fails, the device immediately switches to the emergency mode, operating the LEDs for a minimum of 90 minutes. Remote test switch and plate cover included. Optional Generator Transfer Device switches the driver to auxiliary generator power during the loss of normal AC power, (recommended for applications requiring individual circuit switching).

SPECIFICATION (Continued)

EMERGENCY BATTERY (-EM): 10W

- Must be installed in Dry Locations
- 10W constant output to LED lamp

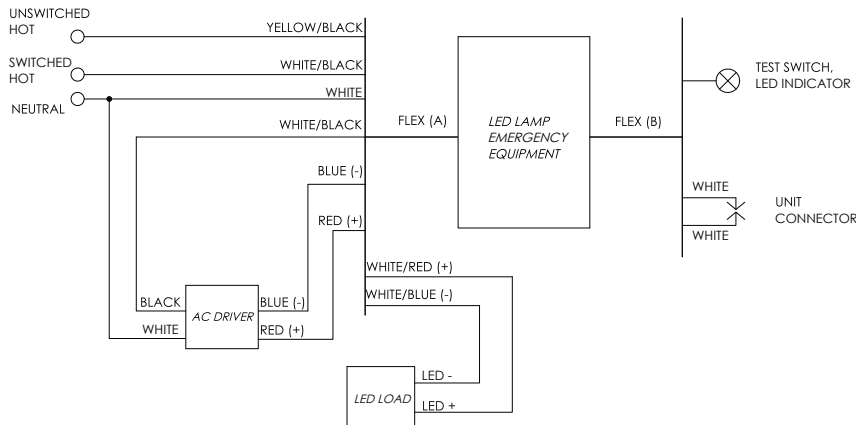
Not rated for outdoor mounting. Damp location rated.

-EM Lumen Data (Battery)

Fixture/Trim	CRTR4QLS1116
Fixture Wattage:	18W (Drive Set Low)
Fixture Lumens:	1100
Multiplier:	0.56
EM Lumens:	620

Fixture/Trim	CRTR4QLS1116
Fixture Wattage:	22W (Drive Set Mid)
Fixture Lumens:	1400
Multiplier:	0.45
EM Lumens:	630

Fixture/Trim	CRTR4QLS1116
Fixture Wattage:	28W (Drive Set High)
Fixture Lumens:	1600
Multiplier:	0.36
EM Lumens:	580



Input Voltage:	120-277VAC/60Hz
Output Voltage:	10W
Wattage:	10W
Switching Time:	<1s
Charging Time:	24h
Operating Time:	90 minutes
Minimum Temperature:	0°C
Maximum Temperature:	50°C
Self-Diagnostic:	No

SPECIFICATION (Continued)

FULL POWER EMERGENCY INVERTER (-EMAC or -EMAC347): 28W Max

- Must be installed in Dry Locations
- 170 VDC output to AC DRIVER during EM mode

Not rated for outdoor mounting. Damp location rated.

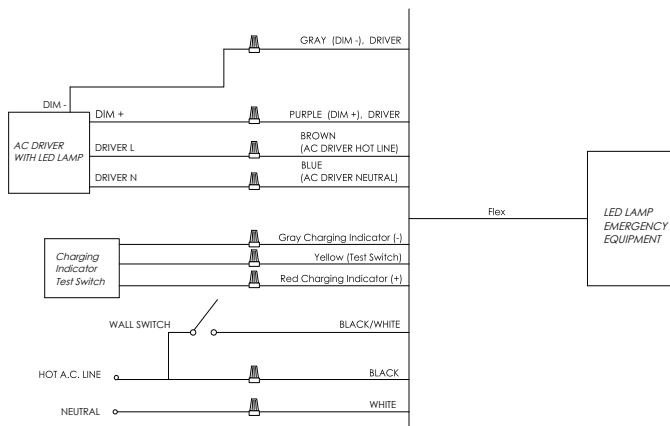
-EMAC Lumen Data (Battery)

Fixture/Trim	CRTR4QLS1116
Fixture Wattage:	18W (Drive Set Low)
Fixture Lumens:	1100
EM Lumens:	1100

Fixture/Trim	CRTR4QLS1116
Fixture Wattage:	22W (Drive Set Mid)
Fixture Lumens:	1400
EM Lumens:	1400

Fixture/Trim	CRTR4QLS1116
Fixture Wattage:	28W (Drive Set High)
Fixture Lumens:	1600
EM Lumens:	1600

<40W LOAD



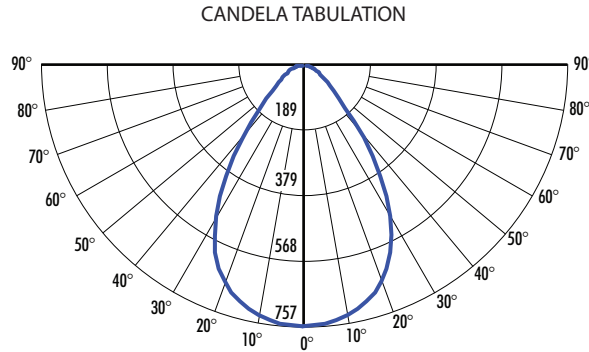
Input Voltage:	120-277VAC or 347VAC/60Hz
Output Voltage:	170VDC (120VAC Equivalent)
Wattage:	28W
Switching Time:	<1s
Charging Time:	24h
Operating Time:	90 minutes
Minimum Temperature:	0°C
Maximum Temperature:	50°C
Self-Diagnostic:	Yes

PHOTOMETRY

CRTR4QLS1116WWUE-D10-TS40_LOW (1100lm, 17W, 4000K)

System Power: 17.5W
Test Date: 02/2024
Beam Angle 50%: 71°
Field Angle 10%: 115.7°
Color Temperature: 3777K
CRI: 82.4
Lumens Delivered: 1098
CBCP: 757.14
Power Factor: 0.99

MULTIPLIERS
REFLECTOR FINISH
CW: 0.00
SS: 0.00
SW: 0.00
WW: 0.00
CCT
3000K: 1.01
3500K: 1.12
4000K: 1.00



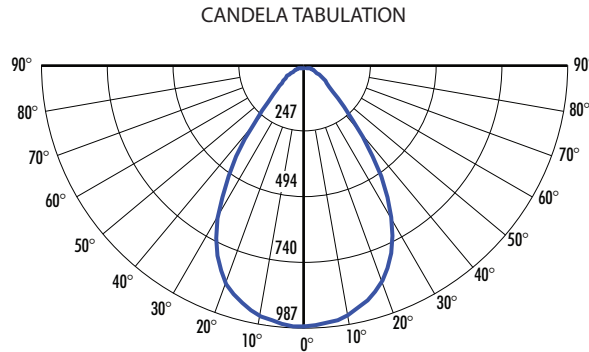
FOOTCANDLE DISTRIBUTION

Height	Beam Diameter	FC
8.0'	11.41'	11.83
10.0'	14.27'	7.57
12.0'	17.12'	5.26
14.0'	19.97'	3.86
16.0'	22.83'	2.96

CRTR4QLS1116WWUE-D10-TS40_MID (1400lm, 22W, 4000K)

System Power: 18W
Test Date: 02/2024
Beam Angle 50%: 84.2°
Field Angle 10%: 108.0°
Color Temperature: 3866K
CRI: 82.6
Lumens Delivered: 1928
CBCP: 1164
Power Factor: 0.99

MULTIPLIERS
REFLECTOR FINISH
CW: 0.00
SS: 0.00
SW: 0.00
WW: 0.00
CCT
3000K: 1.01
3500K: 1.12
4000K: 1.00



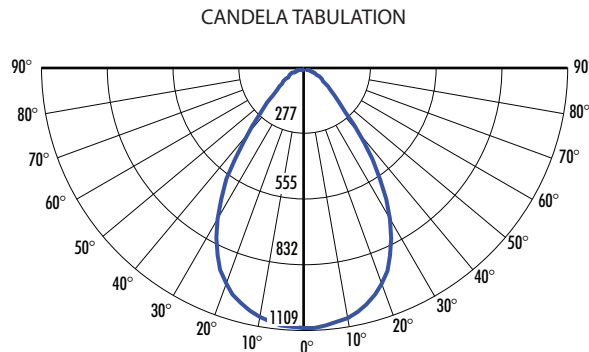
FOOTCANDLE DISTRIBUTION

Height	Beam Diameter	FC
8.0'	11.37'	15.43
10.0'	14.21'	9.87
12.0'	17.06'	6.86
14.0'	19.90'	5.04
16.0'	22.74'	3.86

CRTR4QLS1116WWUE-D10-TS40_HIGH (1600lm, 28W, 4000K)

System Power: 22W
Test Date: 02/2024
Beam Angle 50%: 84.3°
Field Angle 10%: 107.9°
Color Temperature: 3873K
CRI: 82.4
Lumens Delivered: 2355
CBCP: 1421.3
Power Factor: 0.99

MULTIPLIERS
REFLECTOR FINISH
CW: 0.00
SS: 0.00
SW: 0.00
WW: 0.00
CCT
3000K: 1.01
3500K: 1.12
4000K: 1.00



FOOTCANDLE DISTRIBUTION

Height	Beam Diameter	FC
8.0'	11.43'	17.33
10.0'	14.29'	11.09
12.0'	17.15'	7.70
14.0'	20.01'	5.66
16.0'	22.87'	4.33

2024.02.01