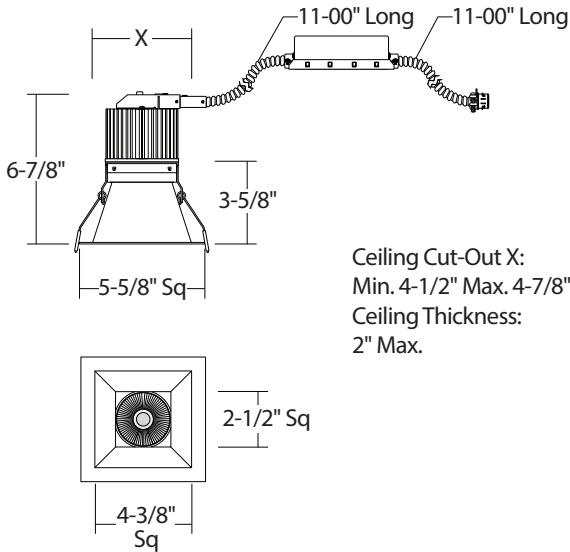
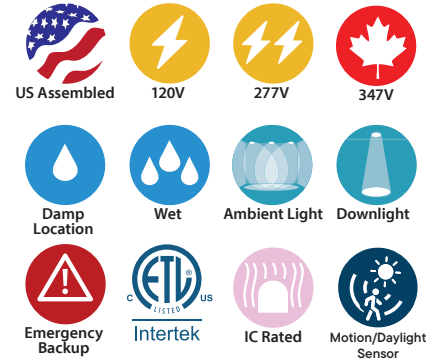


CRTR4QL : 4" C-SERIES

SQUARE LED DOWNLIGHT RETROFIT/REMODEL 800LM - 2600LM (10W-30W)



Ceiling Cut-Out X:
 Min. 4-1/2" Max. 4-7/8"
 Ceiling Thickness:
 2" Max.



- Wide catalogue of lumen and dimming options
- Standard with 0-10V Dimming
- Twist and lock reflector for quick access to LED lamp array.
- Heavy-duty seamless die-cast reflector
- Soft even lumen distribution
- No visible screws or hardware
- New Lutron Athena Options Available

ORDERING : CRTR4L18SWUE-D10-T30

CRTR4QL						
Fixture/Lumens	Insulation Contact	Reflector Finish	Control	Emergency Options	Color Temperature	J-Box
Fixture/Lumens			Control ¹	Emergency Options		J-Box
800lm (10W) CRTR4QL08			0-10V Dimming	None	Blank	None
1300lm (18W) CRTR4QL10			UniDim™ 0-10V, TRIAC/ELV Dimming	10W Emergency Battery	-EM	None
1600lm (22W) CRTR4QL17			TRIAC/ELV Dimming (120V)	Full Power Emergency Inverter	-EMAC⁷	Junction Box
1800lm (28W) CRTR4QL18			Lutron Hi-Lume	Full Power Emergency Inverter (347V)	-EMAC347⁷	Junction Box (Chicago Plenum)
2200lm (25W) CRTR4QL30			Lutron EcoSystem	GTD Device	-GTD	
2600lm (30W) CRTR4QL31			0-10V Dimming (347V)			
			1%, 0-10V Dimming			
			0-10V Dimming with 10W Integral Emergency Battery Backup			
Insulation Contact			Dali Dimming	Color Temperature		
Non-IC	Blank		DMX Dimming with input via XLR5 (120V/277V)	2700K (84CRI)	-T27	
ICA Rated/Airtight	ICA²		DMX Dimming with input via RJ45 (120V/277V)	3000K (84 CRI)	-T30	
			Athena Wireless Node (120V)	3500K (84 CRI)	-T35	
Reflector Finish			Athena Wireless Node	4000K (84 CRI)	-T40	
Satin Haze Reflector/White Ring	SW		Occupancy Sensor (120V)	5000K (84 CRI)	-T50⁵	
White Reflector/White Ring	WW		UniSense - Remotely Mounted Motion/Photosensor (120V)			
All Black	BB		UniSense - Remotely Mounted Motion/Photosensor			
All Satin Haze	SS		Casambi Wireless Dimming			
			BubblyNet Wireless System			
			Lutron Vive Wireless Dimming Module			

¹ All drivers are 120V/277V unless otherwise noted.
² (ICA) is only available on CRTR4QL08, CRTR4QL10 and CRTR4QL17. (CRTR4QL18, CRTR4QL30 and CRTR4QL31 are Non-IC rated.)
³ (-347-D10) not available for CRTR4QL08.
⁴ Special Order. Minimum order quantity (MOQ), extended lead time may apply. Consult Factory.
⁵ (-T50) not available for CRTR4QL30 and CRTR4QL31.
⁶ (-SUN-RMT) sensor sent with mounting clips for existing ceiling applications.
⁷ Check wiring diagram.
⁸ UE-D10-EMA is not compatible with -EM or -EMAC or EMAC347 or -GTD

Custom RAL Color: Please note that we appreciate custom finishes. Custom finishes are subject to special paint setup fee for the quantity ordered. Extended lead times may apply. Consult Factory.

2025.11.21

SPECIFICATION

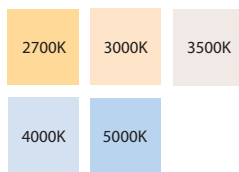
Application

Architectural/Commercial-grade recessed lensed Surface-Mounted Device (SMD) LED retrofit/remodel downlight optimal for commercial and architectural spaces with medium to high ceilings.

Mounting

Designed for use with existing 4" Architectural, Incandescent, Fluorescent, and Metal Halide Housings. Supplied with flexible metal conduit for connection to existing electrical junction box. Uses existing frame-in-kits mounting method via clips. Consult factory for special mounting methods. Use the -JB Junction box option for remodel applications that don't have an existing housing frame or an electrical junction box close by. The retaining spring clips option allows for mounting to wood or gypsum board ceilings without the need of a frame.

Color Temperature



Available in 2700K, 3000K, 3500K, 4000K and 5000K in 84 CRI.

Insulation Contact

(CRTR4QL08), (CRTR4QL10) and (CRTR4QL17) are inherently thermally protected for direct insulation contact without the need for an enclosure. (CRTR4QL18), (CRTR4QL30) and (CRTR4QL31) are Non-IC rated housing and must be kept 3" from loose-fill insulation.

Power Connection

LED lamp array is replaceable via on board quick disconnect terminal. Meets CA Title 24 requirements and other standards restricting the use of Medium Base or Bi-Pin sockets.

Thermal Management

Heat dissipation facilitated by a large exposed integral aluminum heat sink to maximize heat dissipation in an open-air environment. IC Option thermally engineered to ensure stated L70 LED life without the need for external box. The recommended ambient temperature should be below 35°C (95°F) to achieve a minimum L70 life of 50,000 hours according to the LM80 standard.

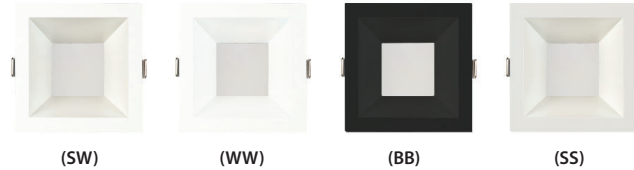
Reflector

Field adjustable twist and lock reflector is easily removable for both Non-IC and IC rated housings to provide quick access to LED lamp array. Frosted polycarbonate lens pre-installed on reflector unifies diode sources and protects diodes from dust and particles from front of aperture. (UE-D10-EMA) features integral EM test switch on reflector.

SPECIFICATION (Continued)

Reflector Finish

1-piece, self-flanged, dual reflector LED design provides a clean trim finish without secondary trim ring. Heavy gauge aluminum reflector prevents ugly dents during shipping & installation. Deeply mounted singular LED provides 50° visual cutoff. Available in Satin Haze Reflector/White Finish, White Reflector/White Finish, All Black, All Black.



Junction Box

16 gauge pre-wired aluminum Junction Box. 7 cubic-inch for a maximum of (4) #12 AWG wires. (2) 1/2" knock-outs. Remove covers for easy access and ground wire.

Airflow

IC-Rated/Airtight (ICA) reflector design is designed to restrict air flow from room into plenums in compliance to the WSEC - Washington State Energy Code, (Less than 2.0 CFM -Cubic Feet per Minute).

Certifications and Listings



cETLus listed to UL1598 and UL8750. Suitable for dry, damp, and wet locations. NYC approved: Calendar #41937. Conforms to City of Chicago Environmental Air CCEA-200 with Section 18-27-300.22 and special requirements Section 14-20-210C-4. Assembled in USA.

Caution

LITON recommends use of surge protectors on the power entering LED Housings. Surge damage is not covered by warranty. (+1KV). Fixtures must be grounded in accordance with national, state and/or local electrical codes. Failure to do so may result in serious personal injury.

SPECIFICATION (Continued)

Control Options

ELV and TRIAC Driver 120V (-DIN):

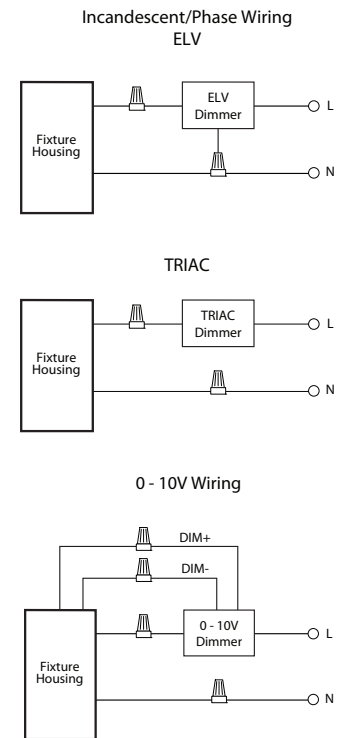
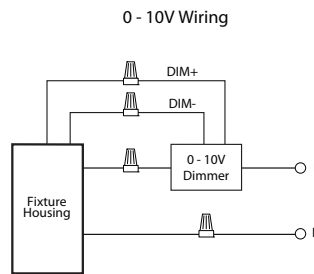
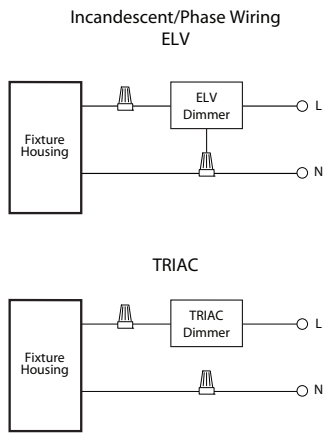
Compatible with electronic low voltage, and 2-Wire incandescent dimmers. Also known as leading edge, Reverse Phase, Forward Phase dimming. Allows smooth dimming down to 5% depending upon the dimmer's limitations.

0-10V Driver 120V/277V (UE-D10):

Compatible with most existing 0-10V systems. Also known as fluorescent or 5-Wire dimming. Allows smooth dimming down to 5% depending upon the dimmer's limitations. Compatible with daylight harvesting controls.

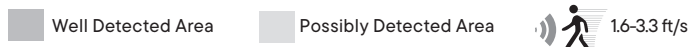
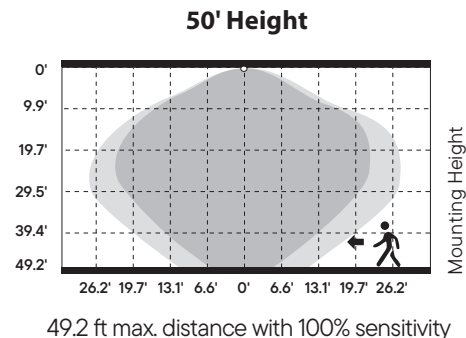
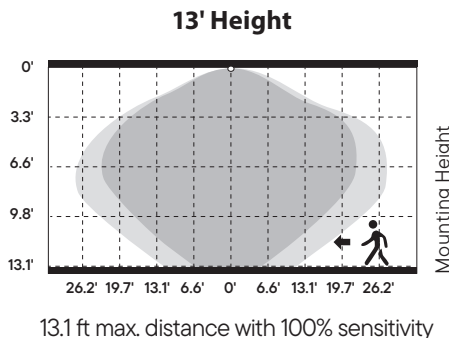
UniDim™ Driver 120V/277V (UE-DUN):

All in one ELV and TRIAC phase dimming (120V only), and 0-10V dimming (120V/277V). Works with most 3-Wire ELV, 2-Wire incandescent and 120V/277V 5-Wire 0-10V fluorescent dimmers.



Unisense™ PROGRAMMABLE MOTION + DAYLIGHT (-SUN-RMT, -SUN-RMT-1227)

- Microwave and PIR (Passive Infrared) sensors depending on option
- Daylight harvesting
- Dusk/dawn sensing capabilities
- Motion Sensor



SPECIFICATION (Continued)

Warranty

Covered by a 5-Year Warranty to be free of defects in materials and craftsmanship. Recommended for applications where ambient temperatures do not exceed 35°C (95°F), installations exceeding this temperature will result in reduced LED lamp life and a voided warranty.

Emergency Options

Emergency LED Battery Back-up available, remotely mounted adjacently by the installer. When AC power fails, the device immediately switches to the emergency mode, operating the LEDs for a minimum of 90 minutes. Remote test switch and plate cover included. Optional Generator Transfer Device switches the driver to auxiliary generator power during the loss of normal AC power, (recommended for applications requiring individual circuit switching).

EMERGENCY BATTERY (-EM): 10W

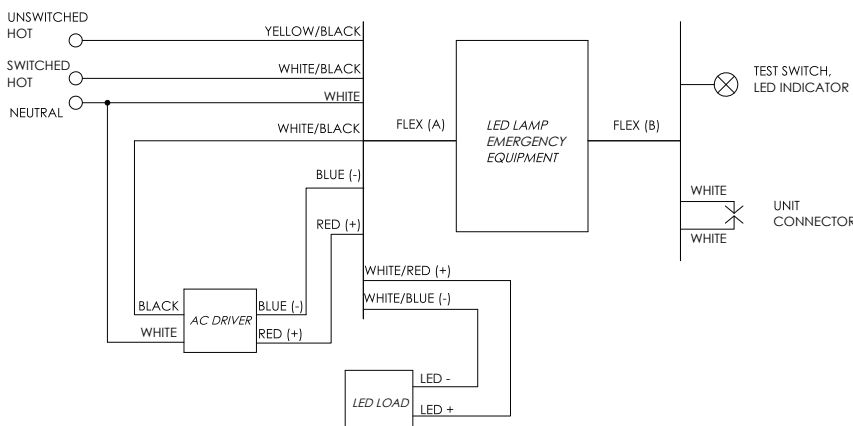
- Must be installed in Dry Locations
- 10W constant output to LED lamp

Not rated for outdoor mounting. Damp location rated.

-EM Lumen Data (Battery)

Fixture/Trim	CRTR4QL08	Fixture/Trim	CRTR4QL10	Fixture/Trim	CRTR4QL17
Fixture Wattage:	10W	Fixture Wattage:	18W	Fixture Wattage:	22W
Fixture Lumens:	800	Fixture Lumens:	1300	Fixture Lumens:	1600
Multiplier:	1	Multiplier:	0.56	Multiplier:	0.45
EM Lumens:	800	EM Lumens:	730	EM Lumens:	720

Fixture/Trim	CRTR4QL18	Fixture/Trim	CRTR4QL30	Fixture/Trim	CRTR4QL31
Fixture Wattage:	28W	Fixture Wattage:	25W	Fixture Wattage:	30W
Fixture Lumens:	1800	Fixture Lumens:	2200	Fixture Lumens:	2600
Multiplier:	0.36	Multiplier:	0.4	Multiplier:	0.33
EM Lumens:	650	EM Lumens:	880	EM Lumens:	860



Input Voltage:	120-277VAC/60Hz
Output Voltage:	10W
Wattage:	10W
Switching Time:	<1s
Charging Time:	24h
Operating Time:	90 minutes
Minimum Temperature:	0°C
Maximum Temperature:	50°C
Self-Diagnostic:	No

SPECIFICATION (Continued)

FULL POWER EMERGENCY INVERTER (-EMAC or -EMAC347): 10W - 30W

- Must be installed in Dry Locations
- Wattage package will determine battery sent; corresponding wiring diagrams below
- 170 VDC output to AC DRIVER during EM mode

Not rated for outdoor mounting. Damp location rated.

-EMAC Lumen Data (Battery)

Fixture/Trim	CRTR4QL08
Fixture Wattage:	10W
Fixture Lumens:	800
EM Lumens:	800

Fixture/Trim	CRTR4QL10
Fixture Wattage:	18W
Fixture Lumens:	1300
EM Lumens:	1300

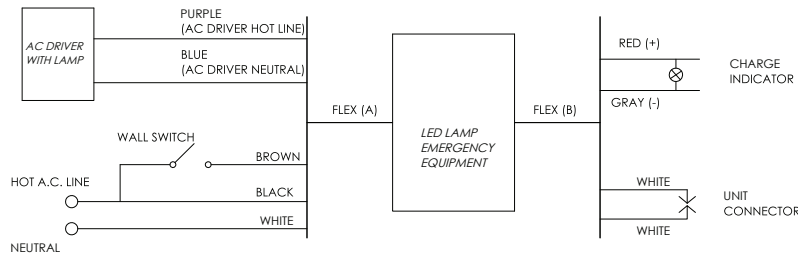
Fixture/Trim	CRTR4QL17
Fixture Wattage:	22W
Fixture Lumens:	1600
EM Lumens:	1600

Fixture/Trim	CRTR4QL18
Fixture Wattage:	28W
Fixture Lumens:	1800
EM Lumens:	1800

Fixture/Trim	CRTR4QL30
Fixture Wattage:	25W
Fixture Lumens:	2200
EM Lumens:	2200

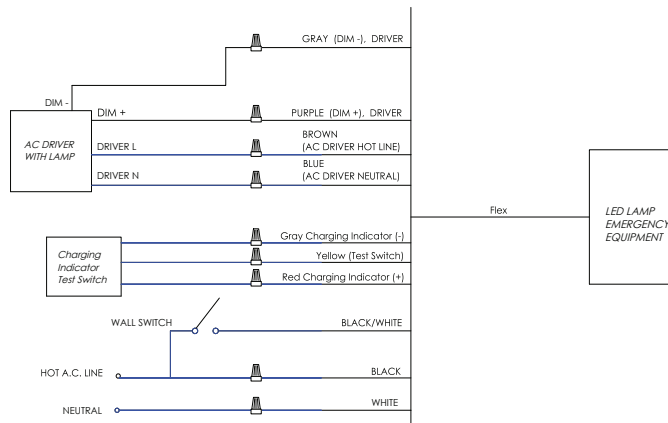
Fixture/Trim	CRTR4QL31
Fixture Wattage:	30W
Fixture Lumens:	2600
EM Lumens:	2600

<25W LOAD



Input Voltage:	120-277VAC/60Hz
Output Voltage:	170VDC (120VAC Equivalent)
Wattage:	25W
Switching Time:	<1s
Charging Time:	24h
Operating Time:	90 minutes
Minimum Temperature:	0°C
Maximum Temperature:	50°C
Self-Diagnostic:	No

<40W LOAD

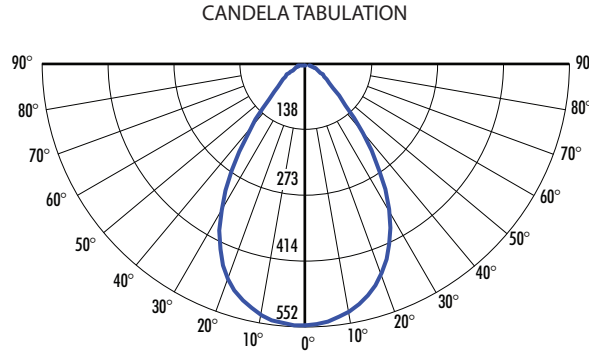


Input Voltage:	120-277VAC or 347VAC/60Hz
Output Voltage:	170VDC (120VAC Equivalent)
Wattage:	30W
Switching Time:	<1s
Charging Time:	24h
Operating Time:	90 minutes
Minimum Temperature:	0°C
Maximum Temperature:	50°C
Self-Diagnostic:	Yes

PHOTOMETRY

CRTR4QL08WWUE-D10-T40 (800lm, 10W, 4000K)

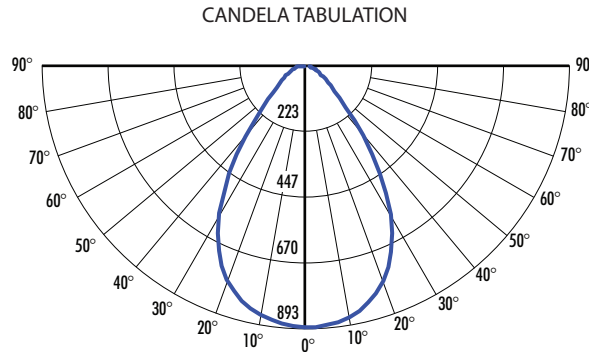
System Power:	10W	MULTIPLIERS
Test Date:	07/2024	REFLECTOR FINISH
Beam Angle 50%:	69.5°	WW : 1.00
Field Angle 10%:	114.1°	SS : 0.89
Color Temperature:	3787K	SW : 0.89
CRI:	82.8	BB : 0.52
Lumens Delivered:	776	CCT
CBCP:	551.9	2700K : 1.04
Power Factor:	0.99	3000K : 1.01
		3500K : 1.12
		4000K : 1.00



Height	Beam Diameter	FC
8.0'	11.10'	8.62
10.0'	13.87'	5.52
12.0'	16.65'	3.83
14.0'	19.42'	2.82
16.0'	22.20'	2.16

CRTR4QL10WWUE-D10-T40 (1300lm, 18W, 4000K)

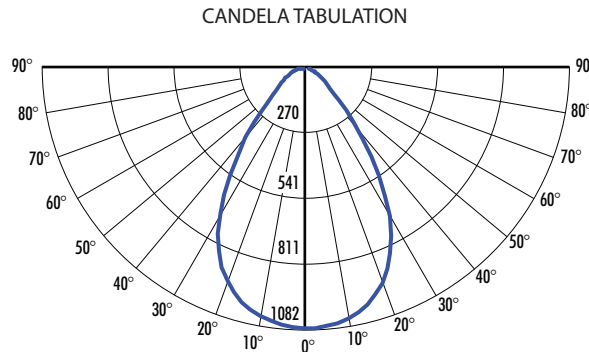
System Power:	18W	MULTIPLIERS
Test Date:	07/2024	REFLECTOR FINISH
Beam Angle 50%:	70.1°	WW : 1.00
Field Angle 10%:	115.6°	SS : 0.89
Color Temperature:	3765K	SW : 0.89
CRI:	82.3	BB : 0.52
Lumens Delivered:	1287	CCT
CBCP:	893.3	2700K : 1.04
Power Factor:	0.99	3000K : 1.01
		3500K : 1.12
		4000K : 1.00



Height	Beam Diameter	FC
8.0'	11.22'	13.96
10.0'	14.03'	8.93
12.0'	16.84'	6.20
14.0'	19.64'	4.56
16.0'	22.45'	3.49

CRTR4QL17WWUE-D10-T40 (1600lm, 22W, 4000K)

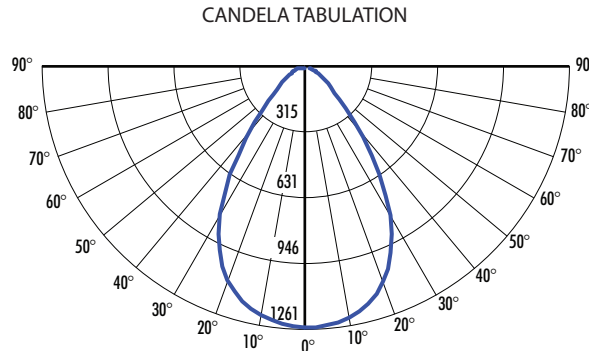
System Power:	23W	MULTIPLIERS
Test Date:	07/2024	REFLECTOR FINISH
Beam Angle 50%:	70.0°	WW : 1.00
Field Angle 10%:	115.6°	SS : 0.89
Color Temperature:	3781K	SW : 0.89
CRI:	82.2	BB : 0.52
Lumens Delivered:	1561	CCT
CBCP:	1081.8	2700K : 1.04
Power Factor:	0.99	3000K : 1.01
		3500K : 1.12
		4000K : 1.00



Height	Beam Diameter	FC
8.0'	11.20'	16.90
10.0'	14.00'	10.82
12.0'	16.80'	7.51
14.0'	19.61'	5.52
16.0'	22.41'	4.23

CRTR4QL18WWUE-D10-T40 (1800lm, 28W, 4000K)

System Power:	28W	MULTIPLIERS
Test Date:	07/2024	REFLECTOR FINISH
Beam Angle 50%:	70.1°	WW : 1.00
Field Angle 10%:	115.5°	SS : 0.89
Color Temperature:	3792K	SW : 0.89
CRI:	82.1	BB : 0.52
Lumens Delivered:	1818	CCT
CBCP:	1261	2700K : 1.04
Power Factor:	0.99	3000K : 1.01
		3500K : 1.12
		4000K : 1.00



Height	Beam Diameter	FC
8.0'	11.22'	19.70
10.0'	14.03'	12.61
12.0'	16.84'	8.76
14.0'	19.64'	6.43
16.0'	22.45'	4.93

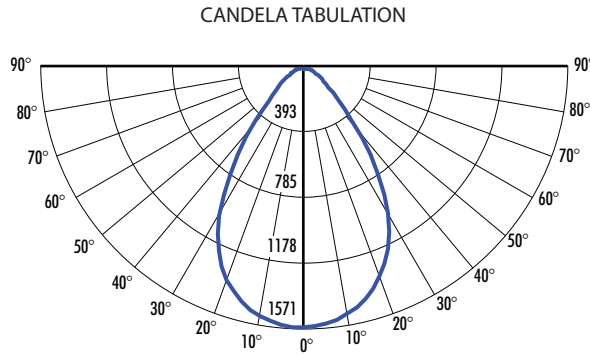
2024.07.15

PHOTOMETRY (Continued)

CRTR4QL30WWUE-D10-T40 (2200lm, 25W, 4000K)

System Power: 25W
 Test Date: 07/2024
 Beam Angle 50%: 69.8°
 Field Angle 10%: 114.7°
 Color Temperature: 3850K
 CRI: 83.1
 Lumens Delivered: 2228
 CBCP: 1570.8
 Power Factor: 0.99

MULTIPLIERS
REFLECTOR FINISH
WW : 1.00
 SS : 0.89
 SW : 0.89
 BB : 0.52
CCT
 2700K : 1.04
 3000K : 1.01
 3500K : 1.12
4000K : 1.00



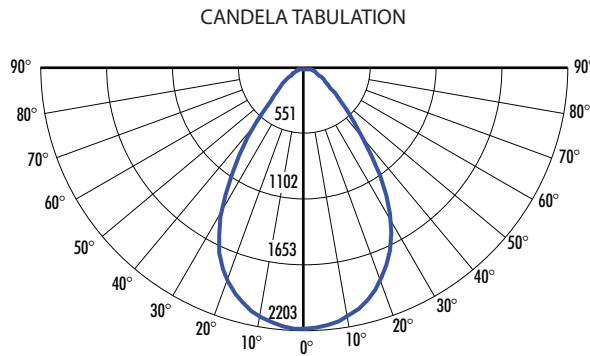
FOOTCANDLE DISTRIBUTION

Height	Beam Diameter	FC
8.0'	11.16'	24.54
10.0'	13.95'	15.71
12.0'	16.74'	10.91
14.0'	19.53'	8.01
16.0'	22.32'	6.14

CRTR4QL31WWUE-D10-T40 (2600lm, 30W, 4000K)

System Power: 30W
 Test Date: 07/2024
 Beam Angle 50%: 69.9°
 Field Angle 10%: 114.7°
 Color Temperature: 3864K
 CRI: 83.1
 Lumens Delivered: 2617
 CBCP: 1844.4
 Power Factor: 0.99

MULTIPLIERS
REFLECTOR FINISH
WW : 1.00
 SS : 0.89
 SW : 0.89
 BB : 0.52
CCT
 2700K : 1.04
 3000K : 1.01
 3500K : 1.12
4000K : 1.00



FOOTCANDLE DISTRIBUTION

Height	Beam Diameter	FC
8.0'	11.18'	28.82
10.0'	13.98'	18.44
12.0'	16.77'	12.81
14.0'	19.57'	9.41
16.0'	22.37'	7.20