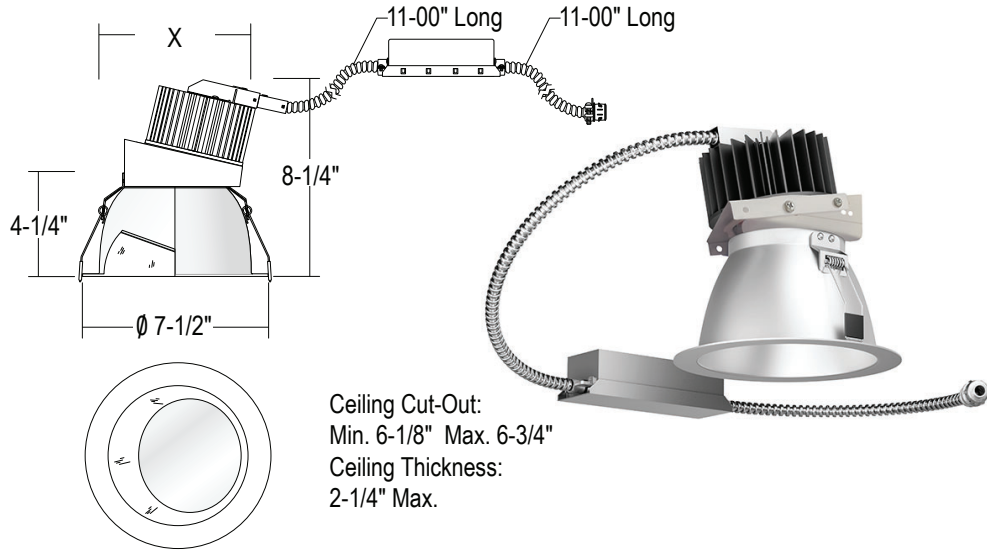
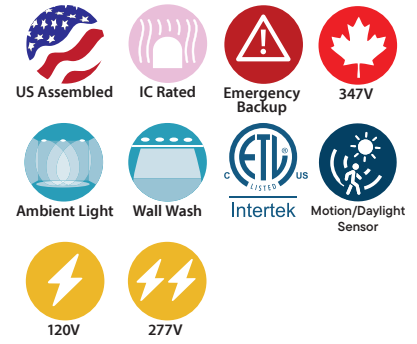


| CRTR672LC : 6" C-SERIES

WALL WASH LED, RETROFIT/REMODEL 1000LM - 4000LM (10W-44W)



Ceiling Cut-Out:
 Min. 6-1/8" Max. 6-3/4"
 Ceiling Thickness:
 2-1/4" Max.



- Quick connector power adapter and twist-and-lock reflector for quick access and easy maintenance
- Heavy-duty springs and self-flanged reflector
- Several lumen packages with soft even illumination
- No visible screws or hardware

ORDERING : CRTR672LC10SW-T27UE-D10-JB-CHP

CRTR672LC		Reflector Finish	CCT	Control	Emergency Options	J-Box	Options
Fixture/Lumens	Insulation Contact						
1000lm (10W)	CRTR672LC10	Satin Haze Reflector/ White Ring	SW	0-10V Dimming UniDim™ 0-10V, TRIAC/ELV Dimming	UE-D10 UE-DUN	None	Blank
1500lm (15W)	CRTR672LC13	White Reflector/ White Ring	WW	TRIAC/ELV Dimming (120V)	-DIN	10W Emergency Battery	-EM
2100lm (20W)	CRTR672LC20	All Black	BB	Lutron Hi-Lume	UE-DHL	Full Power Emergency Inverter	-EMAC⁶
2800lm (30W)	CRTR672LC26	All Satin Haze	SS	0-10V Dimming (347V) 1%, 0-10V Dimming	-347-D10² UE-D10P1	Full Power Emergency Inverter (347V)	-EMAC347⁶
4000lm (44W)	CRTR672LC35			0-10V Dimming with 10W Integral Emergency Battery Backup	UE-D10-EMA⁷	GTD Device	-GTD
Insulation Contact		CCT		Control ¹		Emergency Options	
Non-IC	Blank	2700K (90 CRI)	-T27	DMX Dimming with input via XLR5	UE-DMXLR5	J-Box	
ICA Rated	ICA³	2700K (97 CRI)	-T27-C97	DMX Dimming with input via RJ45	UE-DMXRJ45	None	Blank
Airtight		3000K (90 CRI)	-T30	0%, DMX Dimming	-DMX	Junction Box	-JB
		3000K (97 CRI)	-T30-C97	Athena Wireless Node (120V)	-AWN	Junction Box (Chicago Plenum)	-JB-CHP
		3500K (90 CRI)	-T35	Athena Wireless Node	-AWN-OCC	Options	
		4000K (90 CRI)	-T40	Occupancy Sensor (120V)	-SUN-RMT⁵	None	Blank
		5000K (80 CRI)	-T50	UniSense - Remotely Mounted Motion/Photosensor (120V)	-SUN-RMT-1227⁵	4.5" Ceiling Thickness	-CT4
				UniSense - Remotely Mounted Motion/Photosensor			
				Casambi Wireless Dimming	-DCSM⁴		
				BubblyNet Wireless System	-DBNT⁴		
				Lutron Vive Wireless Dimming Module	-VIVE⁴		

¹ All drivers are 120V/277V unless otherwise noted.
² -347-D10 is not available for CRTR672LC10.
³ ICA is only available for CRTR672LC10, CRTR672LC13, and CRTR672LC20. (CRTR672LC26 and CRTR672LC35 are Non-IC rated.)
⁴ Special Order.
⁵ (-SUN-RMT) sensor sent with mounting clips for existing ceiling applications.
⁶ Check Wiring Diagrams.
⁷ UE-D10-EMA is not compatible with -EM or -EMAC or -EMAC347 or -GTD.

2025.12.03

SPECIFICATION

Application

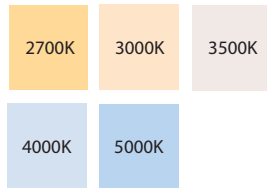
Architectural/Commercial-grade recessed (COB) Chip on Board Beam Control LED allows for concentrated high center beam candlepower.

Retrofit Mounting

Designed for use with existing 6" Architectural, Incandescent, Fluorescent, and Metal Halide Housings. Supplied with flexible metal conduit for connection to existing electrical junction box. Uses existing frame-in-kits mounting method via clips. Consult factory for special mounting methods.

Use the -JB Junction box option for remodel applications that don't have an existing housing frame or an electrical junction box close by. The retaining spring clips option allows for mounting to wood or gypsum board ceilings without the need of a frame.

Color Temperature (CCT)



Available in 2700K, 3000K, 3500K, 4000K, 90 CRI; 5000K 80 CRI; 2700K and 3000K, 97 CRI.

Binned with 2-step MacAdam Ellipses.

COLOR TEMP:	2700K	3000K	3500K	4000K	5000K
CRI:	90, 97	90, 97	90	90	80

Insulation Contact

(CRTR672LC10), (CRTR672LC13), and (CRTR672LC20) are inherently thermally protected for direct insulation contact without the need for an enclosure. (CRTR672LC26) and (CRTR672LC35) are Non-IC rated housings and must be kept 3" from loose-fill insulation.

Power Connection

Our LED lamp array is replaceable via our on board quick disconnect terminal. Meets CA Title 24 Requirements and other standards restricting the use of Medium Base or Bi-Pin Sockets.

Thermal Management

Heat dissipation facilitated by a large exposed integral aluminum heat sink to maximize heat dissipation in an open-air environment. The recommended ambient temperature should be below 35°C (95°F) to achieve a minimum L70 life of 50,000 hours according to the LM80 standard.

SPECIFICATION (Continued)

Reflector

Field adjustable twist and lock reflector is easily removable to provide quick access to LED lamp array. Optional reflector (-EMA) features integral EM switch for 10W emergency backup (UE-D10-EM).

Reflector Finish

The 1-piece, self-flanged, LED design provides a clean trim finish without a secondary trim ring. Heavy gauge aluminum reflector prevents ugly dents during shipping & installation. Deeply mounted singular LED provides 50° visual cutoff. Available in Satin Haze Reflector/White Finish, White Reflector/White Finish, All Black, Clear Specular Reflector/White Finish, and All Satin Haze.

Junction Box

16 gauge pre-wired aluminum Junction Box. 7 cubic-inch for a maximum of (4) #12 AWG wires. (2) 1/2" knock-outs. Remove covers for easy access and ground wire.

Certifications and Listings



cETLus listed to UL1598 and UL8750. Suitable for dry locations only. NYC approved: Calendar #41937. Conforms to City of Chicago Environmental Air CCEA-200 with Section 18-27-300.22 and special requirements Section 14-20-210C-4. Assembled in USA.

Caution

LITON recommends use of surge protectors on the power entering LED Housings. Surge damage is not covered by warranty. (+1KV). Fixtures must be grounded in accordance with national, state and/or local electrical codes. Failure to do so may result in serious personal injury.

SPECIFICATION (Continued)

Control Options

ELV and TRIAC Driver 120V (-DIN):

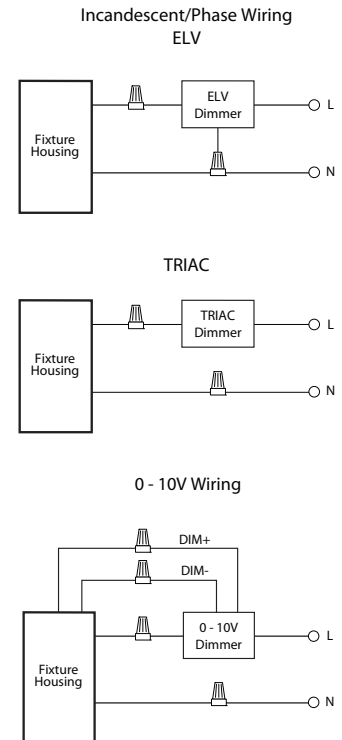
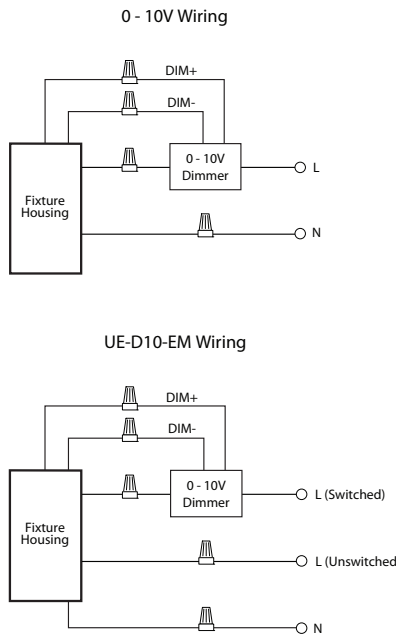
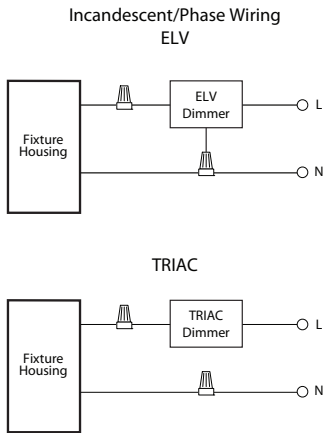
Compatible with electronic low voltage, and 2-Wire incandescent dimmers. Also known as leading edge, Reverse Phase, Forward Phase dimming. Allows smooth dimming down to 5% depending upon the dimmer's limitations.

0-10V Driver 120V/277V (UE-D10):

Compatible with most existing 0-10V systems. Also known as fluorescent or 5-Wire dimming. Allows smooth dimming down to 5% depending upon the dimmer's limitations. Compatible with daylight harvesting controls.

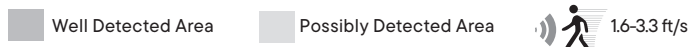
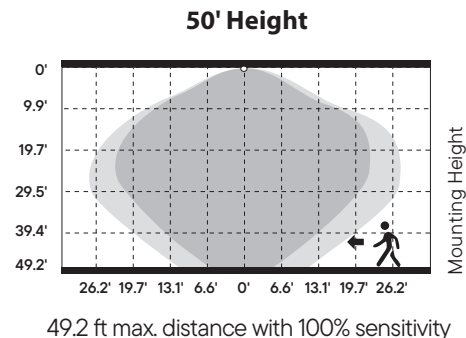
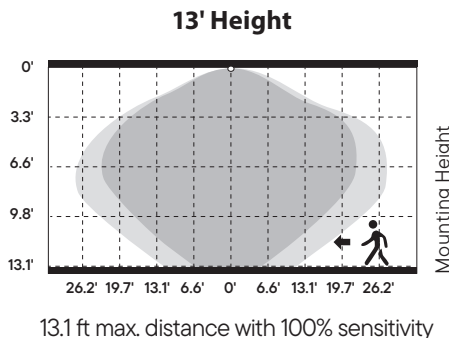
UniDim™ Driver 120V/277V (UE-DUN):

All in one ELV and TRIAC phase dimming (120V only), and 0-10V dimming (120V/277V). Works with most 3-Wire ELV, 2-Wire incandescent and 120V/277V 5-Wire 0-10V fluorescent dimmers.



Unisense™ PROGRAMMABLE MOTION + DAYLIGHT (-SUN-RMT, -SUN-RMT-1227)

- Microwave and PIR (Passive Infrared) sensors depending on option
- Daylight harvesting
- Dusk/dawn sensing capabilities
- Motion Sensor



SPECIFICATION (Continued)

Warranty

Covered by a 5-Year Warranty to be free of defects in materials and craftsmanship. Recommended for applications where ambient temperatures do not exceed 35°C (95°F), installations exceeding this temperature will result in reduced LED lamp life and a voided warranty.

Emergency Options

Emergency LED Battery Back-up available, remotely mounted adjacently by the installer. When AC power fails, the device immediately switches to the emergency mode, operating the LEDs for a minimum of 90 minutes. Remote test switch and plate cover included. Optional Generator Transfer Device switches the driver to auxiliary generator power during the loss of normal AC power, (recommended for applications requiring individual circuit switching).

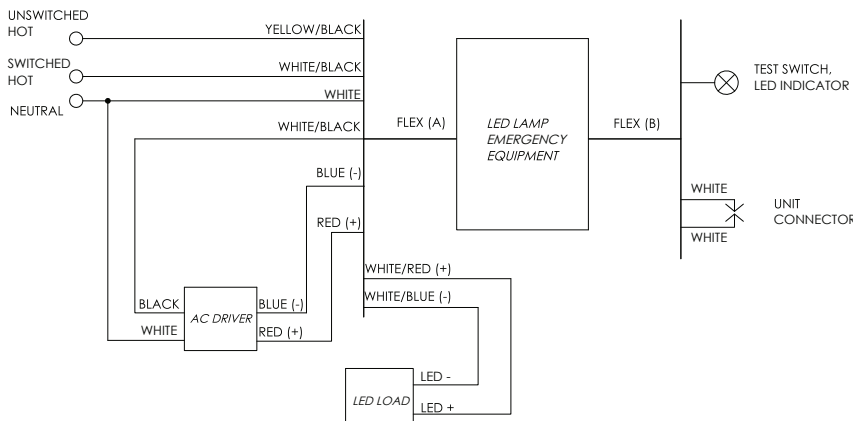
EMERGENCY BATTERY (-EM): 10W

- Must be installed in Dry Locations
- 10W constant output to LED lamp

Not rated for outdoor mounting. Damp location rated.

-EM Lumen Data (Battery)

Fixture/Trim	CRTR672LC10	Fixture/Trim	CRTR672LC13	Fixture/Trim	CRTR672LC20
Fixture Wattage:	10W	Fixture Wattage:	15W	Fixture Wattage:	20W
Fixture Lumens:	1000	Fixture Lumens:	1500	Fixture Lumens:	2100
Multiplier:	1	Multiplier:	0.67	Multiplier:	0.5
EM Lumens:	1000	EM Lumens:	1000	EM Lumens:	1050
Fixture/Trim	CRTR672LC26	Fixture/Trim	CRTR672LC35		
Fixture Wattage:	30W	Fixture Wattage:	44W		
Fixture Lumens:	2800	Fixture Lumens:	4000		
Multiplier:	0.33	Multiplier:	0.22		
EM Lumens:	920	EM Lumens:	880		



Input Voltage:	120-277VAC/60Hz
Output Voltage:	10W
Wattage:	10W
Switching Time:	<1s
Charging Time:	24h
Operating Time:	90 minutes
Minimum Temperature:	0°C
Maximum Temperature:	50°C
Self-Diagnostic:	No

SPECIFICATION (Continued)

FULL POWER EMERGENCY INVERTER (-EMAC or -EMAC347): 10W - 44W

- Must be installed in Dry Locations
- Wattage package will determine battery sent; corresponding wiring diagrams below
- 170 VDC output to AC DRIVER during EM mode

Not rated for outdoor mounting. Damp location rated.

-EMAC Lumen Data (Battery)

Fixture/Trim	CRTR672LC10
Fixture Wattage:	10W
Fixture Lumens:	1000
EM Lumens:	1000

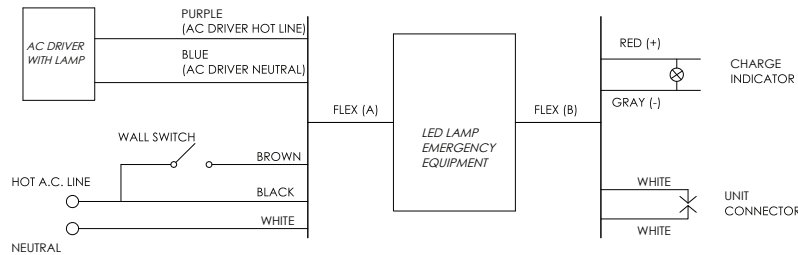
Fixture/Trim	CRTR672LC13
Fixture Wattage:	15W
Fixture Lumens:	1500
EM Lumens:	1500

Fixture/Trim	CRTR672LC20
Fixture Wattage:	20W
Fixture Lumens:	2100
EM Lumens:	2100

Fixture/Trim	CRTR672LC26
Fixture Wattage:	30W
Fixture Lumens:	2800
EM Lumens:	2800

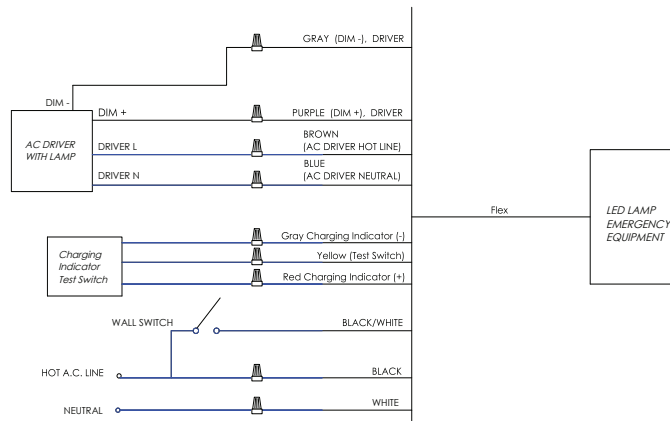
Fixture/Trim	CRTR672LC35
Fixture Wattage:	44W
Fixture Lumens:	4000
EM Lumens:	4000

<25W LOAD



Input Voltage:	120-277VAC/60Hz
Output Voltage:	170VDC (120VAC Equivalent)
Wattage:	25W
Switching Time:	<1s
Charging Time:	24h
Operating Time:	90 minutes
Minimum Temperature:	0°C
Maximum Temperature:	50°C
Self-Diagnostic:	No

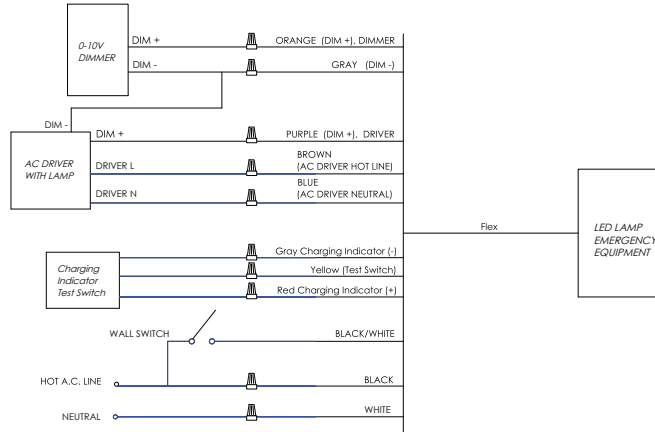
<40W LOAD



Input Voltage:	120-277VAC or 347VAC/60Hz
Output Voltage:	170VDC (120VAC Equivalent)
Wattage:	30W
Switching Time:	<1s
Charging Time:	24h
Operating Time:	90 minutes
Minimum Temperature:	0°C
Maximum Temperature:	50°C
Self-Diagnostic:	Yes

SPECIFICATION (Continued)

>40W LOAD



Input Voltage:	120-277VAC or 347VAC/60Hz
Output Voltage:	170VDC (120VAC Equivalent)
Wattage:	44W
Switching Time:	<1s
Charging Time:	24h
Operating Time:	90 minutes
Minimum Temperature:	0°C
Maximum Temperature:	50°C
Self-Diagnostic:	Yes

PHOTOMETRY - WALL WASH

CH6C10UE-D10_CR6LC72SW-T30 (1000lm, 10W, 3000K)

System Power: 9.3W
 Test Date: 07/2024
 Color Temperature: 2799K
 CRI: 95.1
 Lumens Delivered: 479
 CBCP: 300.7
 Power Factor: 0.99

MULTIPLIERS REFLECTOR FINISH

CW : 1.01
 SS : 0.99
SW : 1.00
 WW : 0.968

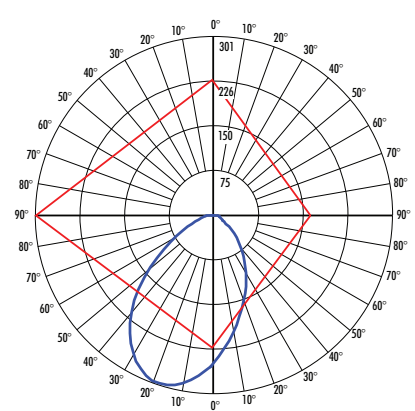
CCT

2700K : 0.94
3000K : 1.00
 3500K : 1.03
 4000K : 1.07

Lumens

1000lm : 1.00
 1500lm : 1.37
 2100lm : 1.93
 2800lm : 2.59
 4000lm : 3.70

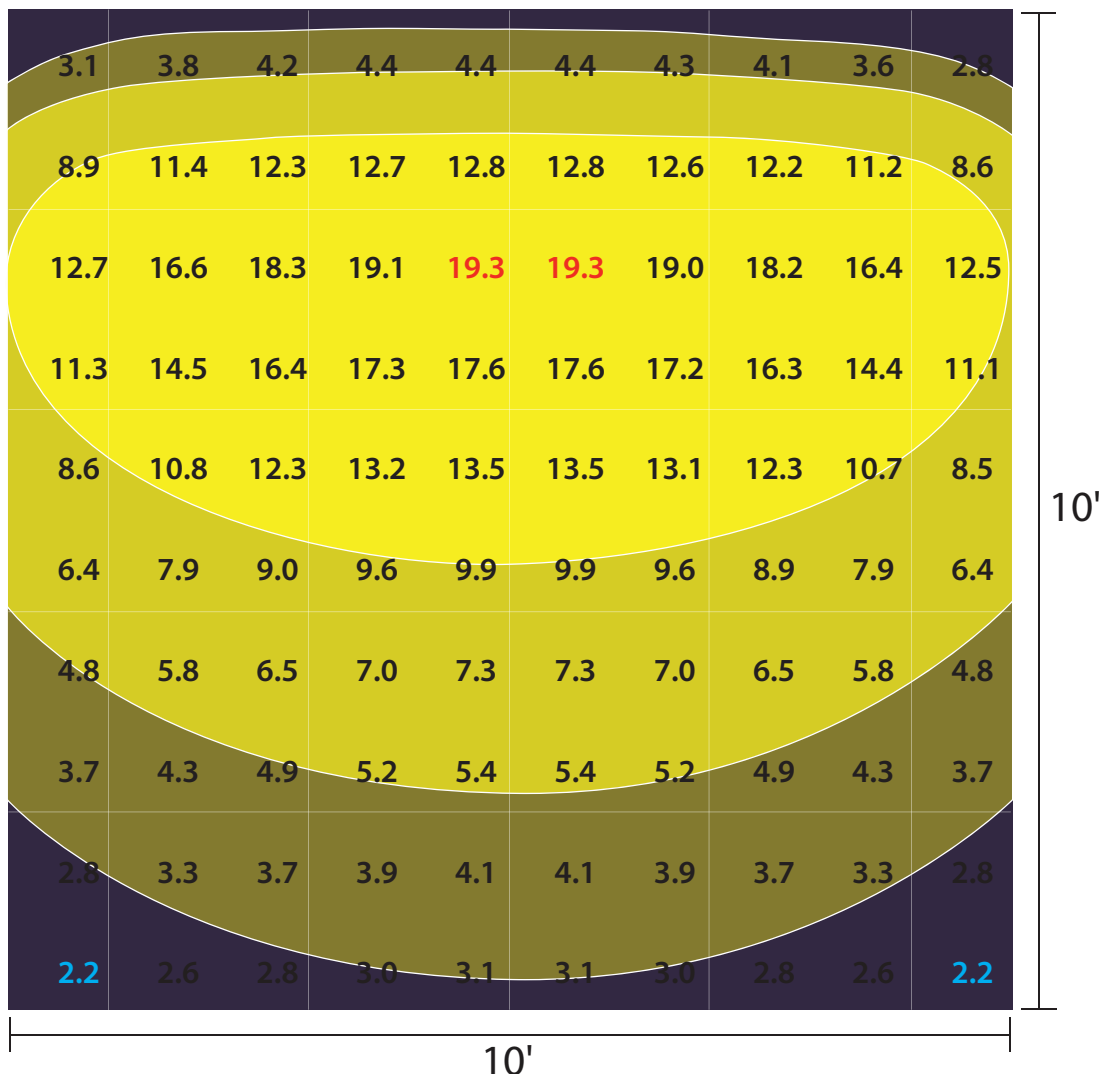
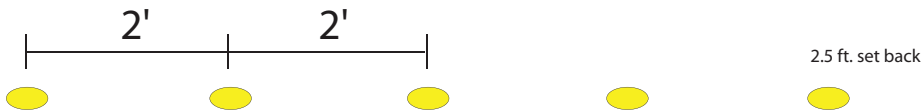
CANDELA TABULATION



PERFORMANCE DATA

LUMINAIRE SPACED 2.5' FROM WALL

Footcandles On Wall



2024.08.13