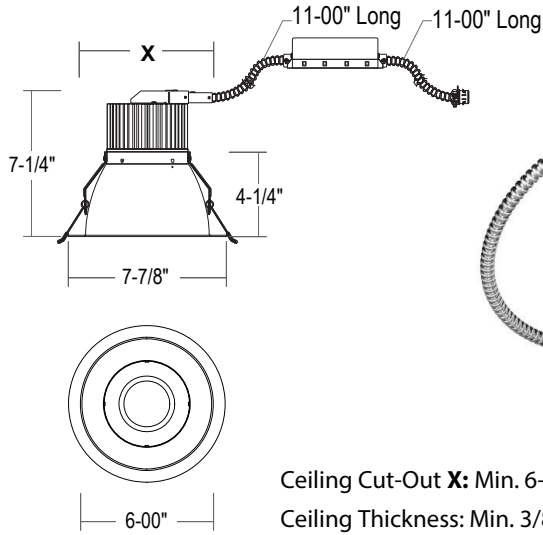
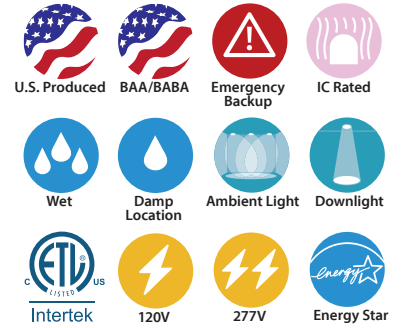


CRTR6L-USA - 6" C-SERIES

LED DOWNLIGHT RETROFIT/REMODEL 1500LM - 2500LM (10W-30W)



Ceiling Cut-Out **X**: Min. 6-5/8", Max. 7-1/8"
 Ceiling Thickness: Min. 3/8", Max. 1-1/2"

- **Produced in USA**
- 10W Emergency Battery Option
- New junction box option for remodels without frames
- Twist and lock reflector for quick access to LED lamp array
- Heavy-duty self-flanged reflector
- No visible screws or hardware

ORDERING : CRTR6L-USA08ICASWUE-D10-T30

CRTR6L-USAxx

Fixture/Lumens	Insulation Contact	Reflector Finish	Control	CCT	Emergency Options	J-Box	Options
Fixture/Lumens		Reflector Finish		CCT		J-Box	
1500lm (10W) CRTR6L-USA08		Satin Haze Reflector/ White Ring	SW	2700K (84 CRI)	-T27	None	Blank
1800lm (15W) CRTR6L-USA10				3000K (84 CRI)	-T30	Junction Box	-JB
2200lm (20W) CRTR6L-USA15		White Reflector/ White Ring	WW	3500K (84 CRI)	-T35	Junction Box (Chicago Plenum)	-JB-CHP
2500lm (30W) CRTR6L-USA22		All Black	BB	4000K (84 CRI)	-T40		
Insulation Contact		Clear Specular Reflector/White Ring	CW	5000K (84 CRI)	-T50	Options	
Non-IC	Blank	All Satin Haze	SS	Emergency Options		None	Blank
IC Rated/ Airtight	ICA¹	Control		None	Blank	4.5" Ceiling Thickness	-CT4
		Non-Dimming (120V)	Blank	10W Emergency Battery	-EM		
		TRIAC/ELV Dimming (120V)	-DIN				
		0-10V Dimming (120V/277V)	UE-D10				

¹ (ICA) is only available on CRTR6L-USA08, CRTR6L-USA10 and CRTR6L-USA15. (CRTR6L-USA22 are Non-IC Rated.)

COMPATABILITY

VR800
 Outdoor Vandal Resistant
 Ceiling/Wall Kit



P-CR672
 Wall Wash for 6"



SPECIFICATION

Application

Architectural/Commercial-grade recessed lensed LED retrofit/remodel downlight for low to high ceilings with existing open style frame.

Retrofit Mounting

Designed for use with existing 6" Architectural, Incandescent, Fluorescent, and Metal Halide Housings like LITON Brand LVH6, and LH600. Supplied with flexible metal conduit for connection to existing electrical junction box. Uses existing frame-in-kits mounting method via clips. Fits Lithonia LP6U, Lightolier 1102P1, Gotham 6" AFV (CJ00263) Frame using PST041 clips. Consult factory for special mounting methods. Free of burrs and sharp corners and edges.

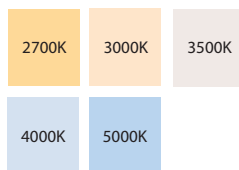
Use the -JB Junction box option for remodel applications that don't have an existing housing frame or an electrical junction box close by. The retaining spring clips option allows for mounting to wood or gypsum board ceilings without the need of a frame.

Control

(UE-D10) 0-10V dimming works with most 5-wire, 0-10V dimmers. Factory qualified for use with Leviton IP710-DLZ.

Power Factor shall be >90% at full load with THD <20% at full load. Electrical Output shall be isolated.

Color Temperature



Available in 2700K, 3000K, 3500K, 4000K and 5000K.

Insulation Contact

(CRTR6L-USA08), (CRTR6L-USA10) and (CRTR6L-USA15) are inherently thermally protected for direct insulation contact without the need for an enclosure. (CRTR6L-USA22) are Non-IC rated housing and must be kept 3" from loose-fill insulation.

Power Connection

LED lamp array is replaceable via on board quick disconnect terminal. Meets CA Title 24 requirements and other standards restricting the use of Medium Base or Bi-Pin sockets.

Thermal Management

Heat dissipation facilitated by a large exposed integral aluminum heat sink to maximize heat dissipation in an open-air environment. IC Option thermally engineered to ensure stated L70 LED life without the need for external box. The recommended ambient temperature should be below 35°C (95°F) to achieve a minimum L70 life of 50,000 hours according to the LM80 standard.

SPECIFICATION (Continued)**Reflector**

Field adjustable twist and lock reflector is easily removable to provide quick access to LED lamp array. Frosted polycarbonate lens pre-installed on reflector unifies diode sources and protects diodes from dust and particles from front of aperture.

Reflector Finish

1-piece, self-flanged, dual reflector LED design provides a clean trim finish without secondary trim ring. Heavy gauge aluminum reflector prevents ugly dents during shipping & installation. Deeply mounted singular LED provides 50° visual cutoff. Available in Satin Haze Reflector/White Finish, White Reflector/White Finish, All Black and Clear Specular Reflector White Ring.

Junction Box

(-JB) option is 18-gauge pre-wired aluminum Junction Box, 18 cubic-inch for a maximum of (6) #12AWG wires. Furnished with (2) 1/2" knockouts. Strain clamps to install or remove covers for easy access and ground wire. (-JB-CHP) option is Chicago Plenum, air-tight Junction Box.

Airflow

IC-Rated/Airtight (ICA) reflector design is designed to restrict air flow from room into plenums in compliance to the WSEC - Washington State Energy Code, (Less than 2.0 CFM -Cubic Feet per Minute).

Certifications and Listings

cETLus listed to UL1598 and UL8750. Suitable for dry, damp, and wet locations. NYC approved. Calendar #41937. Conforms to City of Chicago Environmental Air CCEA-200 with Section 18-27-300.22 and special requirements Section 14-20-210C-4. Meets NFPA 70/NEC Code on Listings.

Caution

LITON recommends use of surge protectors on the power entering LED Housings. Surge damage is not covered by warranty. (+1KV). Fixtures must be grounded in accordance with national, state and/or local electrical codes. Failure to do so may result in serious personal injury.

Warranty

Covered by a 5-Year Warranty to be free of defects in materials and craftsmanship. Recommended for applications where ambient temperatures do not exceed 35°C (95°F), installations exceeding this temperature will result in reduced LED lamp life and a voided warranty.

Energy Star Qualified Items

/CRTR6L-USA22_-T30
/CRTR6L-USA22_-T35
/CRTR6L-USA22_-T40

SPECIFICATION (Continued)

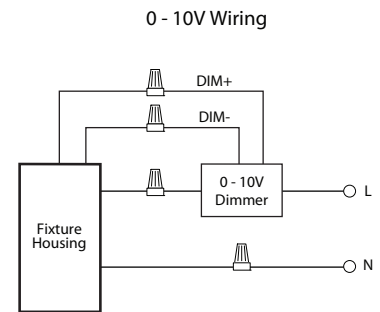
Emergency Options

Integral Emergency LED Battery Back-up available. When AC power fails, the device immediately switches to the emergency mode, operating the LEDs for a minimum of 90 minutes. Test switch mounted on reflector face. Optional Generator Transfer Device switches the driver to auxiliary generator power during the loss of normal AC power, (recommended for applications requiring individual circuit switching).

Control Options

0-10V Driver 120V/277V (UE-D10):

Compatible with most existing 0-10V systems. Also known as fluorescent or 5-Wire dimming. Allows smooth dimming down to 5% depending upon the dimmer's limitations. Compatible with daylight harvesting controls.



SPECIFICATION (Continued)

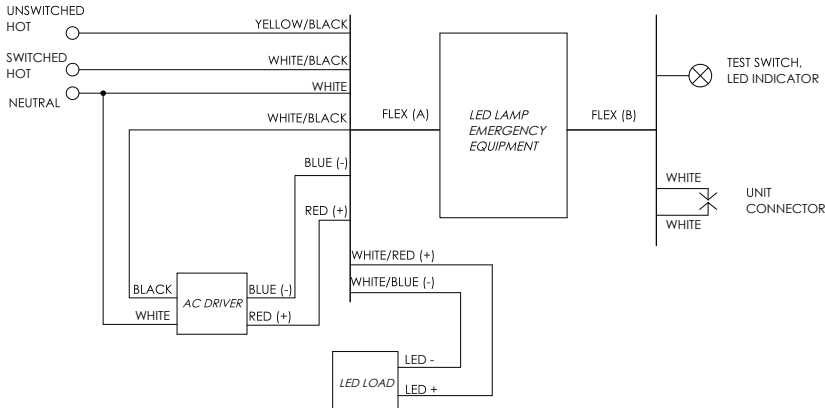
EMERGENCY BATTERY (-EM): 10W

- Must be installed in Dry Locations
- 10W constant output to LED lamp

Not rated for outdoor mounting. Damp location rated.

-EM Lumen Data (Battery)

Fixture/Trim	CRTR6L-USA08	Fixture/Trim	CRTR6L-USA10	Fixture/Trim	CRTR6L-USA15
Fixture Wattage:	10W	Fixture Wattage:	15W	Fixture Wattage:	20W
Fixture Lumens:	1500	Fixture Lumens:	1800	Fixture Lumens:	2200
Multiplier:	1	Multiplier:	0.67	Multiplier:	0.50
EM Lumens:	1500	EM Lumens:	1200	EM Lumens:	1100
Fixture/Trim	CRTR6L-USA22				
Fixture Wattage:	30W				
Fixture Lumens:	2500				
Multiplier:	0.33				
EM Lumens:	825				



Input Voltage:	120-277VAC/60Hz
Output Voltage:	10W
Wattage:	10W
Switching Time:	<1s
Charging Time:	24h
Operating Time:	90 minutes
Minimum Temperature:	0°C
Maximum Temperature:	50°C
Self-Diagnostic:	No