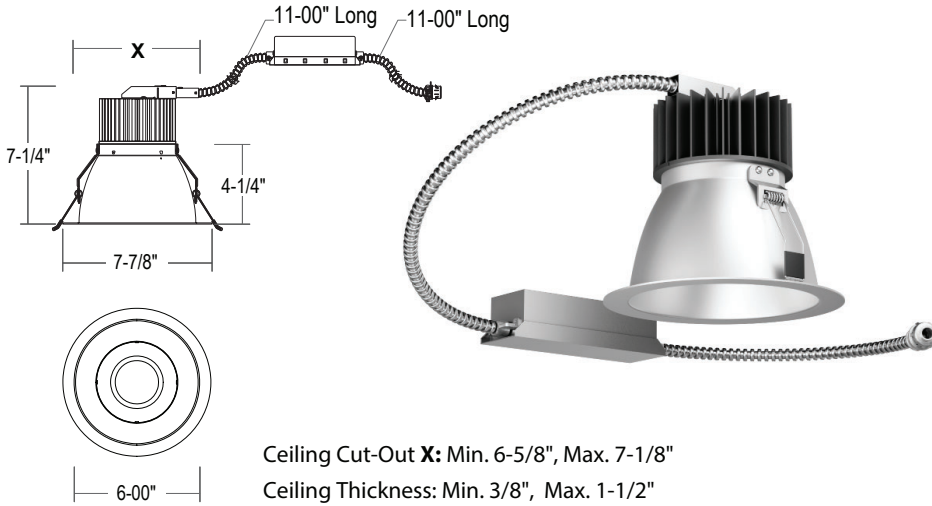
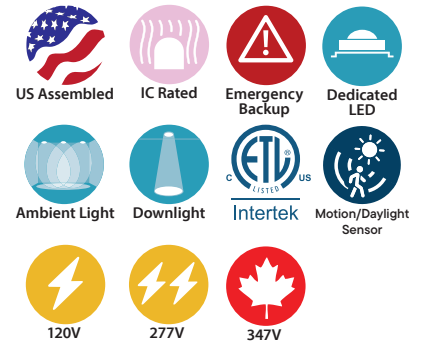


CRTR6LC : 6" C-SERIES

(COB) CHIP ON BOARD BEAM CONTROL LED, RETROFIT/REMODEL
 1000LM - 4000LM (10W-44W)



Ceiling Cut-Out **X**: Min. 6-5/8", Max. 7-1/8"
 Ceiling Thickness: Min. 3/8", Max. 1-1/2"



- Heavy-duty seamless die-cast reflector
- Assortment of dimming options
- COB LED design for concentrated high CBCP beam
- Multiple beam spreads for flexible beam control
- Twist and lock reflector for quick access to LED lamp array

ORDERING : CRTR6LC10SW-B30-T27UE-D10-JB-CHP

CRTR6LC		Insulation Contact	Reflector Finish	Beam Spread	CCT	Control	Emergency Options	J-Box	Options
Fixture/Lumens									
1000lm (10W)	CRTR6LC10		20° Spot	-B20	0-10V Dimming	UE-D10	None		Blank
1500lm (15W)	CRTR6LC13		30° Narrow Flood	-B30	UniDim™ 0-10V, TRIAC/ELV Dimming	UE-DUN	10W Emergency Battery		-EM
2100lm (20W)	CRTR6LC20		40° Flood	-B40	TRIAC/ELV Dimming (120V)	-DIN	Full Power Emergency Inverter		-EMAC⁶
2800lm (30W)	CRTR6LC26		60° Wide Flood	-B60	Lutron Hi-Lume	UE-DHL	Full Power Emergency Inverter (347V)		-EMAC347⁶
4000lm (44W)	CRTR6LC35		75° Very Wide Flood	-B75	0-10V Dimming (347V)	-347-D10²	GTD Device		-GTD
Insulation Contact		CCT							
Non-IC	Blank	2700K (90 CRI)		-T27	0-10V Dimming with 10W Integral Emergency Battery Backup	UE-D10-EMA⁵			
ICA Rated	ICA⁴	2700K (97 CRI)		-T27-C97	DMX Dimming with input via XLR5	UE-DMXLR5	J-Box		
Airtight		3000K (90 CRI)		-T30	DMX Dimming with input via RJ45	UE-DMXRJ45	None	Blank	
Reflector Finish		3000K (97 CRI)		-T30-C97	0%, DMX Dimming	-DMX	Junction Box	-JB	
Satin Haze Reflector/ White Ring	SW	3500K (90 CRI)		-T35	Athena Wireless Node (120V)	-AWN	Junction Box (Chicago Plenum)	-JB-CHP	
White Reflector/ White Ring	WW	4000K (90 CRI)		-T40	Athena Wireless Node Occupancy Sensor (120V)	-AWN-OCC	Options		
All Black	BB	5000K (80 CRI)		-T50	UniSense - Remotely Mounted Motion/Photosensor (120V)	-SUN-RMT⁸	None	Blank	
Clear Specular Reflector/White Ring	CW³				UniSense - Remotely Mounted Motion/Photosensor	-SUN-RMT-1227⁸	4.5" Ceiling Thickness	-CT4	
All Satin Haze	SS				Casambi Wireless Dimming	-DCSM⁷			
					BubblyNet Wireless System	-DBNT⁷			
					Lutron Vive Wireless Dimming Module	-VIVE⁷			

¹ All drivers are 120V/277V unless otherwise noted.

² -347-D10 is not available for CRTR6LC10.

³ Clear finish reflector not recommended for placing close to vertical surfaces. Uneven striations may be visible.

⁴ (ICA) is only available for CRTR6LC10, CRTR6LC13, CRTR6LC20, and CRTR6LC26. (CRTR6LC35 are Non-IC rated.)

⁵ UE-D10-EMA is not compatible with -EM or -EMAC or -EMAC347 or -GTD

⁶ Check Wiring Diagrams.

⁷ Special Order.

⁸ (-SUN-RMT) sensor sent with mounting clips for existing ceiling applications.

COMPATABILITY



VR800
 Outdoor Vandal Resistant Ceiling/Wall Kit



P-CR672SW
 Wall Wash for 6"



CR6-GSKT
 6" Commercial Self-Adhesive Gasket

SPECIFICATION

Application

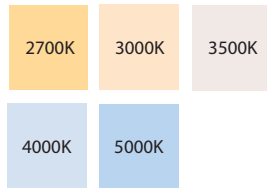
Architectural/Commercial-grade recessed (COB) Chip on Board Beam Control LED allows for concentrated high center beam candlepower. Twist and lock TIR beam control optic is designed for easy field replacement of 20°, 30°, 40°, 60°, and 75° beam spread options.

Retrofit Mounting

Designed for use with existing 6" Architectural, Incandescent, Fluorescent, and Metal Halide Housings. Supplied with flexible metal conduit for connection to existing electrical junction box. Uses existing frame-in-kits mounting method via clips. Consult factory for special mounting methods.

Use the -JB Junction box option for remodel applications that don't have an existing housing frame or an electrical junction box close by. The retaining spring clips option allows for mounting to wood or gypsum board ceilings without the need of a frame.

Color Temperature (CCT)



Available in 2700K, 3000K, 3500K, 4000K, 90 CRI; 5000K 80 CRI; 2700K and 3000K, 97 CRI.

Binned with 2-step MacAdam Ellipses.

COLOR TEMP:	2700K	3000K	3500K	4000K	5000K
CRI:	90, 97	90, 97	90	90	80

Insulation Contact

(CRTR6LC10), (CRTR6LC13), (CRTR6LC20), and (CRTR6LC26) are inherently thermally protected for direct insulation contact without the need for an enclosure. (CRTR6LC35) are Non-IC rated housings and must be kept 3" from loose-fill insulation.

Power Connection

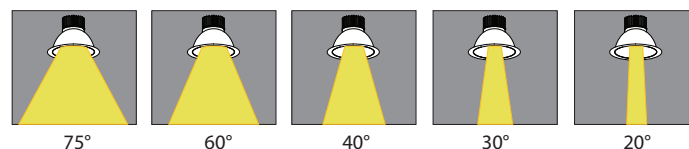
Our LED lamp array is replaceable via our on board quick disconnect terminal. Meets CA Title 24 Requirements and other standards restricting the use of Medium Base or Bi-Pin Sockets.

Thermal Management

Heat dissipation facilitated by a large exposed integral aluminum heat sink to maximize heat dissipation in an open-air environment. The recommended ambient temperature should be below 35°C (95°F) to achieve a minimum L70 life of 50,000 hours according to the LM80 standard.

Optics

Multifaceted aluminum reflectors produces low glare illumination with multiple light control options.



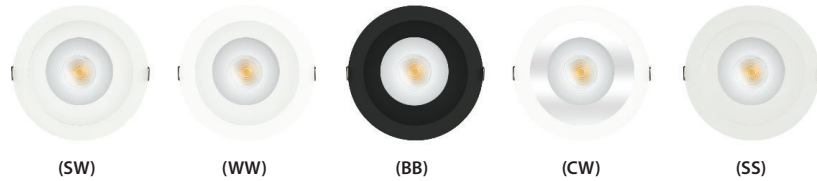
SPECIFICATION (Continued)

Reflector

Field adjustable twist and lock reflector is easily removable to provide quick access to LED lamp array. Optional reflector (-EMA) features integral EM switch for 10W emergency backup (UE-D10-EM).

Reflector Finish

The 1-piece, self-flanged, LED design provides a clean trim finish without a secondary trim ring. Heavy gauge aluminum reflector prevents ugly dents during shipping & installation. Deeply mounted singular LED provides 50° visual cutoff. Available in Satin Haze Reflector/White Finish, White Reflector/White Finish, All Black, Clear Specular Reflector/White Finish, and All Satin Haze.



Junction Box

16 gauge pre-wired aluminum Junction Box. 7 cubic-inch for a maximum of (4) #12 AWG wires. (2) 1/2" knock-outs. Remove covers for easy access and ground wire.

Certifications and Listings



cETLus listed to UL1598 and UL8750. Suitable for dry locations only. NYC approved: Calendar #41937. Conforms to City of Chicago Environmental Air CCEA-200 with Section 18-27-300.22 and special requirements Section 14-20-210C-4. Assembled in USA.

Caution

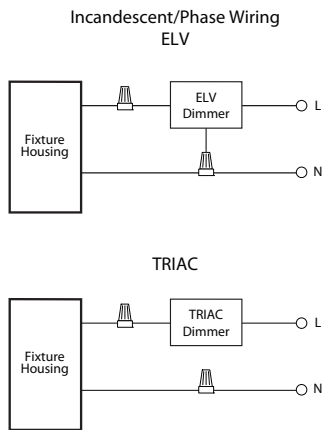
LITON recommends use of surge protectors on the power entering LED Housings. Surge damage is not covered by warranty. (+1KV). Fixtures must be grounded in accordance with national, state and/or local electrical codes. Failure to do so may result in serious personal injury.

SPECIFICATION (Continued)

Control Options

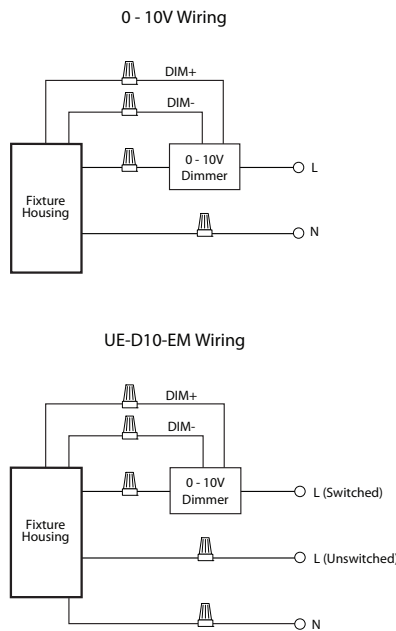
ELV and TRIAC Driver 120V (-DIN):

Compatible with electronic low voltage, and 2-Wire incandescent dimmers. Also known as leading edge, Reverse Phase, Forward Phase dimming. Allows smooth dimming down to 5% depending upon the dimmer's limitations.



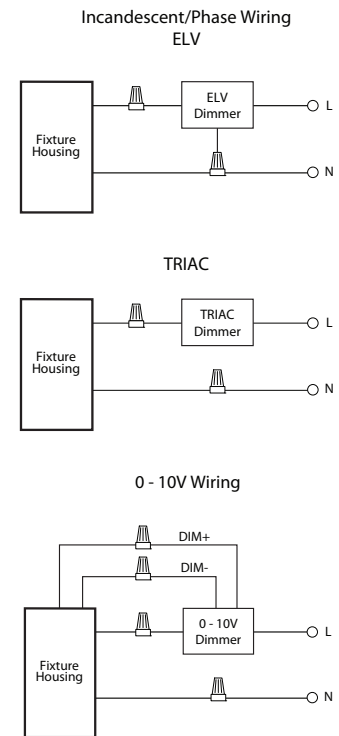
0-10V Driver 120V/277V (UE-D10):

Compatible with most existing 0-10V systems. Also known as fluorescent or 5-Wire dimming. Allows smooth dimming down to 5% depending upon the dimmer's limitations. Compatible with daylight harvesting controls.



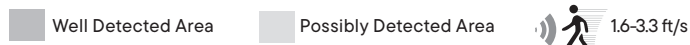
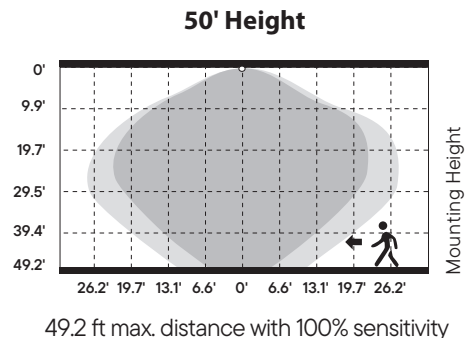
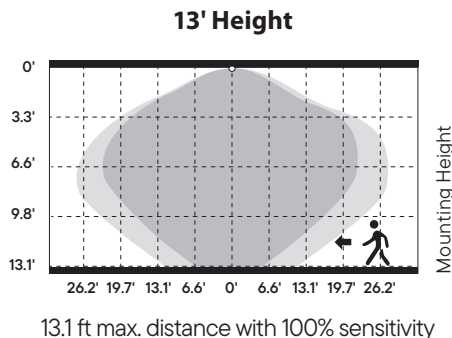
UniDim™ Driver 120V/277V (UE-DUN):

All in one ELV and TRIAC phase dimming (120V only), and 0-10V dimming (120V/277V). Works with most 3-Wire ELV, 2-Wire incandescent and 120V/277V 5-Wire 0-10V fluorescent dimmers.



Unisense™ PROGRAMMABLE MOTION + DAYLIGHT (-SUN-RMT, -SUN-RMT-1227)

- Microwave and PIR (Passive Infrared) sensors depending on option
- Daylight harvesting
- Dusk/dawn sensing capabilities
- Motion Sensor



SPECIFICATION (Continued)

Warranty

Covered by a 5-Year Warranty to be free of defects in materials and craftsmanship. Recommended for applications where ambient temperatures do not exceed 35°C (95°F), installations exceeding this temperature will result in reduced LED lamp life and a voided warranty.

Emergency Options

Emergency LED Battery Back-up available, remotely mounted adjacently by the installer. When AC power fails, the device immediately switches to the emergency mode, operating the LEDs for a minimum of 90 minutes. Remote test switch and plate cover included. Optional Generator Transfer Device switches the driver to auxiliary generator power during the loss of normal AC power, (recommended for applications requiring individual circuit switching).

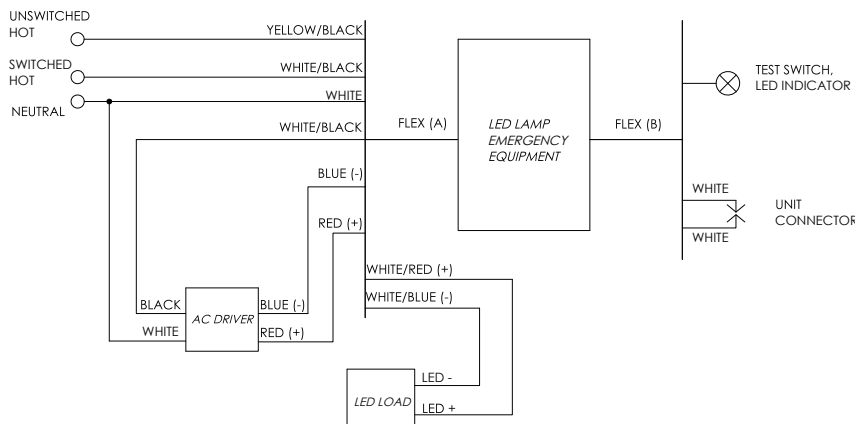
EMERGENCY BATTERY (UE-D10 -EM): 10W

- Must be installed in Dry Locations
- 10W constant output to LED lamp

Not rated for outdoor mounting. Damp location rated.

-EM Lumen Data (Battery)

Fixture/Trim	CRTR6LC10	Fixture/Trim	CRTR6LC13	Fixture/Trim	CRTR6LC20
Fixture Wattage:	10W	Fixture Wattage:	15W	Fixture Wattage:	20W
Fixture Lumens:	1000	Fixture Lumens:	1500	Fixture Lumens:	2100
Multiplier:	1	Multiplier:	0.67	Multiplier:	0.5
EM Lumens:	1000	EM Lumens:	1000	EM Lumens:	1050
Fixture/Trim	CRTR6LC26	Fixture/Trim	CRTR6LC35		
Fixture Wattage:	30W	Fixture Wattage:	44W		
Fixture Lumens:	2800	Fixture Lumens:	4000		
Multiplier:	0.33	Multiplier:	0.26		
EM Lumens:	920	EM Lumens:	1040		



Input Voltage:	120-277VAC/60Hz
Output Voltage:	10W
Wattage:	10W
Switching Time:	<3s
Charging Time:	12h
Operating Time:	90 minutes
Minimum Temperature:	0°C
Maximum Temperature:	48°C
Self-Diagnostic:	Yes

SPECIFICATION (Continued)

FULL POWER EMERGENCY INVERTER (-EMAC or -EMAC347): 10W - 44W

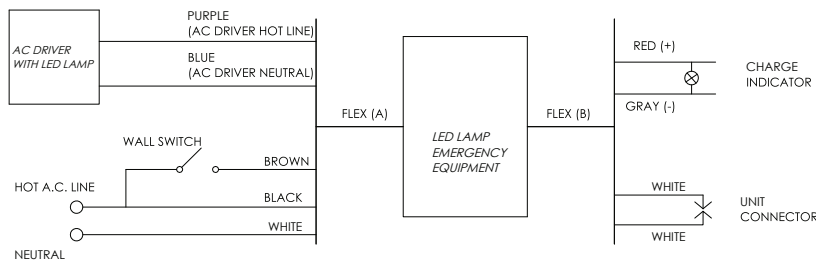
- Must be installed in Dry Locations
- Wattage package will determine battery sent; corresponding wiring diagrams below
- 170 VDC output to AC DRIVER during EM mode

Not rated for outdoor mounting. Damp location rated.

-EMAC Lumen Data (Battery)

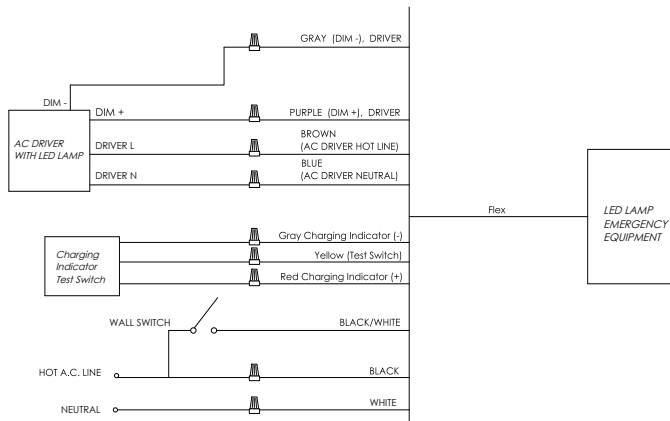
Fixture/Trim	CRTR6LC10	Fixture/Trim	CRTR6LC13	Fixture/Trim	CRTR6LC20
Fixture Wattage:	10W	Fixture Wattage:	15W	Fixture Wattage:	20W
Fixture Lumens:	1000	Fixture Lumens:	1500	Fixture Lumens:	2100
EM Lumens:	1000	EM Lumens:	1500	EM Lumens:	2100
Fixture/Trim	CRTR6LC26	Fixture/Trim	CRTR6LC35		
Fixture Wattage:	30W	Fixture Wattage:	44W		
Fixture Lumens:	2800	Fixture Lumens:	4000		
EM Lumens:	2800	EM Lumens:	4000		

<25W LOAD



Input Voltage:	120-277VAC/60Hz
Output Voltage:	170VDC (120VAC Equivalent)
Wattage:	25W
Switching Time:	<1s
Charging Time:	24h
Operating Time:	90 minutes
Minimum Temperature:	0°C
Maximum Temperature:	50°C
Self-Diagnostic:	No

<40W LOAD

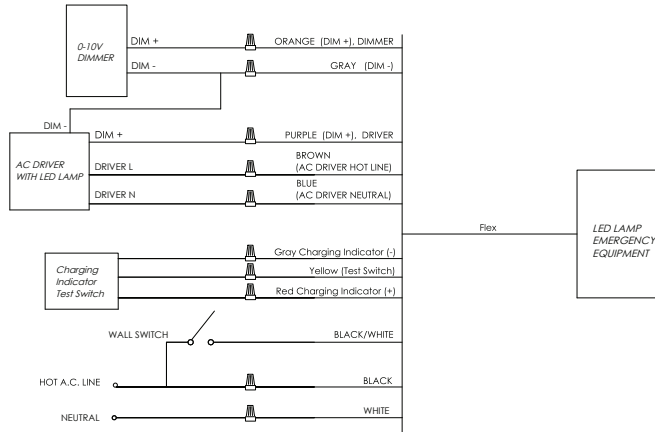


Input Voltage:	120-277VAC or 347VAC/60Hz
Output Voltage:	170VDC (120VAC Equivalent)
Wattage:	40W
Switching Time:	<1s
Charging Time:	24h
Operating Time:	90 minutes
Minimum Temperature:	0°C
Maximum Temperature:	50°C
Self-Diagnostic:	Yes

SPECIFICATION (Continued)

>40W LOAD

- 0-10V dimmable driver required

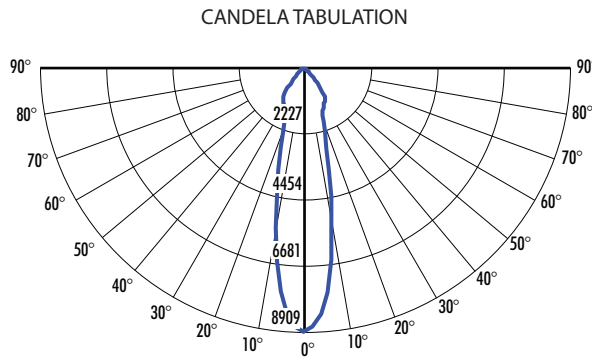


Input Voltage:	120-277VAC or 347VAC/60Hz
Output Voltage:	170VDC (120VAC Equivalent)
Wattage:	44W
Switching Time:	<1s
Charging Time:	24h
Operating Time:	90 minutes
Minimum Temperature:	0°C
Maximum Temperature:	50°C
Self-Diagnostic:	Yes

PHOTOMETRY

CRTR6LC35SW-B20-T35UE-D10 (4000lm, 40W, 20°, 3500K)

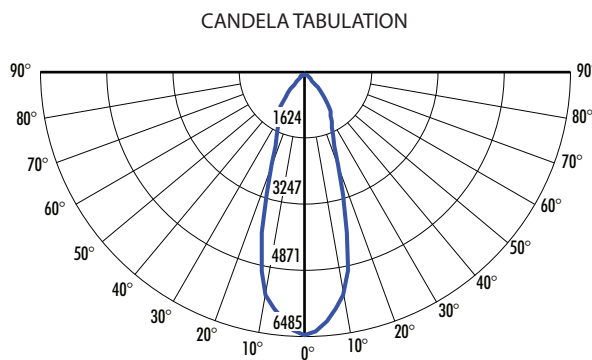
System Power:	43W	MULTIPLIERS
Test Date:	10/2023	REFLECTOR FINISH
Beam Angle 50%:	24.1°	CW : 1.01
Field Angle 10%:	79.4°	SS : 0.99
Color Temperature:	3408K	SW : 1.00
CRI:	94.3	WW : 0.968
Lumens Delivered:	3754	CCT
CBCP:	8908.5	2700K : 0.91
Power Factor:	0.99	3000K : 0.97
		3500K : 1.00
		4000K : 1.04
		Lumens
		1000lm: 0.27
		1500lm: 0.37
		2100lm: 0.52
		2800lm: 0.70
		4000lm: 1.00



Height	Beam Diameter	FC
8.0'	3.42'	139.20
10.0'	4.27'	89.09
12.0'	5.12'	61.86
14.0'	5.98'	45.45
16.0'	6.83'	34.80

CRTR6LC35SW-B30-T35UE-D10 (4000lm, 40W, 30°, 3500K)

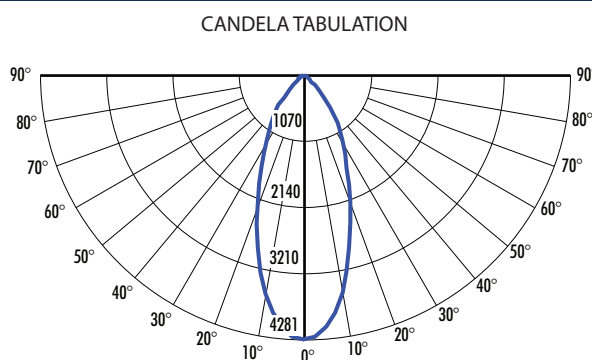
System Power:	43W	MULTIPLIERS
Test Date:	10/2023	REFLECTOR FINISH
Beam Angle 50%:	34.4°	CW : 1.01
Field Angle 10%:	83.4°	SS : 0.99
Color Temperature:	3378K	SW : 1.00
CRI:	94.5	WW : 0.968
Lumens Delivered:	3799	CCT
CBCP:	6494.6	2700K : 0.91
Power Factor:	0.99	3000K : 0.97
		3500K : 1.00
		4000K : 1.04
		Lumens
		1000lm: 0.27
		1500lm: 0.37
		2100lm: 0.52
		2800lm: 0.70
		4000lm: 1.00



Height	Beam Diameter	FC
8.0'	4.95'	101.48
10.0'	6.19'	64.95
12.0'	7.43'	45.10
14.0'	9.91'	33.14
16.0'	11.14'	25.37

CRTR6LC35SW-B40-T35UE-D10 (4000lm, 40W, 40°, 3500K)

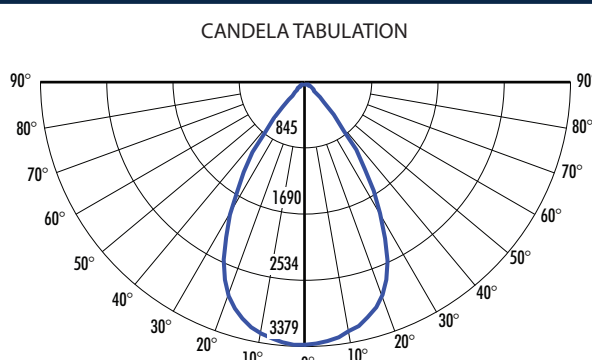
System Power:	43W	MULTIPLIERS
Test Date:	10/2023	REFLECTOR FINISH
Beam Angle 50%:	41.0°	CW : 1.01
Field Angle 10%:	87.1°	SS : 0.99
Color Temperature:	3262K	SW : 1.00
CRI:	94.1	WW : 0.968
Lumens Delivered:	3008	CCT
CBCP:	4280.6	2700K : 0.91
Power Factor:	0.99	3000K : 0.97
		3500K : 1.00
		4000K : 1.04
		Lumens
		1000lm: 0.26
		1500lm: 0.37
		2100lm: 0.52
		2800lm: 0.71
		4000lm: 1.00



Height	Beam Diameter	FC
8.0'	5.98'	66.88
10.0'	7.48'	42.81
12.0'	8.97'	29.73
14.0'	10.47'	21.84
16.0'	11.96'	16.72

CRTR6LC35SW-B60-T35UE-D10 (4000lm, 40W, 60°, 3500K)

System Power:	43W	MULTIPLIERS
Test Date:	10/2023	REFLECTOR FINISH
Beam Angle 50%:	64.3°	CW : 1.01
Field Angle 10%:	92.8°	SS : 0.99
Color Temperature:	3297K	SW : 1.00
CRI:	94.1	WW : 0.968
Lumens Delivered:	3779	CCT
CBCP:	3379.2	2700K : 0.91
Power Factor:	0.99	3000K : 0.97
		3500K : 1.00
		4000K : 1.04
		Lumens
		1000lm: 0.27
		1500lm: 0.37
		2100lm: 0.53
		2800lm: 0.70
		4000lm: 1.00



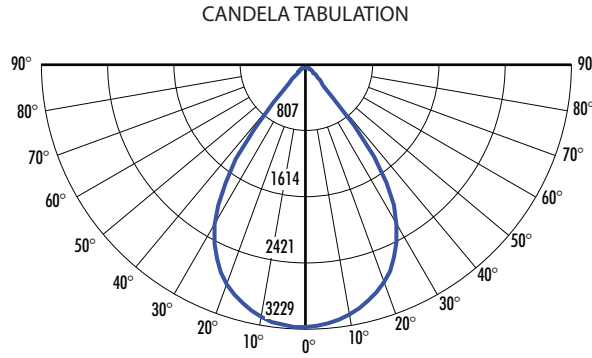
Height	Beam Diameter	FC
8.0'	10.06'	52.80
10.0'	12.57'	33.79
12.0'	15.08'	23.47
14.0'	17.60'	17.24
16.0'	20.11'	13.20

2024.02.02

PHOTOMETRY (Continued)

CRTR6LC35SW-B75-T35UE-D10 (4000lm, 40W, 75°, 3500K)

System Power:	43W	MULTIPLIERS
Test Date:	10/2023	REFLECTOR FINISH
Beam Angle 50%:	71.8°	CW : 1.01
Field Angle 10%:	92.9°	SS : 0.99
Color Temperature:	3346K	SW : 1.00
CRI:	94.3	WW : 0.968
Lumens Delivered:	3994	CCT
CBCP:	3228.7	2700K : 0.91
Power Factor:	0.99	3000K : 0.97
		3500K : 1.00
		4000K : 1.04
		Lumens
		1000lm: 0.27
		1500lm: 0.37
		2100lm: 0.53
		2800lm: 0.70
		4000lm: 1.00



FOOTCANDLE DISTRIBUTION		
Height	Beam Diameter	FC
8.0'	11.58'	50.45
10.0'	14.48'	32.29
12.0'	17.37'	22.42
14.0'	20.27'	16.47
16.0'	23.16'	12.61

2024.02.02