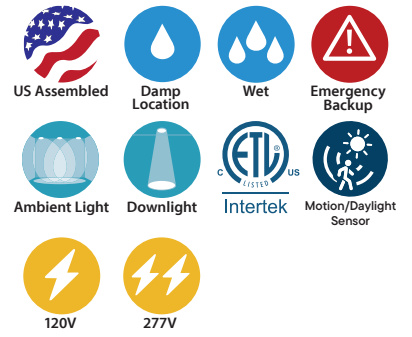
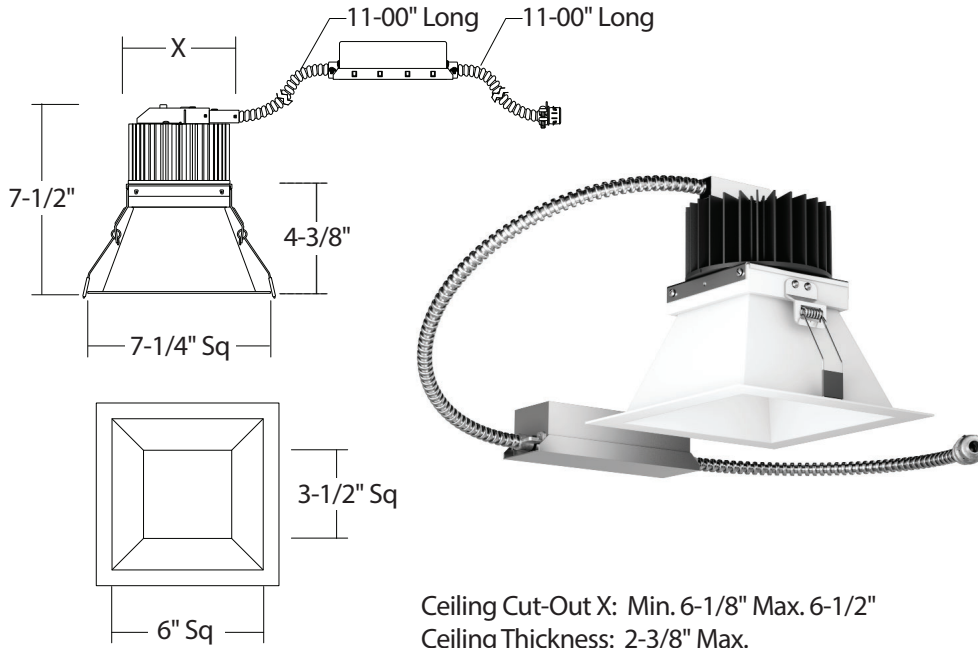


CRTR6QLS : 6" C-SERIES

SQUARE LUMEN/COLORSELECT RETROFIT/REMODEL
 1300LM - 3700LM (17W-55W)



- Three LumenSelect options up to 2000lm, 3300lm, or 3700lm
- ColorSelect 3000K, 3500K, 4000K (84CRI) switch
- Twist and lock reflector for quick access to LED lamp array
- Heavy-duty seamless die-cast reflector
- Soft even lumen distribution
- No visible screws or hardware

ORDERING : CRTR6QLS1320SWUE-D10-TS354

CRTR6QLSxxx

| Fixture/Lumens | Insulation Contact | Reflector Finish | Control | Emergency Options | ColorSelect | Junction Box |
|---|--|---|--|--|--|---|
| Fixture/Lumens 1300lm (17W) CRTR6QLS1320 1700lm (22W) 2000lm (28W) 2300lm (30W) CRTR6QLS2333 2800lm (39W) 3300lm (48W) 2700lm (35W) CRTR6QLS2737 3200lm (45W) 3700lm (55W) | Insulation Contact Non-IC Blank IC Rated/Airtight ICA² | Reflector Finish Satin Haze Reflector/ White Ring SW White Reflector/ White Ring WW All Black BB All Satin Haze SS | Control¹ 0-10V Dimming Athena Wireless Node (120V) Athena Wireless Node Occupancy Sensor (120V) UniSense - Remotely Mounted Motion/ Photosensor (120V) UniSense - Remotely Mounted Motion/ Photosensor Casambi Wireless Dimming BubbyNet Wireless System Lutron Vive Wireless Dimming Module | Emergency Options None 10W Emergency Battery Full Power Emergency Inverter Full Power Emergency Inverter (347V) GTD Device ColorSelect ColorSelect 3000K, 3500K, 4000K (84CRI) | ColorSelect UE-D10 -AWN -AWN-OCC -SUN-RMT⁵ -SUN-RMT-1227⁵ -DCSM⁴ -DBNT⁴ -VIVE⁴ | Junction Box None Blank Junction Box -JB Junction Box (Chicago Plenum) -JB-CHP |

¹ All drivers are 120V/277V unless otherwise noted.
² (ICA) is only available on 1300lm (17W), and 1700lm (22W). (CRTR6QLS1320 2000lm (28W), CRTR6QLS2333, and CRTR6QLS2737 are Non-IC Rated.)
³ Check Wiring Diagrams.
⁴ Special Order.
⁵ (-SUN-RMT) sensor sent with mounting clips for existing ceiling applications.

2025.04.09

SPECIFICATION

Application

Architectural/Commercial-grade recessed lensed Surface-Mounted Device (SMD) LED retrofit/remodel downlight with Lumen/ColorSelect switches offers added flexibility for optimal light output and ambience in commercial and architectural spaces with medium to high ceilings

Retrofit Mounting

Designed for use with existing 6" Architectural, Incandescent, Fluorescent, and Metal Halide Housings. Supplied with flexible metal conduit for connection to existing electrical junction box. Uses existing frame-in-kits mounting method via clips. Consult factory for special mounting methods.

Use the -JB Junction box option for remodel applications that don't have an existing housing frame or an electrical junction box close by. The retaining spring clips option allows for mounting to wood or gypsum board ceilings without the need of a frame.

Color Temperature (CCT)



Available in 3000K, 3500K and 4000K in 84 CRI.

Insulation Contact

CRTR6QLS1320 set to 17W (1300lm) or 22W (1700lm) are inherently thermally protected for direct insulation contact without the need for an enclosure. (CRTR6QLS1320 2000lm (28W), CRTR6QLS2333, and CRTR6QLS2737) are Non-IC rated housings and must be kept 3" from loose-fill insulation.

Power Connection

LED lamp array is replaceable via on board quick disconnect terminal. Meets CA Title 24 requirements and other standards restricting the use of Medium Base or Bi-Pin sockets.

Thermal Management

Heat dissipation facilitated by a large exposed integral aluminum heat sink to maximize heat dissipation in an open-air environment. The recommended ambient temperature should be below 35°C (95°F) to achieve a minimum L70 life of 50,000 hours according to the LM80 standard.

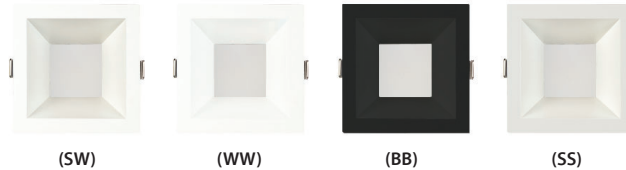
Reflector

Field adjustable twist and lock reflector is easily removable to provide quick access to LED lamp array. Frosted polycarbonate lens pre-installed on reflector unifies diode sources and protects diodes from dust and particles from front of aperture.

SPECIFICATION (Continued)

Reflector Finish

1-piece, self-flanged, dual reflector LED design provides a clean trim finish without secondary trim ring. Heavy gauge aluminum reflector prevents ugly dents during shipping & installation. Deeply mounted singular LED provides 50° visual cutoff. Available in Satin Haze Reflector/White Finish, White Reflector/White Finish, All Black.



Junction Box

16 gauge pre-wired aluminum Junction Box. 7 cubic-inch for a maximum of (4) #12 AWG wires. (2) 1/2" knock-outs. Remove covers for easy access and ground wire.

Airflow

IC-Rated/Airtight (ICA) reflector design is designed to restrict air flow from room into plenums in compliance to the WSEC - Washington State Energy Code, (Less than 2.0 CFM -Cubic Feet per Minute).

Certifications and Listings



cETLus listed to UL1598 and UL8750. Suitable for dry, damp, and wet locations. NYC approved: Calendar #41937. Conforms to City of Chicago Environmental Air CCEA-200 with Section 18-27-300.22 and special requirements Section 14-20-210C-4. Assembled in USA..

Caution

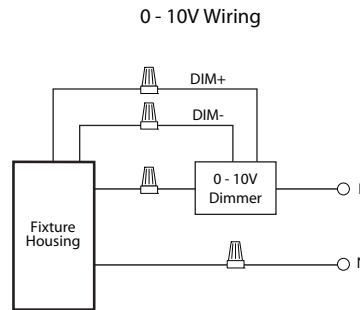
LITON recommends use of surge protectors on the power entering LED Housings. Surge damage is not covered by warranty. (+1KV). Fixtures must be grounded in accordance with national, state and/or local electrical codes. Failure to do so may result in serious personal injury.

SPECIFICATION (Continued)

Dimming Options

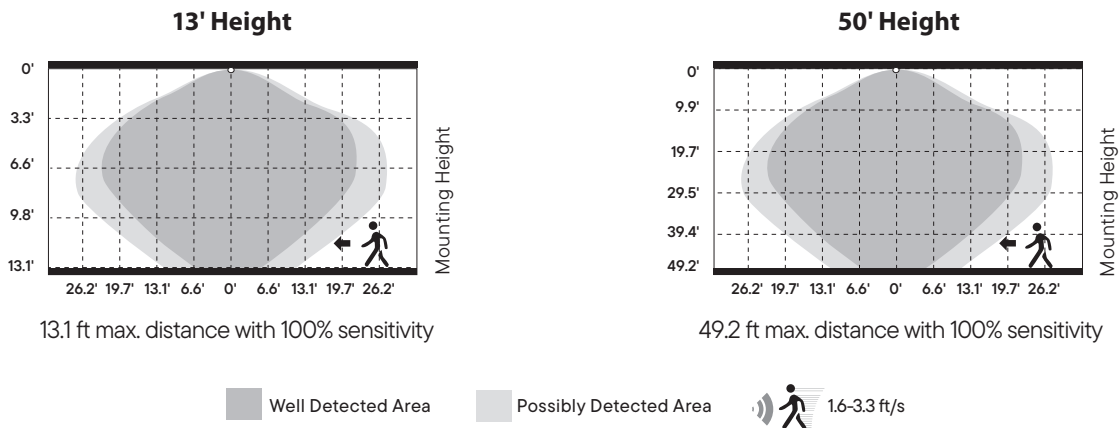
0-10V Driver 120V/277V (UE-D10):

Compatible with most existing 0-10V systems. Also known as fluorescent or 5-Wire dimming. Allows smooth dimming down to 5% depending upon the dimmer's limitations. Compatible with daylight harvesting controls.



Unisense[™] PROGRAMMABLE MOTION + DAYLIGHT (-SUN-RMT, -SUN-RMT-1227)

- Microwave and PIR (Passive Infrared) sensors depending on option
- Daylight harvesting
- Dusk/dawn sensing capabilities
- Motion Sensor



Warranty

Covered by a 5-Year Warranty to be free of defects in materials and craftsmanship. Recommended for applications where ambient temperatures do not exceed 35°C (95°F), installations exceeding this temperature will result in reduced LED lamp life and a voided warranty.

Emergency Options

Emergency LED Battery Back-up available, remotely mounted adjacently by the installer. When AC power fails, the device immediately switches to the emergency mode, operating the LEDs for a minimum of 90 minutes. Remote test switch and plate cover included. Optional Generator Transfer Device switches the driver to auxiliary generator power during the loss of normal AC power, (recommended for applications requiring individual circuit switching).

SPECIFICATION (Continued)

EMERGENCY BATTERY (-EM): 10W

- Must be installed in Dry Locations
- 10W constant output to LED lamp

Not rated for outdoor mounting. Damp location rated.

-EM Lumen Data (Battery)

| | |
|------------------|---------------------|
| Fixture/Trim | CRTR6QLS1320 |
| Fixture Wattage: | 17W (Drive Set Low) |
| Fixture Lumens: | 1300 |
| Multiplier: | 0.59 |
| EM Lumens: | 770 |

| | |
|------------------|---------------------|
| Fixture/Trim | CRTR6QLS1320 |
| Fixture Wattage: | 22W (Drive Set Mid) |
| Fixture Lumens: | 1700 |
| Multiplier: | 0.45 |
| EM Lumens: | 770 |

| | |
|------------------|----------------------|
| Fixture/Trim | CRTR6QLS1320 |
| Fixture Wattage: | 28W (Drive Set High) |
| Fixture Lumens: | 2000 |
| Multiplier: | 0.36 |
| EM Lumens: | 720 |

| | |
|------------------|---------------------|
| Fixture/Trim | CRTR6QLS2333 |
| Fixture Wattage: | 30W (Drive Set Low) |
| Fixture Lumens: | 2300 |
| Multiplier: | 0.33 |
| EM Lumens: | 760 |

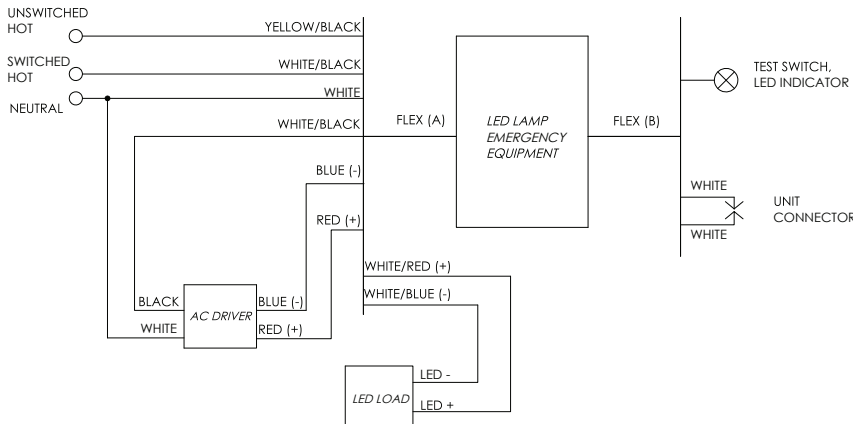
| | |
|------------------|---------------------|
| Fixture/Trim | CRTR6QLS2333 |
| Fixture Wattage: | 39W (Drive Set Mid) |
| Fixture Lumens: | 2800 |
| Multiplier: | 0.26 |
| EM Lumens: | 730 |

| | |
|------------------|----------------------|
| Fixture/Trim | CRTR6QLS2333 |
| Fixture Wattage: | 48W (Drive Set High) |
| Fixture Lumens: | 3300 |
| Multiplier: | 0.21 |
| EM Lumens: | 700 |

| | |
|------------------|---------------------|
| Fixture/Trim | CRTR6QLS2737 |
| Fixture Wattage: | 35W (Drive Set Low) |
| Fixture Lumens: | 2700 |
| Multiplier: | 0.29 |
| EM Lumens: | 780 |

| | |
|------------------|---------------------|
| Fixture/Trim | CRTR6QLS2737 |
| Fixture Wattage: | 45W (Drive Set Mid) |
| Fixture Lumens: | 3200 |
| Multiplier: | 0.22 |
| EM Lumens: | 700 |

| | |
|------------------|----------------------|
| Fixture/Trim | CRTR6QLS2737 |
| Fixture Wattage: | 55W (Drive Set High) |
| Fixture Lumens: | 3700 |
| Multiplier: | 0.18 |
| EM Lumens: | 670 |



| | |
|----------------------|-----------------|
| Input Voltage: | 120-277VAC/60Hz |
| Output Voltage: | 10W |
| Wattage: | 10W |
| Switching Time: | <1s |
| Charging Time: | 24h |
| Operating Time: | 90 minutes |
| Minimum Temperature: | 0°C |
| Maximum Temperature: | 50°C |
| Self-Diagnostic: | No |

SPECIFICATION (Continued)

FULL POWER EMERGENCY INVERTER (-EMAC or -EMAC347): 17W - 55W

- Must be installed in Dry Locations
- Wattage package will determine if 17W - 55W battery gets sent; corresponding wiring diagrams below
- 170 VDC output to AC DRIVER during EM mode

Not rated for outdoor mounting. Damp location rated.

-EMAC Lumen Data (Battery)

| | |
|------------------|---------------------|
| Fixture/Trim | CRTR6QLS1320 |
| Fixture Wattage: | 17W (Drive Set Low) |
| Fixture Lumens: | 1300 |
| EM Lumens: | 1300 |

| | |
|------------------|---------------------|
| Fixture/Trim | CRTR6QLS1320 |
| Fixture Wattage: | 22W (Drive Set Mid) |
| Fixture Lumens: | 1700 |
| EM Lumens: | 1700 |

| | |
|------------------|----------------------|
| Fixture/Trim | CRTR6QLS1320 |
| Fixture Wattage: | 28W (Drive Set High) |
| Fixture Lumens: | 2000 |
| EM Lumens: | 2000 |

| | |
|------------------|---------------------|
| Fixture/Trim | CRTR6QLS2333 |
| Fixture Wattage: | 30W (Drive Set Low) |
| Fixture Lumens: | 2300 |
| EM Lumens: | 2300 |

| | |
|------------------|---------------------|
| Fixture/Trim | CRTR6QLS2333 |
| Fixture Wattage: | 39W (Drive Set Mid) |
| Fixture Lumens: | 2800 |
| EM Lumens: | 2800 |

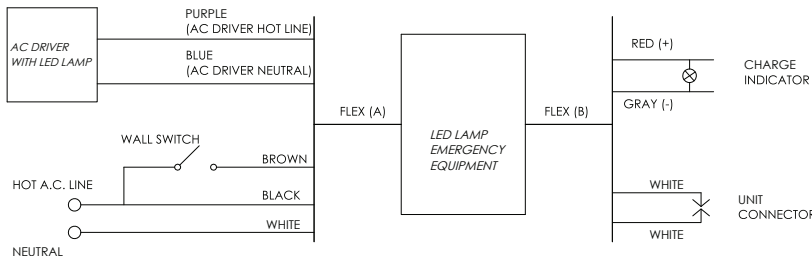
| | |
|------------------|----------------------|
| Fixture/Trim | CRTR6QLS2333 |
| Fixture Wattage: | 48W (Drive Set High) |
| Fixture Lumens: | 3300 |
| EM Lumens: | 3300 |

| | |
|------------------|---------------------|
| Fixture/Trim | CRTR6QLS2737 |
| Fixture Wattage: | 35W (Drive Set Low) |
| Fixture Lumens: | 2700 |
| EM Lumens: | 2700 |

| | |
|------------------|---------------------|
| Fixture/Trim | CRTR6QLS2737 |
| Fixture Wattage: | 45W (Drive Set Mid) |
| Fixture Lumens: | 3200 |
| EM Lumens: | 3200 |

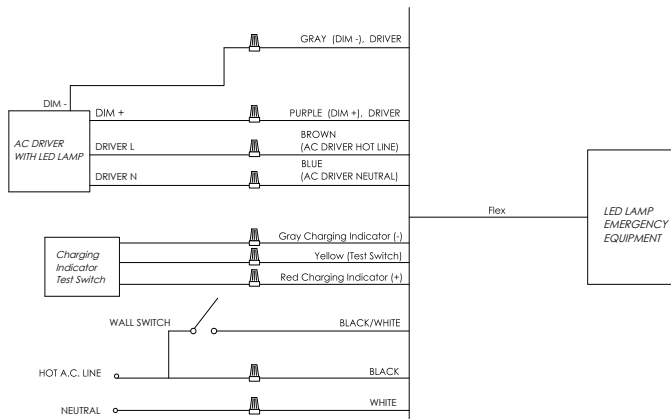
| | |
|------------------|----------------------|
| Fixture/Trim | CRTR6QLS2737 |
| Fixture Wattage: | 55W (Drive Set High) |
| Fixture Lumens: | 3700 |
| EM Lumens: | 3700 |

<25W LOAD



| | |
|----------------------|-------------------------------|
| Input Voltage: | 120-277VAC/60Hz |
| Output Voltage: | 170VDC (120VAC Equivalent) |
| Wattage: | 25W |
| Switching Time: | <1s |
| Charging Time: | 24h |
| Operating Time: | 90 minutes |
| Minimum Temperature: | 0°C |
| Maximum Temperature: | 50°C |
| Self-Diagnostic: | No |

<40W LOAD

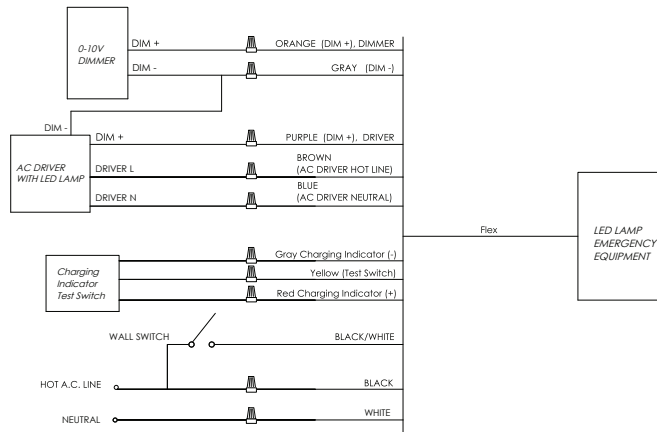


| | |
|----------------------|-------------------------------|
| Input Voltage: | 120-277VAC or 347VAC/60Hz |
| Output Voltage: | 170VDC (120VAC Equivalent) |
| Wattage: | 40W |
| Switching Time: | <1s |
| Charging Time: | 24h |
| Operating Time: | 90 minutes |
| Minimum Temperature: | 0°C |
| Maximum Temperature: | 50°C |
| Self-Diagnostic: | Yes |

SPECIFICATION (Continued)

>40W LOAD

- 0-10V dimmable driver required



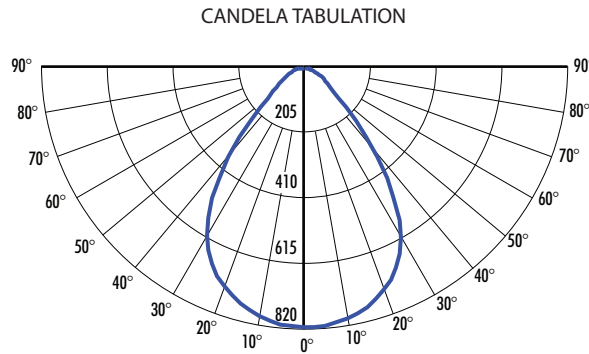
| | |
|----------------------|-------------------------------|
| Input Voltage: | 120-277VAC or 347VAC/60Hz |
| Output Voltage: | 170VDC (120VAC Equivalent) |
| Wattage: | 55W |
| Switching Time: | <1s |
| Charging Time: | 24h |
| Operating Time: | 90 minutes |
| Minimum Temperature: | 0°C |
| Maximum Temperature: | 50°C |
| Self-Diagnostic: | Yes |

PHOTOMETRY

CRTR6QLS1320WWUE-D10-TS40_LOW (1300lm, 17W, 4000K)

System Power: 16W
Test Date: 02/2024
Beam Angle 50%: 76.9°
Field Angle 10%: 120.2°
Color Temperature: 3812K
CRI: 82.0
Lumens Delivered: 1321
CBCP: 820.39
Power Factor: 0.99

MULTIPLIERS
REFLECTOR FINISH
CW : 0.00
SS : 0.00
SW : 0.00
WW : 0.00
CCT
3000K : 1.01
3500K : 1.12
4000K : 1.00



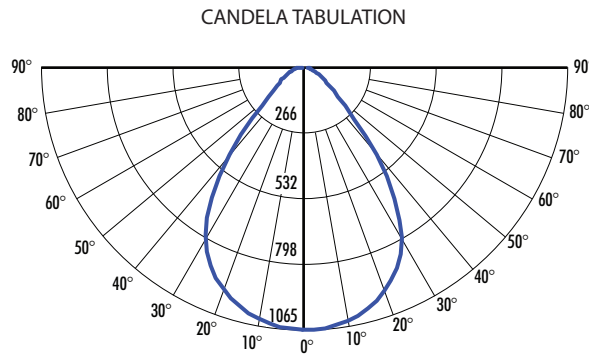
FOOTCANDLE DISTRIBUTION

| Height | Beam Diameter | FC |
|--------|---------------|-------|
| 8.0' | 12.70' | 12.82 |
| 10.0' | 15.88' | 8.20 |
| 12.0' | 19.06' | 5.70 |
| 14.0' | 22.23' | 4.19 |
| 16.0' | 25.41' | 3.20 |

CRTR6QLS1320WWUE-D10-TS40_MID (1700lm, 22W, 4000K)

System Power: 22W
Test Date: 02/2024
Beam Angle 50%: 76.4°
Field Angle 10%: 119.3°
Color Temperature: 3810K
CRI: 81.6
Lumens Delivered: 1687
CBCP: 1064.64
Power Factor: 0.99

MULTIPLIERS
REFLECTOR FINISH
CW : 0.00
SS : 0.00
SW : 0.00
WW : 0.00
CCT
3000K : 1.01
3500K : 1.12
4000K : 1.00



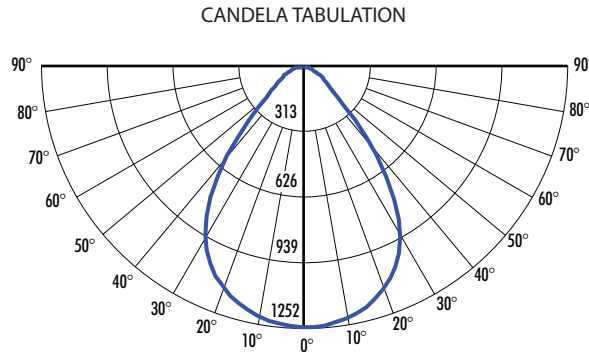
FOOTCANDLE DISTRIBUTION

| Height | Beam Diameter | FC |
|--------|---------------|-------|
| 8.0' | 12.59' | 16.64 |
| 10.0' | 15.74' | 10.65 |
| 12.0' | 18.89' | 7.39 |
| 14.0' | 22.03' | 5.43 |
| 16.0' | 25.18' | 4.16 |

CRTR6QLS1320WWUE-D10-TS40_HIGH (2000lm, 28W, 4000K)

System Power: 27W
Test Date: 02/2024
Beam Angle 50%: 77.0°
Field Angle 10%: 120.5°
Color Temperature: 3821K
CRI: 81.5
Lumens Delivered: 2019
CBCP: 1251.08
Power Factor: 0.99

MULTIPLIERS
REFLECTOR FINISH
CW : 0.00
SS : 0.00
SW : 0.00
WW : 0.00
CCT
3000K : 1.01
3500K : 1.12
4000K : 1.00



FOOTCANDLE DISTRIBUTION

| Height | Beam Diameter | FC |
|--------|---------------|-------|
| 8.0' | 12.73' | 19.54 |
| 10.0' | 15.91' | 12.51 |
| 12.0' | 19.09' | 8.69 |
| 14.0' | 22.27' | 6.38 |
| 16.0' | 25.45' | 4.89 |

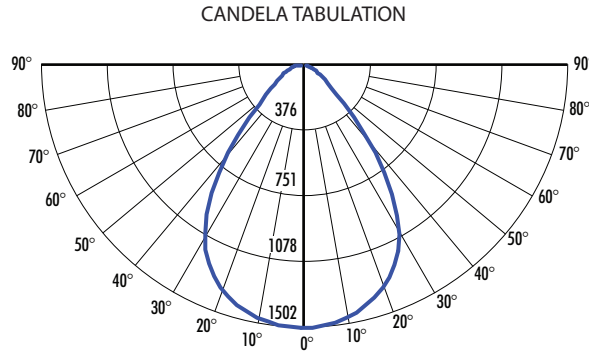
2024.02.01

PHOTOMETRY (Continued)

CRTR6QLS2333WWUE-D10-TS40_LOW (2300lm, 30W, 4000K)

System Power: 32W
Test Date: 02/2024
Beam Angle 50%: 76.1°
Field Angle 10%: 119.0°
Color Temperature: 3854K
CRI: 83.4
Lumens Delivered: 2365
CBCP: 1502
Power Factor: 0.99

| MULTIPLIERS | |
|------------------|------|
| REFLECTOR FINISH | |
| CW: | 0.00 |
| SS: | 0.00 |
| SW: | 0.00 |
| WW: | 0.00 |
| CCT | |
| 3000K: | 1.01 |
| 3500K: | 1.12 |
| 4000K: | 1.00 |



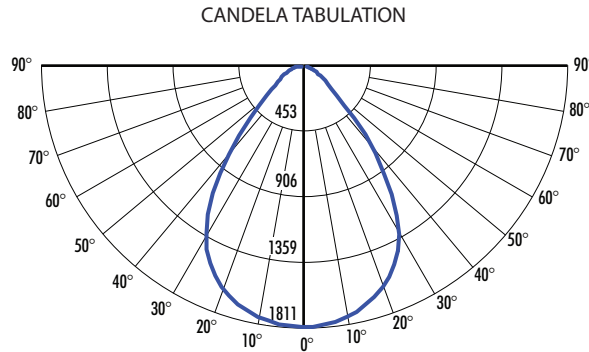
FOOTCANDLE DISTRIBUTION

| Height | Beam Diameter | FC |
|--------|---------------|-------|
| 8.0' | 12.52' | 22.45 |
| 10.0' | 15.65' | 14.37 |
| 12.0' | 18.78' | 9.98 |
| 14.0' | 21.92' | 7.33 |
| 16.0' | 25.05' | 5.61 |

CRTR6QLS2333WWUE-D10-TS40_MID (2800lm, 39W, 4000K)

System Power: 40W
Test Date: 02/2024
Beam Angle 50%: 76.2°
Field Angle 10%: 119.1°
Color Temperature: 3859K
CRI: 83.2
Lumens Delivered: 2853
CBCP: 1811
Power Factor: 0.99

| MULTIPLIERS | |
|------------------|------|
| REFLECTOR FINISH | |
| CW: | 0.00 |
| SS: | 0.00 |
| SW: | 0.00 |
| WW: | 0.00 |
| CCT | |
| 3000K: | 1.01 |
| 3500K: | 1.12 |
| 4000K: | 1.00 |



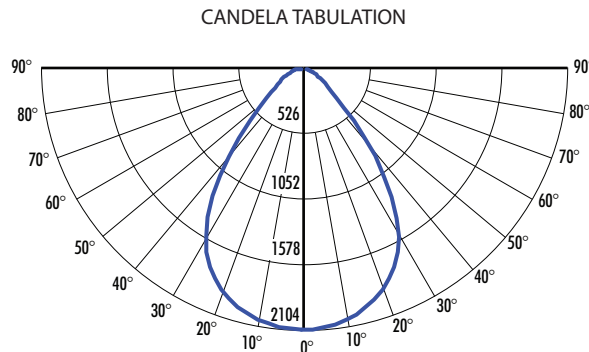
FOOTCANDLE DISTRIBUTION

| Height | Beam Diameter | FC |
|--------|---------------|-------|
| 8.0' | 12.55' | 26.06 |
| 10.0' | 15.68' | 16.68 |
| 12.0' | 18.82' | 11.58 |
| 14.0' | 21.95' | 8.51 |
| 16.0' | 25.09' | 6.51 |

CRTR6QLS2333WWUE-D10-TS40_HIGH (3300lm, 48W, 4000K)

System Power: 49W
Test Date: 02/2024
Beam Angle 50%: 76.2°
Field Angle 10%: 119.1°
Color Temperature: 3870K
CRI: 83.0
Lumens Delivered: 3317
CBCP: 2104
Power Factor: 0.99

| MULTIPLIERS | |
|------------------|------|
| REFLECTOR FINISH | |
| CW: | 0.00 |
| SS: | 0.00 |
| SW: | 0.00 |
| WW: | 0.00 |
| CCT | |
| 3000K: | 1.01 |
| 3500K: | 1.12 |
| 4000K: | 1.00 |



FOOTCANDLE DISTRIBUTION

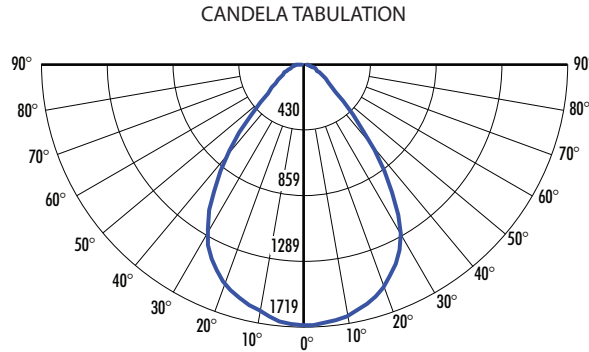
| Height | Beam Diameter | FC |
|--------|---------------|-------|
| 8.0' | 12.55' | 28.73 |
| 10.0' | 15.68' | 18.39 |
| 12.0' | 18.82' | 12.77 |
| 14.0' | 21.95' | 9.38 |
| 16.0' | 25.09' | 7.18 |

PHOTOMETRY (Continued)

CRTR6QLS2737WWUE-D10-TS40_LOW (2700lm, 35W, 4000K)

System Power: 35W
Test Date: 02/2024
Beam Angle 50%: 75.9°
Field Angle 10%: 119.1°
Color Temperature: 3798K
CRI: 83.1
Lumens Delivered: 2704
CBCP: 1718.7
Power Factor: 0.99

| MULTIPLIERS | |
|------------------|------|
| REFLECTOR FINISH | |
| CW: | 0.00 |
| SS: | 0.00 |
| SW: | 0.00 |
| WW: | 0.00 |
| CCT | |
| 3000K: | 1.01 |
| 3500K: | 1.12 |
| 4000K: | 1.00 |



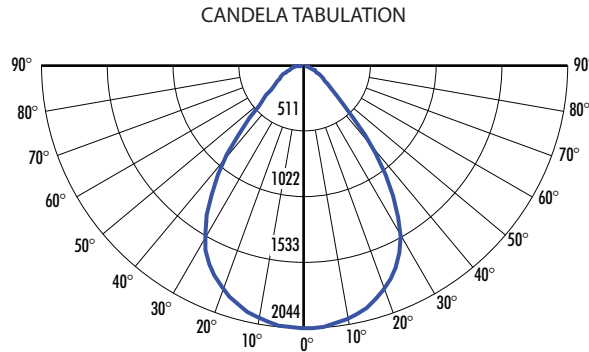
FOOTCANDLE DISTRIBUTION

| Height | Beam Diameter | FC |
|--------|---------------|-------|
| 8.0' | 12.48' | 26.85 |
| 10.0' | 15.60' | 17.19 |
| 12.0' | 18.72' | 11.94 |
| 14.0' | 21.84' | 8.77 |
| 16.0' | 24.96' | 6.71 |

CRTR6QLS2737WWUE-D10-TS40_MID (3200lm, 45W, 4000K)

System Power: 45W
Test Date: 02/2024
Beam Angle 50%: 76.3°
Field Angle 10%: 119.7°
Color Temperature: 3815K
CRI: 82.9
Lumens Delivered: 3255
CBCP: 2043.57
Power Factor: 0.99

| MULTIPLIERS | |
|------------------|------|
| REFLECTOR FINISH | |
| CW: | 0.00 |
| SS: | 0.00 |
| SW: | 0.00 |
| WW: | 0.00 |
| CCT | |
| 3000K: | 1.01 |
| 3500K: | 1.12 |
| 4000K: | 1.00 |



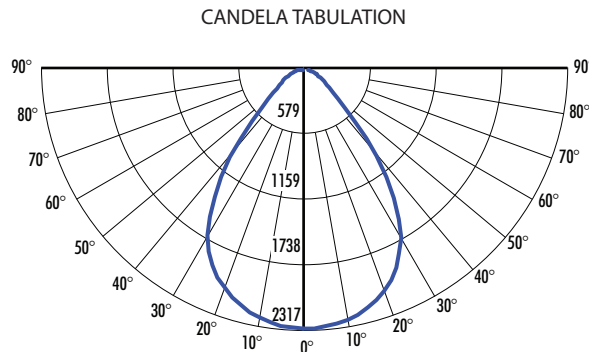
FOOTCANDLE DISTRIBUTION

| Height | Beam Diameter | FC |
|--------|---------------|-------|
| 8.0' | 12.57' | 31.93 |
| 10.0' | 15.71' | 20.44 |
| 12.0' | 18.85' | 14.19 |
| 14.0' | 21.99' | 10.43 |
| 16.0' | 25.14' | 7.98 |

CRTR6QLS2737WWUE-D10-TS40_HIGH (3700lm, 53W, 4000K)

System Power: 54W
Test Date: 02/2024
Beam Angle 50%: 76.3°
Field Angle 10%: 119.6°
Color Temperature: 3830K
CRI: 82.7
Lumens Delivered: 3690
CBCP: 2317.26
Power Factor: 0.99

| MULTIPLIERS | |
|------------------|------|
| REFLECTOR FINISH | |
| CW: | 0.00 |
| SS: | 0.00 |
| SW: | 0.00 |
| WW: | 0.00 |
| CCT | |
| 3000K: | 1.01 |
| 3500K: | 1.12 |
| 4000K: | 1.00 |



FOOTCANDLE DISTRIBUTION

| Height | Beam Diameter | FC |
|--------|---------------|-------|
| 8.0' | 12.57' | 36.21 |
| 10.0' | 15.71' | 23.17 |
| 12.0' | 18.85' | 16.09 |
| 14.0' | 21.99' | 11.82 |
| 16.0' | 25.14' | 9.05 |