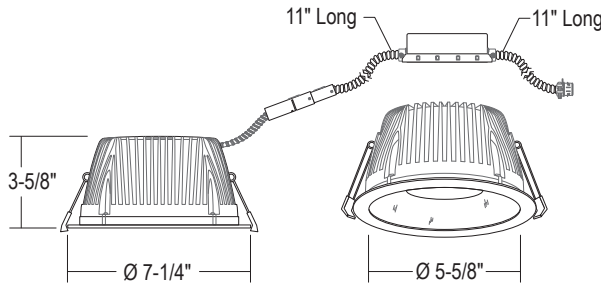


# CRTR6SHL : 6" C-SERIES

SUPER LOW GLARE, SHALLOW LED RETROFIT/REMODEL AMBER (TURTLE SAFE)  
200LM - 250LM (10W - 12W)



Ceiling Cut-out: Min. 6-3/8", Max. 6-5/8"  
Ceiling Thickness: Min. 1/4", Max. 2"



- Deeply recessed lens and 65.5° visual cutoff for reduced glare
- Shallow 3-5/8" depth for ceilings with minimal plenum air-space
- New junction box option for remodels without frames
- Non-conductive dead-front flanged option (-LENS) for wet locations
- True Amber (590nm) Non-PC

## ORDERING : CRTR6SHL10BBUE-D10-TAM

CRTR6SHL		Reflector Finish	Control	Emergency Options	LED	Junction Box
<b>Fixture/Lumens</b>						
200lm (10W)	<b>CRTR6SHL10</b>		0-10V Dimming	<b>UE-D10</b>	None	<b>Blank</b>
250lm (12W)	<b>CRTR6SHL12</b>		TRIAC/ELV Dimming (120V)	<b>-DIN</b>	10W Emergency Battery	<b>-EM</b>
			0-10V Dimming (347V)	<b>-347-D10</b>	Full Power Emergency Inverter	<b>-EMAC<sup>4</sup></b>
<b>Reflector Finish</b>			0-10V Dimming with 10W Integral Emergency Battery Backup	<b>UE-D10-EMA<sup>3</sup></b>	Full Power Emergency Inverter (347V)	<b>-EMAC347<sup>4</sup></b>
All Black	<b>BB<sup>2</sup></b>		DMX Dimming with input via XLR5	<b>UE-DMXLR5</b>	GTD Device	<b>-GTD</b>
			DMX Dimming with input via RJ45	<b>UE-DMXRJ45</b>		
					<b>LED</b>	
					Amber - Limited Wavelength - 590nm	<b>-TAM</b>
						<b>None</b>
						<b>Blank</b>
						<b>None</b>
						<b>Junction Box</b>
						<b>Junction Box</b>
						<b>Junction Box (Chicago Plenum)</b>
						<b>Blank</b>
						<b>-JB</b>
						<b>-JB-CHP</b>

<sup>1</sup> All drivers are 120V/277V unless otherwise noted.  
<sup>2</sup> Extended Lead Time. Consult Factory.  
<sup>3</sup> UE-D10-EMA is not compatible with -EM or -EMAC or EMAC347 or -GTD.  
<sup>4</sup> Check wiring diagram.

### COMPATABILITY



2025.12.16

## SPECIFICATION

### Application

---

This Turtle Safe Commercial-grade LED recessed downlight retrofit is designed for low to high ceilings with existing open style frame. Lensed fixture.

### Retrofit Mounting

---

Designed for use with existing 6" Architectural, Incandescent, Fluorescent, and Metal Halide Housings. Supplied with flexible metal conduit for connection to existing electrical junction box. Uses existing frame-in-kits mounting method via heavy duty tension springs. Consult factory for special mounting methods.

### Control

---

120V/277V AC 50/60Hz Electronic Direct Current Class 2. Input current 0.50 Amps at 115VAC. Power Factor > 0.90. Operating Temperature: -20°C to +50°C / -4°F to +131°F. Accessible from above or below ceiling.

(UE) Non-dimming (1220V/277V).

(UE-D10) 0-10V dimming works with most 5-wire, 0-10V dimmers. Factory qualified for use with Leviton IP710-DLZ.

(-DIN) dimming option smoothly dims down to 5% of initial light output with flicker-free performance. Works with standard 120V incandescent dimmers.

(-347-D10) is a 0-10V driver that takes 347V input.

(UE-D10-EMA) 0-10V with 10W Emergency backup works with most 120V/277V, 5-wire, 0-10V dimmers.

### Emergency Options

---

Emergency LED Battery Back-up available, remotely mounted adjacent to housing by installer. When AC power fails, the device immediately switches to the emergency mode, operating the LEDs for a minimum of 90 minutes. Remote test switch and plate cover included.

### Power Connection

---

LED lamp is replaceable via on board quick disconnect terminal. Meets CA Title 24 requirements and other standards restricting the use of Medium Base or Bi-Pin sockets.

### Thermal Management

---

Heat dissipation facilitated by a large exposed integral aluminum heat sink to maximize heat dissipation in an open-air environment. The recommended ambient temperature should be below 35°C (95°F) to achieve a minimum L70 life of 50,000 hours according to the LM80 standard.

## SPECIFICATION (Continued)

### Reflector

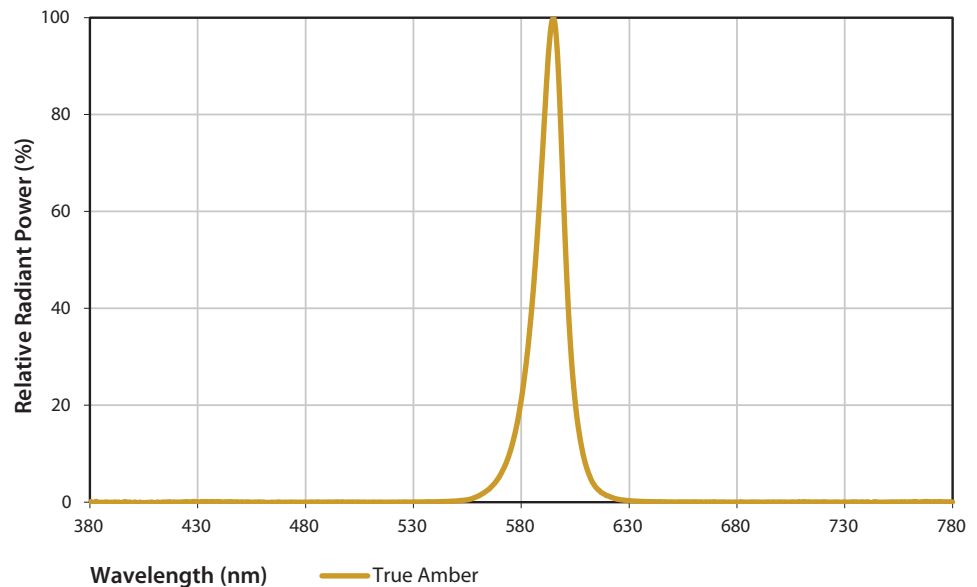
Frosted polycarbonate lens pre-installed on reflector unifies diode sources and protects diodes from dust and particles from front of aperture.

### Reflector Finish

1-piece, self-flanged LED design enables a clean trim finish without secondary trim ring. Heavy gauge aluminum reflector prevents ugly dents during shipping & installation. Deeply mounted LED provides 50° visual cutoff. Available in Satin Haze Reflector/White Finish, White Reflector/White Finish, All Black, and All Satin Haze.

### Color Temperature

Binned with 4-step MacAdam ellipses as per ANSI Standard recommendation.



True Amber - Narrow Band LEDs centered at 590nm with no spectral content below 560nm are supplied.

### Non-Conductive Dead-Front Flange

(-LENS60) and (-LENS110) options feature non-conductive dead-front flange for wet locations.

### Junction Box

16 gauge pre-wired aluminum Junction Box. 7 cubic-inch for a maximum of (4) #12 AWG wires. (2) 1/2" knock-outs. Remove covers for easy access and ground wire.

## SPECIFICATION (Continued)

### Airflow

IC-Rated/Airtight (ICA) reflector design is designed to restrict air flow from room into plenums in compliance to the WSEC - Washington State Energy Code, (Less than 2.0 CFM -Cubic Feet per Minute).

### Certifications and Listings

cETLus listed to UL1598 and UL8750. Suitable for dry, damp, and wet locations. NYC approved: Calendar #41937. Conforms to City of Chicago Environmental Air CCEA-200 with Section 18-27-300.22 and special requirements Section 14-20-210C-4. Assembled in USA.

### Lamp Equivalents

32W/42W CFL, 2 x 26W CFL.

### Caution

Fixtures must be grounded in accordance with national, state and/or local electrical codes. Failure to do so may result in serious personal injury.

### Warranty

Covered by a 5-Year Warranty to be free of defects in materials and craftsmanship. Recommended for applications where ambient temperatures do not exceed 35°C (95°F). Installations exceeding this temperature will result in reduced LED lamp life and a voided warranty.

### EMERGENCY BATTERY (-EM): 10W

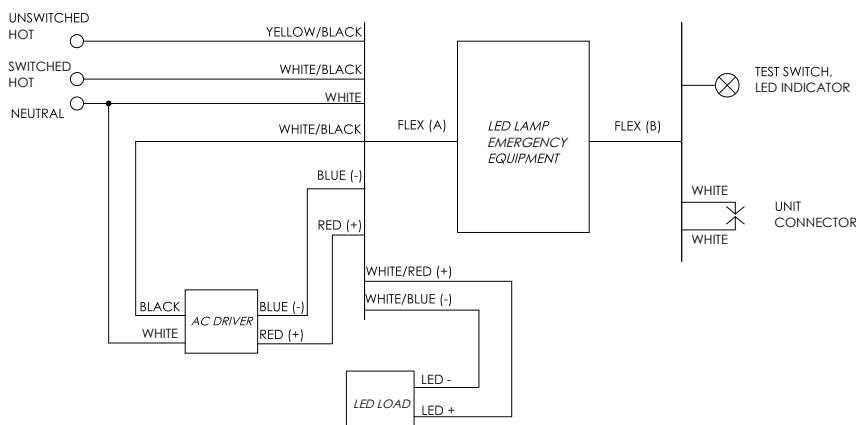
- Must be installed in Dry Locations
- 10W constant output to LED lamp

**Not rated for outdoor mounting. Damp location rated.**

#### -EM Lumen Data (Battery)

Fixture/Trim	CRTR6SHL10
Fixture Wattage:	10W
Fixture Lumens:	200
Multiplier:	1
EM Lumens:	200

Fixture/Trim	CRTR6SHL12
Fixture Wattage:	12W
Fixture Lumens:	250
Multiplier:	0.83
EM Lumens:	210



Input Voltage:	120-277VAC/60Hz
Output Voltage:	10W
Wattage:	10W
Switching Time:	<1s
Charging Time:	24h
Operating Time:	90 minutes
Minimum Temperature:	0°C
Maximum Temperature:	50°C
Self-Diagnostic:	No

## SPECIFICATION (Continued)

### FULL POWER EMERGENCY INVERTER (-EMAC or -EMAC347): 10W - 12W

- Must be installed in Dry Locations
- Wattage package will determine battery sent; corresponding wiring diagrams below
- 170 VDC output to AC DRIVER during EM mode

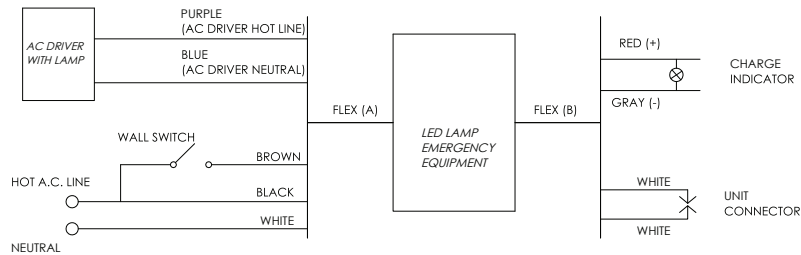
**Not rated for outdoor mounting. Damp location rated.**

#### -EMAC Lumen Data (Battery)

Fixture/Trim	CRTR6SHL10
Fixture Wattage:	10W
Fixture Lumens:	200
EM Lumens:	200

Fixture/Trim	CRTR6SHL12
Fixture Wattage:	12W
Fixture Lumens:	250
EM Lumens:	250

#### <25W LOAD



Input Voltage:	120-277VAC/60Hz
Output Voltage:	170VDC (120VAC Equivalent)
Wattage:	12W
Switching Time:	<1s
Charging Time:	24h
Operating Time:	90 minutes
Minimum Temperature:	0°C
Maximum Temperature:	50°C
Self-Diagnostic:	No