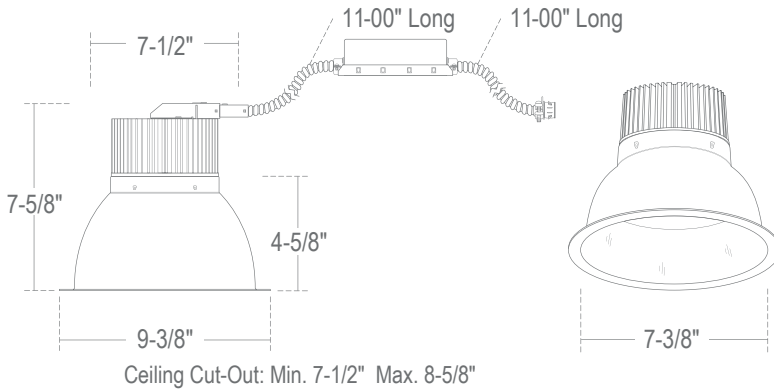


## CRTR8L - 8" C-SERIES

LED RETROFIT - 300LM-600LM (10W-22W) - AMBER (TURTLE SAFE)

- New Spring/Jbox Option for Remodel Installations without Frames
- 590nm AMBER Turtle Safe retrofit
- Usually Ships 2-3 days
- Smooth diffused illumination. No visible LED's or hot spots.
- Heavy Duty Self-Flanged Reflector
- No Visible Screws or Hardware



### ORDERING – Example: CRTR8L10BBF-TAM

#### CRTR8L

Fixture	Lumens	IC Option	Reflector Finish	Control	Emergency Options	Color Temperature	J-Box	Options
Lumens		Reflector Finish		Emergency Options		J-Box		
300lm (10W)	<b>10</b>	All Black	<b>BBF</b>	None	<b>Blank</b>	None	<b>Blank</b>	
500lm (15W)	<b>15</b>			10W Emergency Battery	<b>-EM</b>	4" Junction Box	<b>-JB</b>	
600lm (22W)	<b>22</b>			Full Power Emergency Inverter	<b>-EMAC<sup>1</sup></b>			
		Control		Full Power Emergency Inverter (347V)		Options		
		Non-Dimming (120V)		<b>Blank</b>		None		
		UniDim™ 0-10V, TRIAC/ELV Dimming (120V/277V)		<b>UE-DUN</b>		4.5" Ceiling Thickness		
		TRIAC/ELV Dimming (120V)		<b>-DIN</b>		<b>Blank</b>		
IC Option				GTD Device		<b>-CT4</b>		
Non-IC	<b>Blank</b>			Color Temperature				
IC Rated/Airtight	<b>ICA<sup>2</sup></b>			590nm AMBER		<b>-TAM</b>		

<sup>1</sup> Check wiring diagram.

<sup>2</sup> ICA is only available for CRTR8L10 and CRTR8L15. (CRTR8L22 are Non-IC rated.)

347V Input with 0-10V Dimming available. Consult factory for lead times.

#### COMPATIBLE ITEMS

**VR800**  
Outdoor Vandal Resistant Ceiling/Wall Kit

**P-CR872**  
8" Commercial Wall Wash Accessory



## SPECIFICATION

### Application

This Turtle Safe Commercial-grade LED recessed downlight retrofit is designed for low to high ceilings with existing open style frame. Lensed fixture.

### Retrofit Mounting

Designed for use with existing 8" Architectural, Incandescent, Fluorescent, and Metal Halide Housings like LITON Brand LFH8, LFH8R, LFH8, LFH86, LVH8, LH800, LVH8R1 and LVH81. Supplied with flexible metal conduit for connection to existing electrical junction box. Uses existing frame-in-kits mounting method via clips or heavy duty tension springs option. Consult factory for special mounting methods.

### Dimming

Standard 0-10v dimming works with most 5-Wire 0-10V dimmers. Factory qualified for use with Leviton IP710-DLX and Lutron NTFTV-WH.

### Control

120V/277V AC 50/60Hz Electronic Direct Current Class 2 driver. Input current 0.50 Amps at 115VAC. Power Factor > 0.90. Operating Temperature: -20°C to +50°C / -4°F to +131°F. Accessible from above or below ceiling. Consult factory for compatible dimmers. Uni-Dim™ dimming option (-DUN) is a universal dimming system that works with most 3-Wire ELV, 2-Wire Incandescent and 5-Wire 0-10V fluorescent dimmers.

### Insulation Contact

Non IC rated, must be kept 3" from insulation.

### Power Connection

LED lamp array is replaceable via on board quick disconnect terminal. Meets CA Title 24 requirements and other standards restricting the use of Medium Base or Bi-Pin sockets.

### Junction Box

16 gauge pre-wired aluminum Junction Box. 7 cubic-inch for a maximum of (4) #12 AWG wires. (2) 1/2" knock-outs. Remove covers for easy access and ground wire

### Thermal Management

Heat dissipation facilitated by exposed integral aluminum heat sink to maximize heat rejection in an open air environment. Recommended ambient temperature is below 35°C to achieve a minimum L70 life of 50,000 hours according to LM80 testing.

### Power Connection

LED lamp array is replaceable via on board quick disconnect terminal. Meets CA Title 24 requirements and other standards restricting the use of Medium Base or Bi-Pin sockets.

### Warranty

Covered by a 5 year warranty to be free of defects in materials and craftsmanship. Fixture should not be installed in applications with ambient temperatures above 40°C. Doing so will result in reduced lamp life and voided warranty.

### Safety Labels

cETLus listed to UL1598 and UL8750. Suitable for dry, damp, and wet locations. NYC approved: Calendar #41937.

### Trim

Frosted Polycarbonate Lens pre-installed on reflector unifies diode sources and protects diodes from dust and particles from front of aperture.

### Reflector Finish

Available in All Black.

### Color Temperature

LED color temperature is verified as 585nm minimum and 595nm maximum.

### Airflow

IC-Rated/Airtight (ICA) reflector design is designed to restrict air flow from room into plenums in compliance to the WSEC - Washington State Energy Code, (Less than 2.0 CFM -Cubic Feet per Minute)

### Label

cETL Listed

### Assembled in USA

### Turtle Safe Requirements

#### LOW

The product is designed for low to medium ceiling heights and delivered lumen output is sufficient to produce enough foot candles to satisfy building codes but not overpower the environment with excessive lumen output.

#### SHIELDED

The trim is deeply recessed and provides a minimum of 50° of glare cutoff. The trim reflector color is black to limit reflections. The beam spread is tightly controlled.

#### LONG

LED color is verified as 585nm minimum and 595nm maximum.

## SPECIFICATION

### EMERGENCY BATTERY (-EM): 10W

- Must be installed in Dry Locations
- 10W constant output to LED lamp

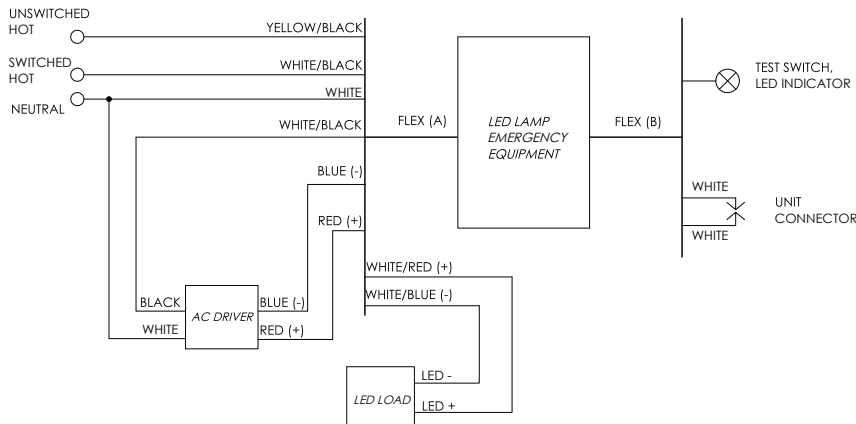
**Not rated for outdoor mounting. Damp location rated.**

#### -EM Lumen Data (Battery)

Fixture/Trim	CRTR8L10
Fixture Wattage:	10W
Fixture Lumens:	300
Multiplier:	1
EM Lumens:	300

Fixture/Trim	CRTR8L15
Fixture Wattage:	15W
Fixture Lumens:	500
Multiplier:	0.67
EM Lumens:	330

Fixture/Trim	CRTR8L22
Fixture Wattage:	22W
Fixture Lumens:	600
Multiplier:	0.45
EM Lumens:	270



Input Voltage:	120-277VAC/60Hz
Output Voltage:	10W
Wattage:	10W
Switching Time:	<1s
Charging Time:	24h
Operating Time:	90 minutes
Minimum Temperature:	0°C
Maximum Temperature:	50°C
Self-Diagnostic:	No

## SPECIFICATION

### FULL POWER EMERGENCY INVERTER (-EMAC or -EMAC347): 10W - 22W

- Must be installed in Dry Locations
- Wattage package will determine battery sent; corresponding wiring diagrams below
- 170 VDC output to AC DRIVER during EM mode

**Not rated for outdoor mounting. Damp location rated.**

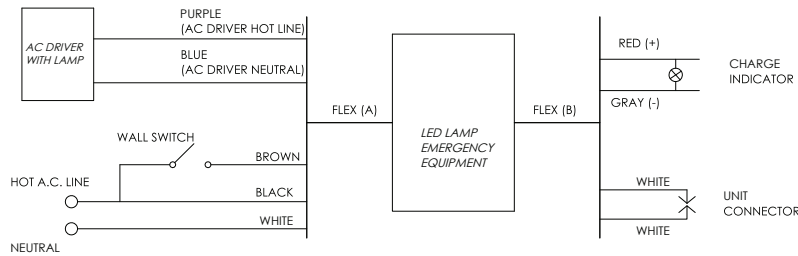
#### -EMAC Lumen Data (Battery)

Fixture/Trim	CRTR8L10
Fixture Wattage:	10W
Fixture Lumens:	300
EM Lumens:	300

Fixture/Trim	CRTR8L15
Fixture Wattage:	15W
Fixture Lumens:	500
EM Lumens:	500

Fixture/Trim	CRTR8L22
Fixture Wattage:	22W
Fixture Lumens:	600
EM Lumens:	600

#### <25W LOAD



Input Voltage:	120-277VAC/60Hz
Output Voltage:	170VDC (120VAC Equivalent)
Wattage:	25W
Switching Time:	<1s
Charging Time:	24h
Operating Time:	90 minutes
Minimum Temperature:	0°C
Maximum Temperature:	50°C
Self-Diagnostic:	No