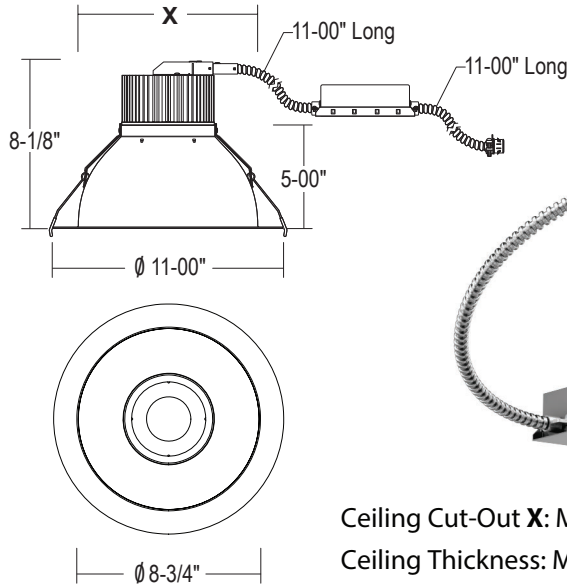
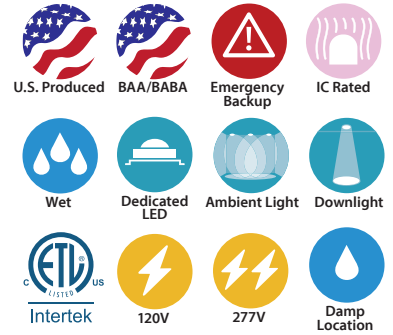


CRTR9L-USA - 9"/10" C-SERIES

LED DOWNLIGHT RETROFIT/REMODEL 1600LM-2600LM (10W-30W)



Ceiling Cut-Out X: Min. 8-7/8", Max. 10"
 Ceiling Thickness: Min. 3/8", Max. 2-1/4"



• Produced in USA

- 10W Emergency Battery Option
- New junction box option for remodels without frames
- Twist and lock reflector for quick access to LED lamp array
- Heavy-duty self-flanged reflector
- No visible screws or hardware

ORDERING : CRTR9L-USA08ICASWUE-D10-T30

CRTR9L-USAxx

Fixture/Lumens	Insulation Contact	Reflector Finish	Control	CCT	Emergency Options	J-Box	Options
Fixture/Lumens 1600lm (10W) CRTR9L-USA08 1900lm (15W) CRTR9L-USA10 2300lm (20W) CRTR9L-USA15 2600lm (30W) CRTR9L-USA22	Insulation Contact Non-IC Blank IC Rated/Airtight ICA¹	Reflector Finish Satin Haze Reflector/White Ring SW White Reflector/White Ring WW All Black BB Clear Specular Reflector/White Ring CW All Satin Haze SS	Control Non-Dimming (120V) Blank TRIAC/ELV Dimming (120V) -DIN 0-10V Dimming (120V/277V) UE-D10	CCT 2700K (84 CRI) -T27 3000K (84 CRI) -T30 3500K (84 CRI) -T35 4000K (84 CRI) -T40 5000K (84 CRI) -T50	Emergency Options None Blank 10W Emergency Battery -EM	J-Box None Blank Junction Box -JB Junction Box (Chicago Plenum) -JB-CHP	Options None Blank 4.5" Ceiling Thickness -CT4

¹ (ICA) is only available on CRTR9L-USA08, CRTR9L-USA10 and CRTR9L-USA15. (CRTR9L-USA22 are Non-IC Rated.)

SPECIFICATION

Application

Architectural/Commercial-grade recessed lensed LED retrofit/remodel downlight for low to high ceilings with existing open style frame.

Retrofit Mounting

Designed for use with existing 9" Architectural, Housings like LITON Brand LVH91, and LH900. Also replaces 10" downlights. Supplied with flexible metal conduit for connection to existing electrical junction box. Uses existing frame-in-kit's mounting method via clips or heavy duty tension springs that are provided. Consult factory for special mounting methods. Free of burrs and sharp corners and edges.

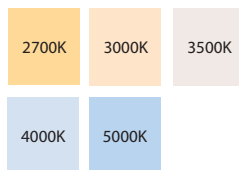
Use the -JB Junction box option for remodel applications that don't have an existing housing frame or an electrical junction box close by. The retaining spring clips option allows for mounting to wood or gypsum board ceilings without the need of a frame.

Control

(UE-D10) 0-10V dimming works with most 5-wire, 0-10V dimmers. Factory qualified for use with Leviton IP710-DLZ.

Power Factor shall be >90% at full load with THD <20% at full load. Electrical Output shall be isolated.

Color Temperature



Available in 2700K, 3000K, 3500K, 4000K and 5000K.

Insulation Contact

(CRTR9L-USA08), (CRTR9L-USA10) and (CRTR9L-USA15) are inherently thermally protected for direct insulation contact without the need for an enclosure. (CRTR9L-USA22) are Non-IC rated housing and must be kept 3" from loose-fill insulation.

Power Connection

LED lamp array is replaceable via on board quick disconnect terminal. Meets CA Title 24 requirements and other standards restricting the use of Medium Base or Bi-Pin sockets.

Thermal Management

Heat dissipation facilitated by a large exposed integral aluminum heat sink to maximize heat dissipation in an open-air environment. IC Option thermally engineered to ensure stated L70 LED life without the need for external box. The recommended ambient temperature should be below 35°C (95°F) to achieve a minimum L70 life of 50,000 hours according to the LM80 standard.

SPECIFICATION (Continued)**Reflector**

Field adjustable twist and lock reflector is easily removable to provide quick access to LED lamp array. Frosted polycarbonate lens pre-installed on reflector unifies diode sources and protects diodes from dust and particles from front of aperture.

Reflector Finish

1-piece, self-flanged, dual reflector LED design provides a clean trim finish without secondary trim ring. Heavy gauge aluminum reflector prevents ugly dents during shipping & installation. Deeply mounted singular LED provides 50° visual cutoff. Available in Satin Haze Reflector/White Finish, White Reflector/White Finish, All Black and Clear Specular Reflector White Ring.

Junction Box

(-JB) option is 18-gauge pre-wired aluminum Junction Box, 18 cubic-inch for a maximum of (6) #12AWG wires. Furnished with (2) 1/2" knockouts. Strain clamps to install or remove covers for easy access and ground wire. (-JB-CHP) option is Chicago Plenum, air-tight Junction Box.

Airflow

IC-Rated/Airtight (ICA) reflector design is designed to restrict air flow from room into plenums in compliance to the WSEC - Washington State Energy Code, (Less than 2.0 CFM -Cubic Feet per Minute).

Certifications and Listings

cETLus listed to UL1598 and UL8750. Suitable for dry, damp, and wet locations. NYC approved. Calendar #41937. Conforms to City of Chicago Environmental Air CCEA-200 with Section 18-27-300.22 and special requirements Section 14-20-210C-4. Meets NFPA 70/NEC Code on Listings.

Caution

LITON recommends use of surge protectors on the power entering LED Housings. Surge damage is not covered by warranty. (+1KV). Fixtures must be grounded in accordance with national, state and/or local electrical codes. Failure to do so may result in serious personal injury.

Warranty

Covered by a 5-Year Warranty to be free of defects in materials and craftsmanship. Recommended for applications where ambient temperatures do not exceed 35°C (95°F), installations exceeding this temperature will result in reduced LED lamp life and a voided warranty.

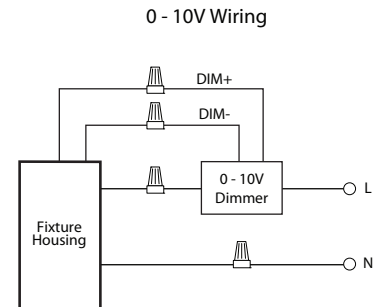
SPECIFICATION (Continued)

Emergency Options

Integral Emergency LED Battery Back-up available. When AC power fails, the device immediately switches to the emergency mode, operating the LEDs for a minimum of 90 minutes. Test switch mounted on reflector face. Optional Generator Transfer Device switches the driver to auxiliary generator power during the loss of normal AC power, (recommended for applications requiring individual circuit switching).

Control Options**0-10V Driver 120V/277V (UE-D10):**

Compatible with most existing 0-10V systems. Also known as fluorescent or 5-Wire dimming. Allows smooth dimming down to 5% depending upon the dimmer's limitations. Compatible with daylight harvesting controls.



SPECIFICATION (Continued)

EMERGENCY BATTERY (-EM): 10W

- Must be installed in Dry Locations
- 10W constant output to LED lamp

Not rated for outdoor mounting. Damp location rated.

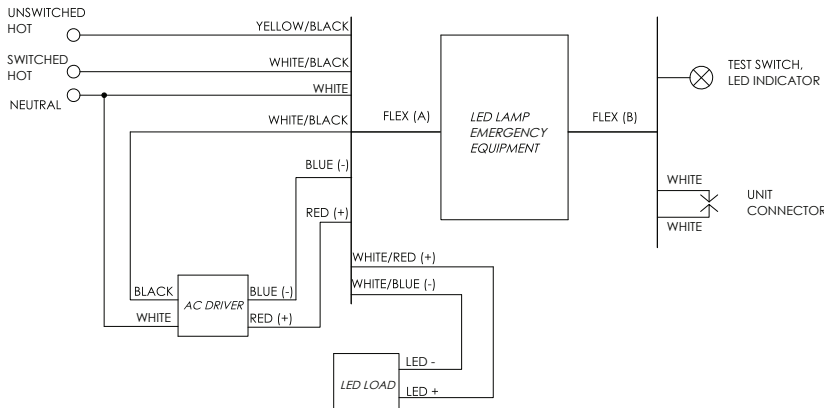
-EM Lumen Data (Battery)

Fixture/Trim	CRTR9L-USA08
Fixture Wattage:	10W
Fixture Lumens:	1600
Multiplier:	1
EM Lumens:	1600

Fixture/Trim	CRTR9L-USA10
Fixture Wattage:	15W
Fixture Lumens:	1900
Multiplier:	0.67
EM Lumens:	1270

Fixture/Trim	CRTR9L-USA15
Fixture Wattage:	20W
Fixture Lumens:	2300
Multiplier:	0.50
EM Lumens:	1150

Fixture/Trim	CRTR9L-USA22
Fixture Wattage:	30W
Fixture Lumens:	2600
Multiplier:	0.33
EM Lumens:	860



Input Voltage:	120-277VAC/60Hz
Output Voltage:	10W
Wattage:	10W
Switching Time:	<1s
Charging Time:	24h
Operating Time:	90 minutes
Minimum Temperature:	0°C
Maximum Temperature:	50°C
Self-Diagnostic:	No