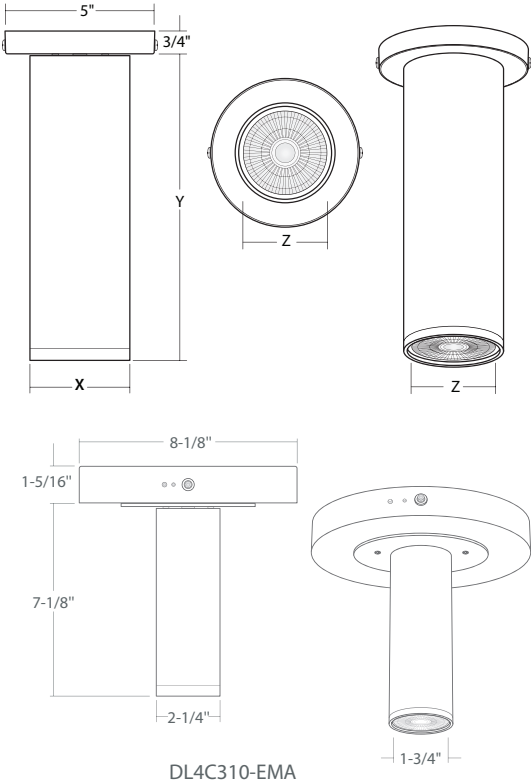


DL4C3 : CYLO CYLINDER

CEILING/SURFACE 1000LM - 3600LM (10W - 36W)



- High power ceiling mount up to 3600lm (36W)
- Internally mounted LED driver
- Available in 3000K, 3500K, 4000K, and Color Select
- Zero percent dimming standard, smoothly dims to off with incandescent dimmers
- 90 CRI Standard

FIXTURE	X	Y	Z
DL4C310	2-1/4"	7"	1-3/4"
DL4C320	3"	8-1/4"	2-5/8"
DL4C330	3-1/8"	9"	2-5/8"
DL4C340	3-3/8"	10-1/4"	2-7/8"

ORDERING : DL4C310W-B15-T30

Fixture	Finish	Dimming	Beam Spread	Color Temperature	Accessories
Fixture		Dimming		Color Temperature	Accessories
1000lm (10W)	DL4C310	120V 2-Wire/ Incandescent/ ELV Dimming	Blank	3000K (90CRI)	-T30
1800lm (20W)	DL4C320			3500K (90CRI)	-T35
2700lm (28W)	DL4C330			4000K (90CRI)	-T40
3600lm (36W)	DL4C340	0-10V Dimming (120V-277V)	UE-D10	ColorSelect 3000K/3500K/4000K (90CRI)	-TS354
Finish		Beam Spread			
All Black	B	45° Flood	-Blank		
All White	W	15° Spot	-B15		
Silver	S³	25° Narrow	-B25		
					None
					Black Hexcell Louver
					Red Lens
					Yellow Lens
					Blue Lens
					Amber Lens
					Green Lens
					Lens with Internal Louver Filter
					Micro-Prismatic Spread Lens
					Integral Emergency BackPack
					Barn Door
					Snoot
					Glow Ring

¹ Not available for DL4C310 when selecting UE-D10.
² Available on DL4C310 only, (not the UE-D10 version).
³ Silver (S) finish is special order.
⁴ Only available for DL4C310 options.

SPECIFICATION

Description

The architecturally styled Cylo LED Cylinder Ceiling/Surface is available in four sizes from 7" to 10-1/4" in length, and 2-3/8" to 3-3/8" diameter, and ships with canopy mounting hardware.

The luminaire features a sleek, durable steel body in Black, White, or special order Silver Finish, with a COB (Chip on Board) light engine with a lumen range from 1000lm (10W) to 3600lm (36W). An optional ColorSelect switch offers 3000K, 3500K, and 4000K color temperature settings to enhance the mood.

Its clean finish, unobtrusive look, small size, and design flexibility make it ideal for retail, commercial, and residential lighting applications.

Housing

Round one-piece CNC spun aluminum cylinder with threaded lens cap.

Mounting

Luminaire comes with canopy mounting hardware.

Lens

Multifaceted polycarbonate Total Internal Reflection (TIR) optic.

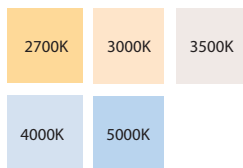
Optics

LED Light Engine

120V COB (Chip on Board) 1000lm (10W) - 3600lm (36W).

Color Temperature

Available in 3000K, 3500K, 4000K and ColorSelect 3000K/3500K/4000K. 90 CRI standard.



Beam Spread

Comes standard with 45° Flood. 15° Spot (-B15) and 25° Narrow Flood (-B25) are also available.

Lumen Maintenance

Minimum 35,000 hours L70 life based on ANSI TM-21 calculations from LM80 standardized test results.

SPECIFICATION (Continued)

Thermal Management

Effective thermal dissipation facilitated by integral aluminum heat sink for maximum heat rejection to provide long LED life.

Driver

Electronic Constant Current driver integrally mounted in fixture casing.

Dimming

Works with 2-wire incandescent dimmers and 3-wire ELV Dimmers. Dims to 0%, completely off with standard incandescent dimmers. Factory qualified for use with Luton brand dimmers: S600PR, DVSCCL-153P & DV600PR as well as Leviton IP106-600W.

(UE-D10) 0-10V dimming works with most 5-wire, 0-10V dimmers. Factory qualified for use with Leviton IP710-DLZ.

Finish

Available in All Black (B), or All White (W) finish with cord to match color. Silver (S) finish is also available special order with black cord.

Safety Labels

ETL/cETL listed. Suitable for dry locations only.

Caution

Fixtures must be grounded in accordance with national, state and/or local electrical codes. Failure to do so may result in serious personal injury.

Warranty

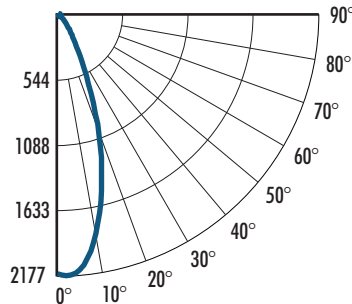
Covered by a 3-Year Warranty to be free of defects in materials and craftsmanship. Recommended for applications where ambient temperatures do not exceed 35°C, installations exceeding this temperature will result in reduced LED lamp life and voided warranty.

PHOTOMETRY

DL4C310WUE-D10-TS354 (1000lm, 10W, 3500K, CRI: 90)

System Power: 11.0W
 Test Date: 11/25/2021
 Beam Angle 50%: 35.2°
 Field Angle 10%: 64.9°
 Color Temperature: 3614
 CRI: 90.3
 R9 Value: 43
 Lumens Delivered: 1019.3
 CBCP: 2174
 Power Factor: 0.98

CANDELA TABULATION



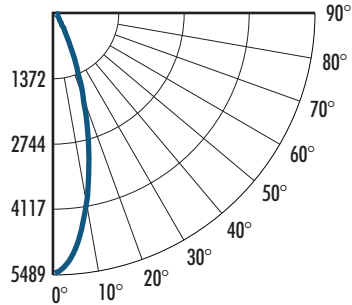
FOOTCANDLE DISTRIBUTION

Height	Beam Diameter	FC
8.0'	5.1'	34.0
12.0'	7.6'	15.1
16.0'	10.2'	8.5
20.0'	12.7'	5.4
24.0'	15.2'	3.8

DL4C320WUE-D10-TS354 (1800lm, 20W, 3500K, CRI: 90)

System Power: 18.9W
 Test Date: 11/25/2021
 Beam Angle 50%: 30.8°
 Field Angle 10%: 54.5°
 Color Temperature: 3490
 CRI: 91.3
 R9 Value: 48
 Lumens Delivered: 1803.4
 CBCP: 5486
 Power Factor: 0.99

CANDELA TABULATION



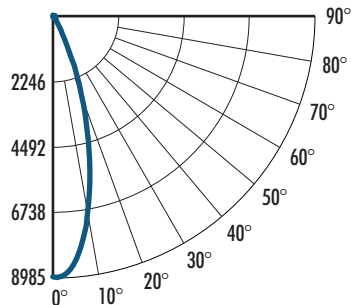
FOOTCANDLE DISTRIBUTION

Height	Beam Diameter	FC
10.0'	5.5'	54.9
18.0'	9.9'	16.9
24.0'	13.2'	9.5
30.0'	16.5'	6.1
36.0'	19.8'	4.2

DL4C330WUE-D10-TS354 (2700lm, 28W, 3500K, CRI: 90)

System Power: 27.8W
 Test Date: 11/25/2021
 Beam Angle 50%: 30.8°
 Field Angle 10%: 52.6°
 Color Temperature: 3491
 CRI: 90.6
 R9 Value: 45
 Lumens Delivered: 2805.6
 CBCP: 8973
 Power Factor: 0.98

CANDELA TABULATION



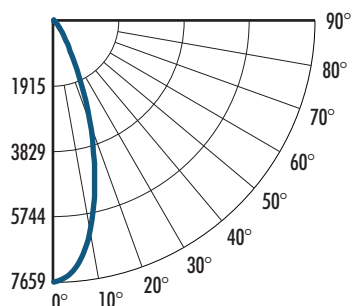
FOOTCANDLE DISTRIBUTION

Height	Beam Diameter	FC
10.0'	5.5'	89.7
16.0'	8.8'	35.1
24.0'	13.2'	15.6
36.0'	19.8'	6.9
48.0'	26.4'	3.9

DL4C340WUE-D10-TS354 (3600lm, 40W, 3500K, CRI: 90)

System Power: 36.6W
 Test Date: 11/25/2021
 Beam Angle 50%: 37.4°
 Field Angle 10%: 65.6°
 Color Temperature: 3467
 CRI: 90.7
 R9 Value: 45
 Lumens Delivered: 3667.1
 CBCP: 7659
 Power Factor: 0.99

CANDELA TABULATION



FOOTCANDLE DISTRIBUTION

Height	Beam Diameter	FC
10.0'	6.8'	76.6
16.0'	10.8'	29.9
24.0'	16.2'	13.3
36.0'	24.4'	5.9
48.0'	32.5'	3.3

2022.03.07