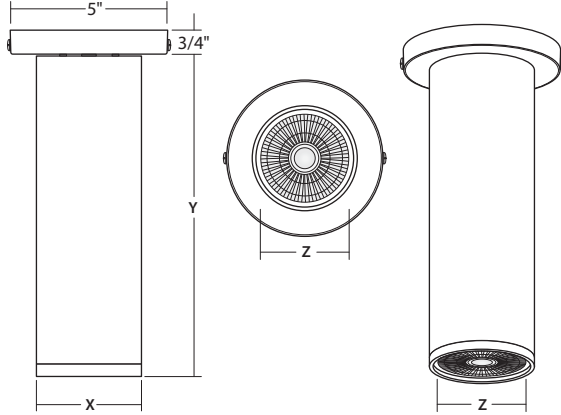


DL4C3 - CYLO CYLINDER

CEILING/SURFACE, 1000LM - 3600LM, (10W - 36W)

- High power ceiling mount up to 3600lm (36W)
- Internally mounted LED driver
- Available in 3000K, 3500K, 4000K, and ColorSelect
- Zero percent dimming standard, smoothly dims to off with incandescent dimmers
- 90 CRI Standard



FIXTURE	X	Y	Z
DL4C311	2-3/8"	7"	1-3/4"
DL4C321	3"	8-1/4"	2-5/8"
DL4C331	3-1/8"	9"	2-5/8"
DL4C341	3-3/8"	10-1/4"	2-7/8"



ORDERING – Example: DL4C311W-B15-T30



Fixture	Finish	Dimming	Beam Spread	Color Temperature
Fixture		Dimming	Beam Spread	Color Temperature
1000lm (10W)	DL4C311	120V 2-Wire/	45° Flood	3000K (90CRI) -T30
1800lm (20W)	DL4C321	Incandescent/	15° Spot	3500K (90CRI) -T35
2700lm (28W)	DL4C331	ELV Dimming	25° Narrow	4000K (90CRI) -T40
3600lm (36W)	DL4C341	0-10V Dimming		ColorSelect -TS354
				3000K/3500K/4000K (90CRI)
Finish				
All Black	B			
All White	W			
Silver	S¹			

¹Silver (S) finish is special order.

SPECIFICATION

Description

The architecturally styled Cylo LED Cylinder Ceiling/Surface is available in four sizes from 7" to 10-1/4" in length, and 2-3/8" to 3-3/8" diameter, and ships with canopy mounting hardware.

The luminaire features a sleek, durable steel body, in Black, White, or special order Silver finish, with a COB (chip on board) light engine with a lumen range from 1000lm (10W) to 3600lm (36W). An optional ColorSelect switch offers 3000K, 3500K, and 4000K color temperature settings to enhance the mood.

Its clean finish, unobtrusive look, small size, and design flexibility make it ideal for retail, commercial, and residential lighting applications.

Housing

Round one-piece CNC spun aluminum cylinder with threaded lens cap.

Mounting

Luminaire comes with canopy mounting hardware.

Lens

Multifaceted polycarbonate Total Internal Reflection (TIR) optic.

Light Source

LED Light Engine - 120V COB (Chip on Board) 1000lm (10W) - 3600lm (36W).

Color Temperature - Available in 3000K, 3500K, 4000K and ColorSelect 3000K/3500K/4000K. 90 CRI standard.

Beam Spread - Comes standard with 45° Flood, 15° Spot (-B15) and 25° Narrow Flood (-B25) also available.

Lumen Maintenance - Minimum 35,000 hours L70 life based on ANSI TM-21 calculations from LM80 standardized test results.

Thermal Management

Effective thermal dissipation facilitated by integral aluminum heat sink for maximum heat rejection to provide long LED life.

Driver

Electronic Constant Current driver integrally mounted in fixture casing.

Dimming

Works with 2-wire incandescent dimmers and 3-wire ELV Dimmers. Dims to 0%, completely off with standard incandescent dimmers. Factory qualified for use with Luton brand dimmers: S600PR, DVSCCL-153P & DV600PR as well as Leviton IP106-600W. (UE-D10) 0-10V dimming works with most 5-wire, 0-10V dimmers. Factory qualified for use with Leviton IP710-DLZ.

Finish

Available in All Black (B), All White (W), and Silver (S). Silver is special order.

Safety Labels

ETL/cETL listed. Suitable for dry locations only.

Caution

Fixtures must be grounded in accordance with national, state and/or local electrical codes. Failure to do so may result in serious personal injury.

Warranty

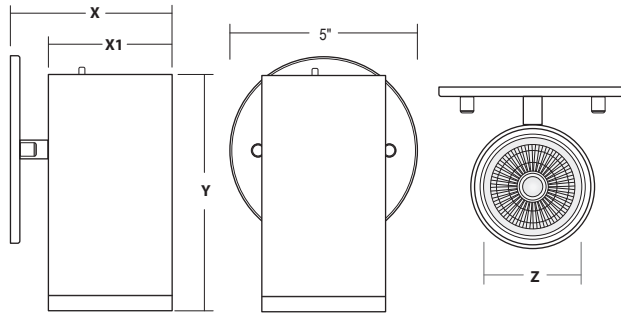
Covered by a 3-Year Warranty to be free of defects in materials and craftsmanship. Recommended for applications where ambient temperatures do not exceed 35°C, installations exceeding this temperature will result in reduced LED lamp life and voided warranty.

Quick Ship Items

Luminaires with 120V 2-Wire/incandescent/ELV Dimming, and 45° flood ordering options are Quick Ship.

LWMLD4C3 - CYLO 1-DIRECTION WALL MOUNT, 1000LM - 3600LM (10W - 36W)

- 15°, 25°, or 45° beam angle for accent lighting
- Internally mounted LED driver
- Available in 3000K, 3500K, 4000K, and ColorSelect
- Zero percent dimming standard, smoothly dims to off with incandescent dimmers
- 90 CRI Standard



FIXTURE	X	X1	Y	Z
LWMLD4C311	3-1/4"	2-1/4"	3-3/4"	1-5/8"
LWMLD4C321	4"	3"	4-1/8"	2-5/8"
LWMLD4C331	4-1/4"	3-1/4"	6-1/4"	2-5/8"
LWMLD4C341	4-1/4"	3-1/4"	7-1/8"	2-5/8"



ORDERING – Example: LWMLD4C311W-B15-T30

Fixture	Finish	Dimming	Beam Spread	Color Temperature
Fixture		Dimming	Beam Spread	Color Temperature
Cylo Wall Mount 1000lm (10W)	LWMLD4C311	120V 2-Wire/ Incandescent/ ELV Dimming	45° Flood Blank 15° Spot -B15 25° Narrow -B25	3000K (90CRI) -T30 3500K (90CRI) -T35 4000K (90CRI) -T40 ColorSelect -TS354 3000K/3500K/4000K (90CRI)
Cylo Wall Mount 1800lm (20W)	LWMLD4C321			
Cylo Wall Mount 2700lm (28W)	LWMLD4C331			
Cylo Wall Mount 3600lm (36W)	LWMLD4C341			
Finish				
All Black	B			
All White	W			
Silver	S¹			

¹Silver (S) finish is special order.

SPECIFICATION

Description

The Cylo 1-Direction Wall Mount is available in (4) sizes from 2-1/4 to 3-1/4" diameter.

With (3) beam spread options, and a small size, it is a great accent lighting solution for retail, commercial and residential applications.

The luminaire's durable aluminum body is available in Black, White, or special order Silver finish, with a COB (chip on board) light engine providing 1000lm (10W) to 3600lm (36W) light output.

An internally mounted driver offers ease of installation and provides a clean unobtrusive look.

Housing

Round one-piece CNC spun aluminum cylinder with threaded lens cap mounted on aluminum arm, and 5" round mounting plate. Mounting plate mounts to standard 3-1/2 junction box with (2) threaded screws.

Lens

Multifaceted polycarbonate Total Internal Reflection (TIR) optic.

Light Source

LED Light Engine - 120V COB (Chip on Board) 1000lm (10W) - 3600lm (36W).

Color Temperature - Available in 3000K, 3500K, 4000K and ColorSelect 3000K/3500K/4000K. 90 CRI standard.

Beam Spread - Comes standard with 45° Flood, 15° Spot (-B15) and 25° Narrow Flood (-B25) also available.

Lumen Maintenance - Minimum 35,000 hours L70 life based on ANSI TM-21 calculations from LM80 standardized test results.

Thermal Management

Effective thermal dissipation facilitated by integral aluminum heat sink for maximum heat rejection to provide long LED life.

Driver

Electronic Constant Current driver integrally mounted in fixture casing.

Dimming

Works with 2-wire incandescent dimmers and 3-wire ELV Dimmers. Dims to 0%, completely off with standard incandescent dimmers. Factory qualified for use with Luton brand dimmers: S600PR, DVSCCL-153P & DV600PR as well as Leviton IP106-600W.

Finish

Available in All Black (B), All White (W), and Silver (S). Silver is special order.

Safety Labels

ETL/cETL listed. Suitable for dry locations only.

Caution

Fixtures must be grounded in accordance with national, state and/or local electrical codes. Failure to do so may result in serious personal injury.

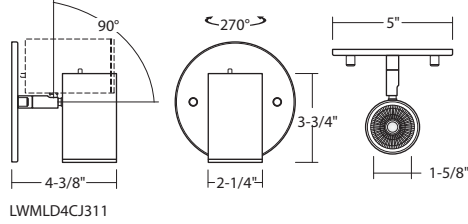
Warranty

Covered by a 3-Year Warranty to be free of defects in materials and craftsmanship. Recommended for applications where ambient temperatures do not exceed 35°C, installations exceeding this temperature will result in reduced LED lamp life and voided warranty.

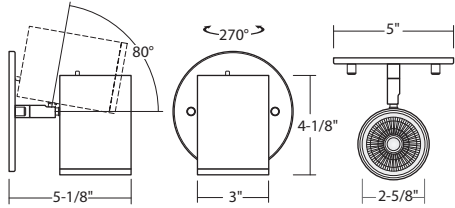
LWMLD4CJ3 - CYLO

ADJUSTABLE MONOPOINT 1000LM & 1800LM (10W & 20W)

- Highly adjustable 270° rotation and 80°- 90° pivot
- Internally mounted LED driver
- Available in 3000K, 3500K, 4000K, and ColorSelect
- Zero percent dimming standard, smoothly dims to off with incandescent dimmers
- 90 CRI Standard



LWMLD4CJ311



LWMLD4CJ321

Adjustable Monopoint for Wall/Ceiling Mount



ORDERING – Example: LWMLD4CJ311W-B15-T30

Fixture	Finish	Dimming	Beam Spread	Color Temperature	
Cylo Adjustable Monopoint 1000lm (10W)	LWMLD4CJ311	120V 2-Wire/ Incandescent/ ELV Dimming	Blank	45° Flood Blank 15° Spot -B15 25° Narrow -B25	3000K (90CRI) Blank 2700K (90CRI) -T27 3500K (90CRI) -T35 4000K (90CRI) -T40 ColorSelect 3000K/3500K/4000K (90CRI) -TS354
Cylo Adjustable Monopoint 1800lm (20W)	LWMLD4CJ321				
Finish					
All Black	B				
All White	W				
Silver	S¹				

¹Silver (S) finish is special order.

SPECIFICATION

Description

The Cylo 2", and 3" Adjustable Monopoint is available in 2-1/4" and 3" diameter sizes, and features 270° rotation and 80°- 90° pivot. Its small size and adjustability make it ideal as an accent spotlight for retail, commercial and residential applications.

The luminaire's durable aluminum body is available in Black, White, or special order Silver finish, with a COB (chip on board) light engine providing 1000lm (10W), and 1800lm (20W) light output.

An internally mounted driver offers ease of installation and provides a clean unobtrusive look.

Housing

Round one-piece CNC spun aluminum cylinder with threaded lens cap. Cylinder rotates, and pivots from aluminum arm and 5" round mounting plate. Mounting plate mounts to standard 3-1/2 junction box with (2) threaded screws

Reflector

Multifaceted polycarbonate Total Internal Reflection (TIR) optic.

Light Source

LED Light Engine - 120V COB (Chip on Board) 1000lm (10W), and 1800lm, (20W).

Color Temperature - Available in 3000K, 3500K, 4000K and ColorSelect 3000K/3500K/4000K. 90 CRI standard.

Beam Spread - Comes standard with 45° Flood, 15° Spot (-B15) and 25° Narrow Flood (-B25) also available.

Lumen Maintenance - Minimum 35,000 hours L70 life based on ANSI TM-21 calculations from LM80 standardized test results.

Thermal Management

Effective thermal dissipation facilitated by integral aluminum heat sink for maximum heat rejection to provide long LED life.

Driver

Electronic Constant Current driver integrally mounted in fixture casing.

Dimming

Works with 2-wire incandescent dimmers and 3-wire ELV Dimmers. Dims to 0%, completely off with standard incandescent dimmers. Factory qualified for use with Luton brand dimmers: S600PR, DVSCCL-153P & DV600PR as well as Leviton IP106-600W.

Finish

Available in All Black (B), All White (W), and Silver (S). Silver is special order.

Safety Labels

ETL/cETL listed. Suitable for dry locations only.

Caution

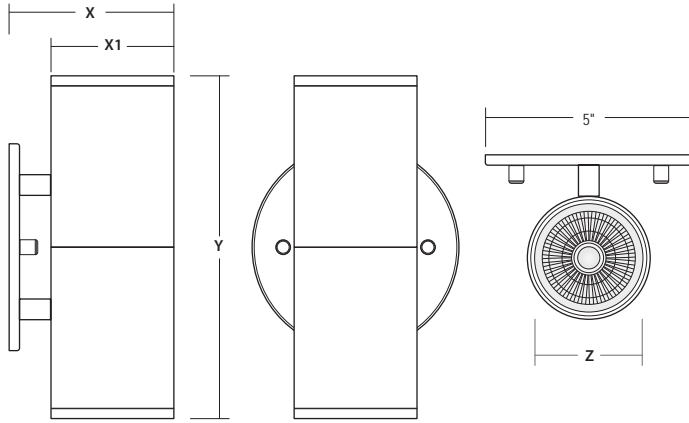
Fixtures must be grounded in accordance with national, state and/or local electrical codes. Failure to do so may result in serious personal injury.

Warranty

Covered by a 3-Year Warranty to be free of defects in materials and craftsmanship. Recommended for applications where ambient temperatures do not exceed 35°C, installations exceeding this temperature will result in reduced LED lamp life and voided warranty.

LWMLD4C23 - CYLO 2-DIRECTION WALL MOUNT, 2 x 1000LM (20W) & 2 x 1800LM (40W)

- High power, 2-direction wall mount up to 2 x 1800lm (40W)
- Internally mounted LED driver
- Zero percent dimming standard, smoothly dims to off with incandescent dimmers
- 90 CRI Standard



FIXTURE	X	X1	Y	Z
LWMLD4C2311	3-1/4"	2-1/4"	7-1/2"	1-5/8"
LWMLD4C2321	4"	3"	8-1/4"	2-5/8"



ORDERING – Example: LWMLD4C2311W-B15-T30

Fixture	Finish	Dimming	Beam Spread	Color Temperature
Cylo 2-Direction Wall Mount 2 x 1000lm (20W)	LWMLD4C2311	120V 2-Wire/ Incandescent/ ELV Dimming	45° Flood Blank 15° Spot -B15 25° Narrow -B25	3000K (90CRI) -T30 3500K (90CRI) -T35 4000K (90CRI) -T40
Cylo 2-Direction Wall Mount 2 x 1800lm (40W)	LWMLD4C2321			
Finish				
All Black	B			
All White	W			
Silver	S¹			

¹Silver (S) finish is special order.

SPECIFICATION

Description

The Cylo 2-Direction Wall Mount is available in 2-1/4", and 3" diameter sizes.

The luminaire's indirect uplight feature provides additional ambience and visual interest in retail, commercial and residential applications.

The luminaire's durable aluminum body is available in Black, White, or special order Silver finish, with a COB (chip on board) light engine providing 2 x 1000lm (20W) and 2 x 1800lm (40W) light output.

An internally mounted driver offers ease of installation and provides a clean unobtrusive look.

Housing

Round two-piece CNC spun aluminum cylinder with threaded lens caps top and bottom. Cylinder is mounted with (2) aluminum arms to 5" round mounting plate. Mounting plate mounts to standard 3-1/2" junction box with (2) threaded screws

Reflector

Multifaceted polycarbonate Total Internal Reflection (TIR) optic.

Light Source

LED Light Engine - 120V COB (Chip on Board) 2 x 1000lm (20W), and 2 x 1800lm (40W).

Color Temperature - Available in 3000K, 3500K, 4000K. 90 CRI standard.

Beam Spread - Comes standard with 45° Flood, 15° Spot (-B15) and 25° Narrow Flood (-B25) also available.

Lumen Maintenance - Minimum 35,000 hours L70 life based on ANSI TM-21 calculations from LM80 standardized test results.

Thermal Management

Effective thermal dissipation facilitated by integral aluminum heat sink for maximum heat rejection to provide long LED life.

Driver

Electronic Constant Current driver integrally mounted in fixture casing.

Dimming

Works with 2-wire incandescent dimmers and 3-wire ELV Dimmers. Dims to 0%, completely off with standard incandescent dimmers. Factory qualified for use with Luton brand dimmers: S600PR, DVSCCL-153P & DV600PR as well as Leviton IP106-600W.

Finish

Available in All Black (B), All White (W), and Silver (S). Silver is special order.

Safety Labels

ETL/cETL listed. Suitable for dry locations only.

Caution

Fixtures must be grounded in accordance with national, state and/or local electrical codes. Failure to do so may result in serious personal injury.

Warranty

Covered by a 3-Year Warranty to be free of defects in materials and craftsmanship. Recommended for applications where ambient temperatures do not exceed 35°C, installations exceeding this temperature will result in reduced LED lamp life and voided warranty.