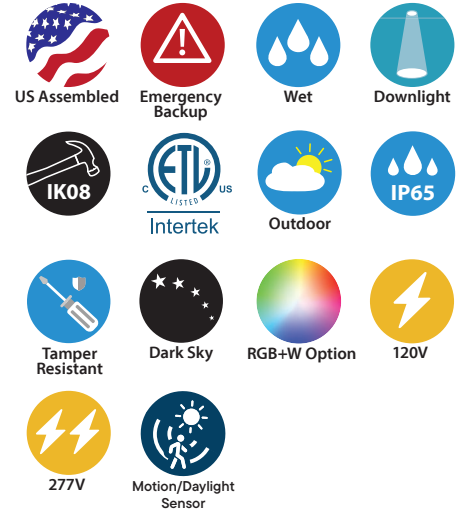
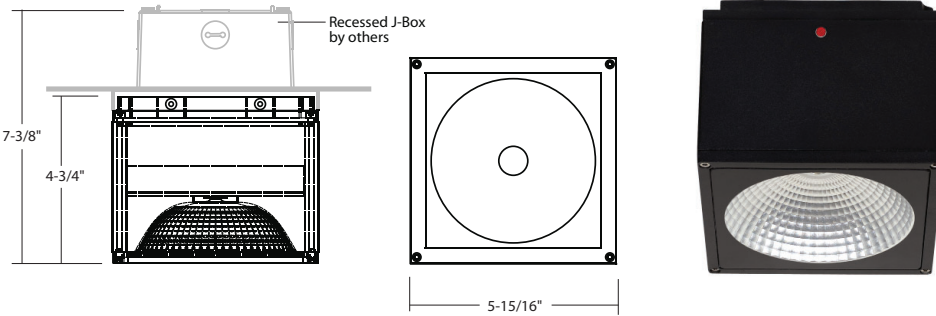


# DLQ360EM : 6" SQUARE

CEILING DOWNLIGHT W/ INTEGRAL EMERGENCY (IP65)  
 1000LM-2600LM (10W-30W)



- Energy efficient, low glare LED Chip-On-Board light engine
- Beam spreads include NS, SP, FL, WFL and Pencil Beam
- Wall Wash Optics available
- Integral Emergency
- Integral Surface J-Box Option
- 5-Year Limited Warranty
- IK08 Rated

## ORDERING : DLQ360EMW-L15-B20UE-D10-T30-JB

### DLQ360EM

Fixture	Finish	Lumen	Optics	Control	LED	Options
<b>Finish</b>			<b>Optics</b>	<b>Control</b>	<b>LED</b>	
White (RAL 9003)	<b>W</b>		<i>Standard Beams</i>	Non-Dimming (120V)	<b>Blank</b>	4000K (90 CRI) <b>Blank</b>
Silver (RAL 7037)	<b>S</b>		Wide Flood	0-10V Dimming (120V/277V)	<b>UE-D10</b>	2700K (90 CRI) <b>-T27</b>
Bronze (RAL 8019)	<b>BZ</b>		Narrow Spot	0-10V Dimming (1%) (120V/277V)	<b>UE-D10P1</b>	2700K (97 CRI) <b>-T27-C97<sup>2</sup></b>
Black (RAL 9005)	<b>B</b>		Spot	UniSense - Integral Motion/Photosensor (120V)	<b>-SUN-INT<sup>5</sup></b>	3000K (90 CRI) <b>-T30</b>
Light Silver (RAL 7036)	<b>LS<sup>1</sup></b>		Flood	UniSense - Integral Motion/Photosensor (120V/277V)	<b>-SUN-INT-1227<sup>5</sup></b>	3000K (97 CRI) <b>-T30-C97<sup>2</sup></b>
Dark Grey (RAL 7015)	<b>DG<sup>1</sup></b>		<i>CleanBeam™ Option</i>	Casambi Wireless Dimming (120V/277V)	<b>-DCSM<sup>6</sup></b>	3500K (90 CRI) <b>-T35</b>
Metallic Gold (RAL 1001)	<b>MG<sup>1</sup></b>		10° Pencil Beam	BubblyNet Wireless System (120V/277V)	<b>-DBNT<sup>6</sup></b>	5000K (80 CRI) <b>-T50</b>
Metallic Black (RAL 7021)	<b>MB<sup>1</sup></b>			SimplySnap Wireless System (120V/277V)	<b>-DSYN<sup>7</sup></b>	RGB+W Control (24VDC) <b>-RGBWV24<sup>3</sup></b>
<b>Lumen</b>			<i>Specialty Beams</i>			<b>Options</b>
1000lm (10W)	<b>Blank</b>		Wall Wash			None <b>Blank</b>
1500lm (15W)	<b>-L15</b>		Asymmetric (30° x 60°)			Frosted Lens <b>-FR</b>
2200lm (22W)	<b>-L20</b>					Hex-Cell Louver <b>-LVR<sup>4</sup></b>
2600lm (30W)	<b>-L26</b>					Photocell Sensor <b>-SDL</b>
						Integral J-Box <b>-JB</b>
						Surge Protector <b>-SRG</b>
						Marine Grade Finish <b>-MGD<sup>1</sup></b>

<sup>1</sup> Special Order Finish. Minimum order quantity (MOQ) applies. Orders less than MOQ are subject to a special paint set-up fee for the quantity ordered. Extended lead times may apply. Consult Factory.  
<sup>2</sup> Special Order. Minimum order, extended lead time may apply. Consult factory.  
<sup>3</sup> Remote Power Supplies and Control Gear Required, Available with Wireless Bluetooth or DMX Control. Consult Factory for Details.  
<sup>4</sup> (-LVR) Hex-Cell Louver is not compatible with CleanBeam Option (-CB10).  
<sup>5</sup> (-SUN-INT) sensor integrated into the reflector. Consult Factory for layout assistance or alternate sensor mounting. Must be ordered with (-JB).  
<sup>6</sup> Special Order. Must be ordered with (-JB).  
<sup>7</sup> Special Order. Sent with surface mount JBOX to allow for direct-conduit entry.

347V Input with 0-10V Dimming available. Consult factory for lead times.  
 Custom RAL Color: Please note that we appreciate custom finishes. Custom finishes are subject to a special paint setup fee for the quantity ordered. Extended lead times may apply. Consult Factory.

2025.06.18

## SPECIFICATION

### Application

This DL series covered ceiling mount downlight can be used for surface ceiling or pendant mount in both interior and outdoor settings. Typical locations are in commercial and retail spaces that require lighting from above. Dark sky compliant.

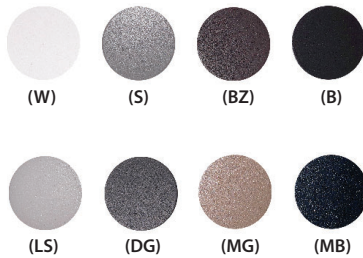
### Housing

Housing is constructed from a square one piece high grade aluminum extrusion. (Alloy 6061 <04% Cu). Faceplate (with a tempered glass lens) and top cap are of a robust die-cast aluminum alloy and are secured to the housing with (4) socket head tamper resistant stainless steel screws and seal the housing (top and bottom) using silicone gaskets.

### Mounting:

A mounting bracket attaches to or over a recessed J-Box (by others) and has through holes to accept (4) four countersunk phillips head screws in the top edge of the fixture housing.

### Finish:



A 7-stage electrostatic, polymer process provides an outdoor textured powder coat finish that delivers outstanding durability, superior anti-aging, resistance to corrosion and UV-degradation. Consult factory for Custom Color. (More Information)

#### Standard Finishes:

White: RAL 9003 (W)  
Silver: RAL 7037 (S)  
Bronze: RAL 8019 (BZ)  
Black: RAL 9005 (B)

#### Special Order Finishes:

Light Silver: RAL 7036 (LS)  
Dark Gray: RAL 7015 (DG)  
Metallic Gold: RAL 1001 (MG)  
Metallic Black: RAL 7021 (MB)

### Marine Grade:

The fixture features a marine-grade textured powder coat finish engineered to withstand extreme environmental conditions, including prolonged exposure to UV radiation, salt air, and moisture, which are prevalent in coastal and high-humidity environments.

A multi-stage surface preparation, finishing, and curing process ensures maximum adhesion, durability, and corrosion resistance. The coating system undergoes rigorous salt spray (ASTM B117) testing, overbake resistance verification, and pencil hardness testing to validate its robustness against degradation.

The marine-grade powder coat is applied as a 30–50 µm bottom layer, providing a strong anti-corrosion foundation. This is further enhanced by a surface coat using a standard architectural-grade powder application with a total thickness of 80–120 µm, ensuring superior resistance to wear, impact, and environmental stressors.

### Certifications and Listings:



ETL / cETL Listed to UL1598 and UL8750 standards.

Suitable wet locations. (IP65)

Assembled in USA.

IK08 rated for impact resistance.

## SPECIFICATION (Continued)

**Caution:** LITON recommends use of surge protectors on the power entering LED Housings. Surge damage is not covered by warranty. (See option SRG)

### Warranty

Covered by a 5-Year Warranty to be free of defects in materials and craftsmanship. Fixture should not be installed in applications with ambient temperature above 50°C/122°F. Doing so will result in reduced lamp life and voided warranty.v

### Optics

Multifaceted aluminum reflector produces low glare illumination with multiple light control options.

### Standard Beam:

Used for maximum light output and visible field angle.

### LED

COB (Chip on Board) singular LED light source provides for smooth, uniform light output, eliminating the imaging produced by multiple LED source optics.

### Lumen Maintenance:

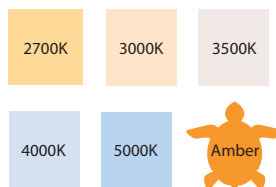
Lumen Maintenance is a minimum 50,000 hours L70 life based on ANSI TM-21 calculations from LM80 standardized test results.

### Lumen Options (Nominal):

1000lm (10W) (Blank)  
1500lm (15W) (-L15)  
2200lm (22W) (-L20)  
2600lm (30W) (-L26)

### Color Temperature:

Binned with 4-step MacAdam ellipses as per ANSI Standard recommendation.



COLOR TEMP: 2700K 3000K 3500K 4000K 5000K  
CRI: 90, 97 90, 97 90 90 80

Amber: 590nm

### RGB+W:



15W RGB+W LED Module Illuminates surfaces up to 10 feet away. Used for applications desiring a dynamic color changing effect. RGB+W design allows fine-tuned pastel colors and saturated hues without sacrificing illumination brightness. Can be set for static colors or dynamic shows. Multiple control options available with either Wireless Bluetooth control or DMX 512 remote mounted decoders.

On-site commissioning and programming available.

Consult Factory for Layout Assistance and Lead Times.

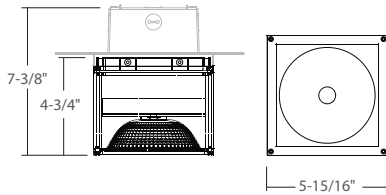
## SPECIFICATION (Continued)

### Emergency

In the event of a power failure, the LED Emergency backup switches to the emergency mode with the integral EM/Driver providing 10W of output to operate the fixture for 90 minutes. Works for all lumen packages.

### Options

#### Optional J-Box (Direct Conduit Entry):



For use with mounting locations without a recessed junction box.  
Factory installed outlet box with five (5) 1/2 NPSM trade conduit holes and plugs (1 top, 4 sides) for 1/2 in. trade conduit and wire entry.

Configure as:

-JB: (5) conduit entry from left or right looking at fixture

#### Photocell (/SDL):



Sensor enables automatic on/off operation based on ambient light levels, providing dusk-to-dawn functionality.

Power Consumption: .5W

Voltage: 120V, 277V

On/Off Levels: On @ 0-2fc / Off @ 2fc or more

Warranty: 2-Year / 5,000 Cycles

Sensor Size: 3/8"

Rating: UL/cUL

#### Surge Suppressor (/SRG):



Protects driver against surges in line voltage/current (20KV, 1.2/50µS & 10KA, 8/20µS).

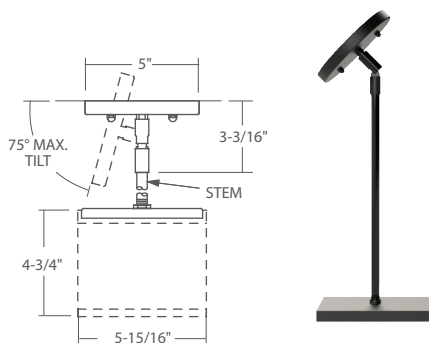
Provides a positive indication of end-of-life by opening voltage to the load.

Surge suppressor is a perishable device requiring periodic replacement.

Not a warranted item.

#### Pendant Mounting:

See spec sheet [LPCMDLQ6](#) for details and configuration



## SPECIFICATION (Continued)

### Electrical

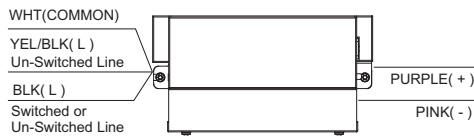
LED Driver: AC 50/60Hz Electronic Direct Current Class 2 driver integrally mounted.  
Power Factor > 0.90. See Dimming Section for voltage and wiring.

Minimum Operating Temperature:  
Standard: -0°C/32°F

### Control Options

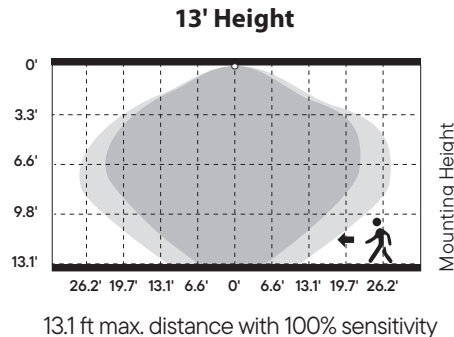
#### 0-10V Driver 120V/277V (UE-D10):

Compatible with most existing 0-10V systems. Also known as fluorescent or 5-Wire dimming. Allows smooth dimming down to 5% depending upon the dimmer's limitations. Compatible with daylight harvesting controls.



### Unisense™ PROGRAMMABLE MOTION + DAYLIGHT (-SUN-INT, -SUN-INT-1227)

- Microwave and PIR (Passive Infrared) sensors depending on option
- Daylight harvesting
- Dusk/dawn sensing capabilities
- Motion Sensor



Well Detected Area    Possibly Detected Area    1.6-3.3 ft/s