

2" Continuum Linear LED Recessed Mount (RS/RG/RV) 350lm-1340lm (4W-18W)

Housing: Continuous, 6063-T5 extruded aluminum with a minimalistic profile of 2" wide x 2', 4', 8' feet long standard plus custom lengths available. Systems more than 8' long, specify DMCS_plus the # of feet. Joined with connecting brace for ease of installation to assure a uniform appearance. LEED compliant. 65% recycled materials.

Remote Electrical Enclosure: 18W per foot Max. 120V/277V or 347V input. Active PFC to conserve power consumption. Over voltage, over current, over temperature and short circuit protection. EMI & RFI meets FCC part 15 (Class A) Auto Recovery. UL/CSA Listed.

Enclosure mounted above ceiling via bar hangers or EMT. 0-10V Dimming Standard. Optional DALI and ELV available with extended lead times. (see Dalume.com for compatible dimmers). Emergency Back-up options available. *Additional surge protection with this unit is recommended (supplied by others). Surge damage is not covered by warranty. Total wattage load is determined by the driver and number for modules used, see page 2 for details.*

Mounting/Power Source:

Universal mounting to any structural surface. 3/8" spacing from wall. All power source components accessible from Remote Electrical Enclosure. 50' or less distance luminaire with 16 AWG wire. 1" x 4" mounting J-Box included with (2) 1/2" KO's. See drop voltage chart for longer distances. (www.liton.com)

- 1/2" Metal Flange (RV)
- Grid Ceilings (RG)
- Trimless Spackle Flange (RS)

Shielding

- Standard High Performance frosted lens to neutralize multi-shadow effect.
- 1/2" Regressed frosted lens (H)
- 30° Wallwash (WW)
- 2" Drop Lens (2DP)
- 0.5" Drop Lens (0.5DP)

Finishes: Standard interior color white. (Smooth Gloss: Cardinal T007 -WH121/RAL9003).

Optics: Premium binned LEDs provide exceptional reliability, performance and color consistency.

- High CRI of 80+ for accurate color presentation. Consult factory of 90+ CRI.
- Lumens Delivered : 4W (230lm) / 9W (630lm), 12W (835LM), 18W (2260LM) Module per foot
- Color Temperatures (+/- 100K) 2700K, 3000K, 3500K, 4000K, 5000K, Color Changing RGBW 4W or 8W per foot.
- L70 @ 80,000 hours with 25°C Ambient

Weight: 1.5lbs. per foot.

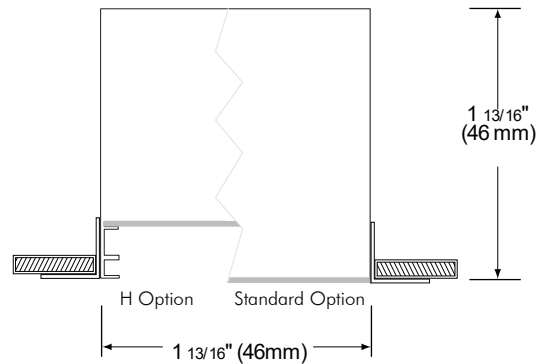
Warranty: Complete 5 year Warranty.

For U.S. MADE, CONSULT FACTORY

CUSTOM PRODUCT



Channel Profile



2025.03.04

Ordering

Example: DMC812-40K-WW-RG

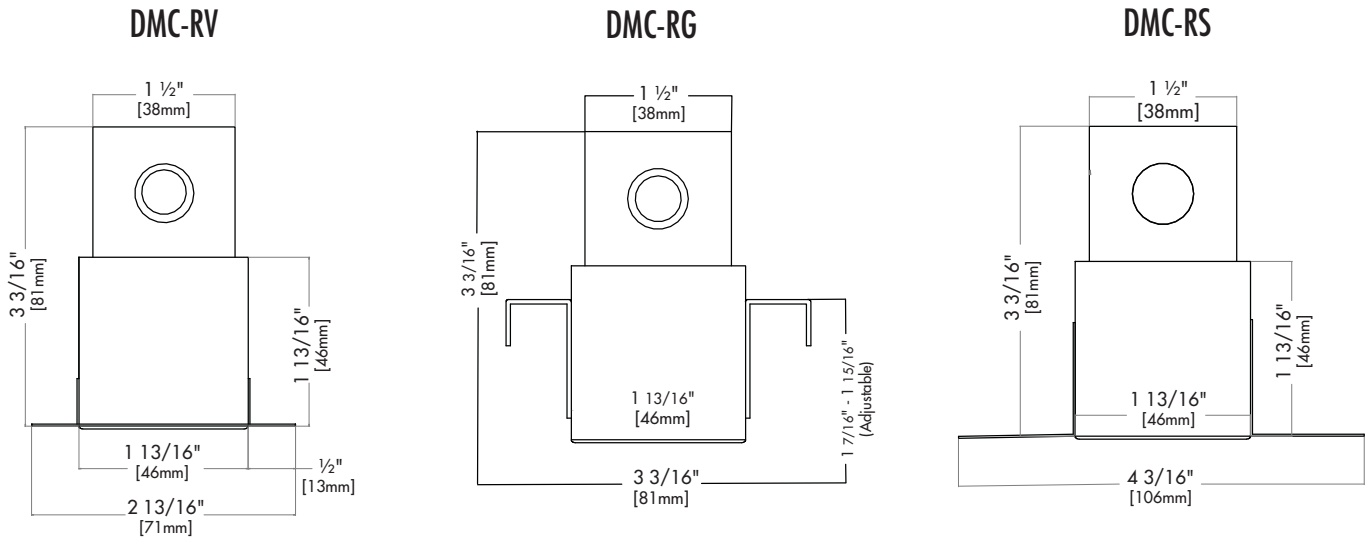
CHANNEL	WATT/FT	COLOR TEMP.	LENS/SHIELDING	MOUNTING	REMOTE DRIVER	OPTIONS
DMC2 :2 Ft	-04 :4W (230lm)	-27K : Incandescent White ^{1*}	-Blank : Frosted Lens	-RS Trimless	-Blank : 120/277V 0-10V Dim	-Blank : 1 Circuit
DMC4 :4 Ft	-09 :9W (630lm)	-30K : Warm White ^{1*}	-H : Regressed Lens ²	-RG : Grid		-C# : #Circuits
DMC8 :8 Ft	-12 :12W (835lm)	-35K : Neutral White	-WW : Wallwash	-RV Visible Flange	-DL : DALI Dim.*	-EM#_ : EM Back-Up*
DMCS_ :per / #Ft.	-18 :18W (1340lm) ³	-40K : Cool White	-0.5DP : 0.5"		-ELV : 120V Dim.	-CC* : Custom Color*
		-50K : Cool White*	-2DP : 2" Drop Lens		-34D : 347V 0-10V Dim.*	
		-RGBW : Color Changing*				



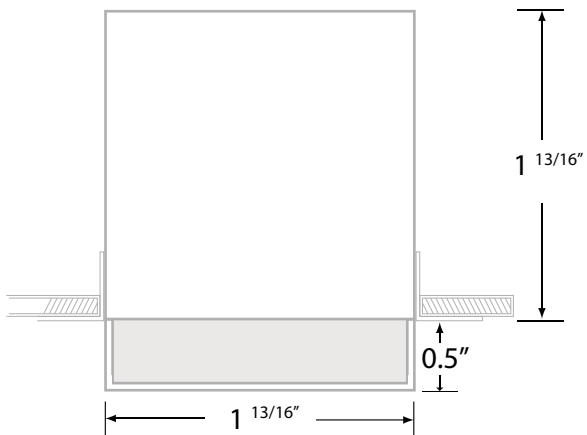
Specifications subject to change without notice

2" Continuum Linear LED Recessed Mount (RS/RG/RV) 350lm-1340lm (4W-18W)

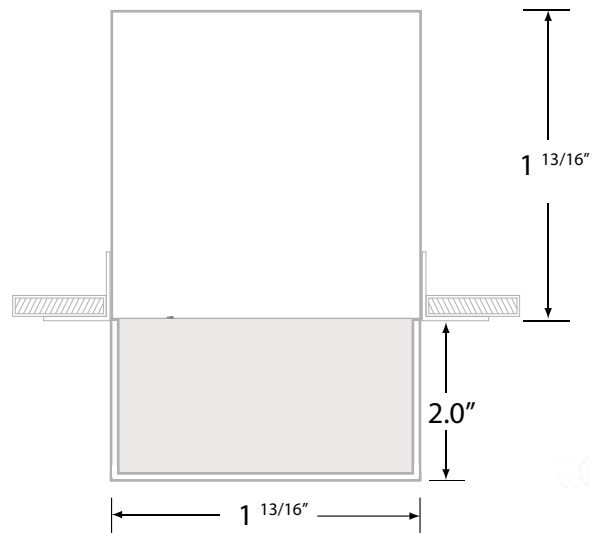
Channel Profile (continued)



Channel Profile: 0.5 DP Option (Direct)



Channel Profile: 2 DP Option (Direct)



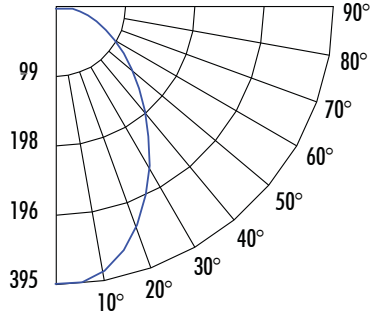
2023.03.16

2" Continuum Linear LED Recessed Mount (RS/RG/RV) 350lm-1340lm (4W-18W)

Performance

1 Foot Section

12W RECES-MOUNT DIRECT



OUTPUT PERFORMANCE

DIRECT

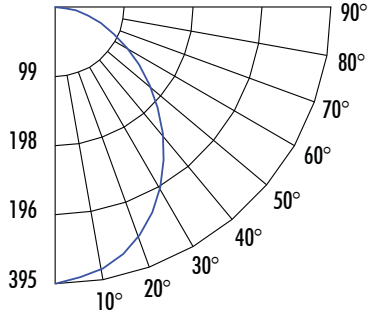
DMC1-12-40K-D
 12W Module, 4000K
 IESNA: LM-79-08

Delivered Lumens: 835 per foot
 Luminaire Efficacy (LER): 64.0%
 CRI: 80+

Luminance (cd/sq.m)			
Angle	Average 0°	Average 45°	Average 90°
45°	17672	9499	7727
55°	14433	6764	5409
65°	11253	4576	3685
75°	7843	2751	2315
85°	3589	1204	1170

Zonal Lumen Summary	
Zone	0°
0 - 10	37.00
10 - 20	101.81
20 - 30	142.25
30 - 40	153.36
40 - 50	140.81
50 - 60	114.09
60 - 70	81.10
70 - 80	47.56
80 - 90	17.07
90 - 100	24.26

18W RECESS-MOUNT DIRECT



OUTPUT PERFORMANCE

DIRECT

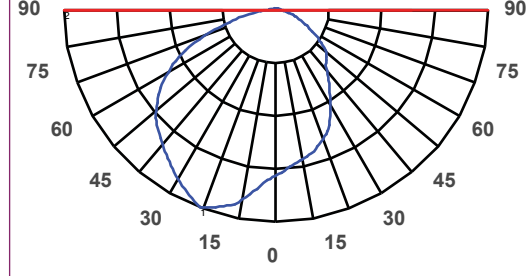
DMC1-18-40K-D
 18W Module, 4000K
 IESNA: LM-79-08

Delivered Lumens: 1340 per foot
 Luminaire Efficacy (LER): 66.0%
 CRI: 80+

Luminance (cd/sq.m)			
Angle	Average 0°	Average 45°	Average 90°
45°	27210	14668	11929
55°	22227	10415	8353
65°	17404	7067	5687
75°	12033	4243	3549
85°	5590	1854	1827

Zonal Lumen Summary	
Zone	0°
0 - 10	57.09
10 - 20	156.98
20 - 30	219.32
30 - 40	236.45
40 - 50	217.05
50 - 60	175.87
60 - 70	125.05
70 - 80	73.30
80 - 90	26.33
90 - 100	37.36

12W SURFACE-MOUNT WALLWASH



OUTPUT PERFORMANCE

Wallwash

DMC1-12-WW-40K-S
 12W Module, 4000K
 IESNA: LM-79-08

Delivered Lumens: 962 per foot
 Luminaire Efficacy (LER): 100.1%
 CRI: 80+

Zonal Lumen Summary			
Zone	Lumens	%Lamp	%Fixt
0-30	254.9	26.5	26.5
0-40	412.25	42.9	42.8
0-60	735.03	76.45	76.4
0-90	941.53	97.9	97.8
90-120	13.97	1.5	1.5
90-130	16.5	1.7	1.7
90-150	19.84	2.1	1.7
90-180	21.17	2.2	2.2
0-180	962.69	100.1	100

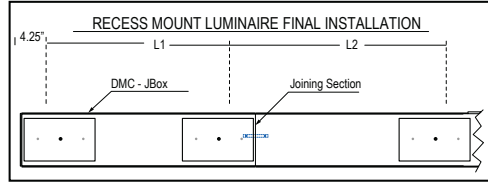
Zonal Lumen Summary	
Zone	0°
0 - 10	24.9
10 - 20	79.76
20 - 30	136.88
30 - 40	180.12
40 - 50	192.93
50 - 60	167.14
60 - 70	114.96
70 - 80	60.61
80 - 90	21.12
90 - 100	6.41
100 - 110	5.59
110 - 120	5.27
120 - 130	4.85
130 - 140	4.19
140 - 150	3.41
150 - 160	2.62
160 - 170	1.69
170 - 180	.59

2023.03.16

MODULED	DIRECTION	LUMENS*	W/FOOT	AMP/FOOT
12W	Direct	835	13.15W	.109/.047
18W	Direct	1287	19.50W	.162/.070

2" Continuum Linear LED Recessed Mount (RS/RG/RV) 350lm-1340lm (4W-18W)

Mounting/Installation



Luminaire	Length (Nom. Ft.)	End to End*	Equally Spaced	Length (L1)	Length (L2)	Mounting Application
DMC1	1'	12"	1	6"	n/a	
DMC2	2'	24"	2	15.5"	n/a	
DMC3	3'	35.2"	2	26.7"	n/a	
DMC4	4'	46.8"	2	38.3"	n/a	
DMC5	5'	58.4"	2	49.9"	n/a	
DMC6	6'	70"	2	61.5"	70"	
DMC7	7'	81.6"	2	73.1"	81.6"	
DMC8	8'	93.2"	2	84.7"	93.2"	
DMC9	9'	104.8"	2	96.3"	104.8"	
DMC10	10'	116.4"	2	107.9"	116.4"	

Lengths >10, consult factory for exact measurements. *Tolerance +/-0.2"

Remote Electrical Enclosure

Application Note

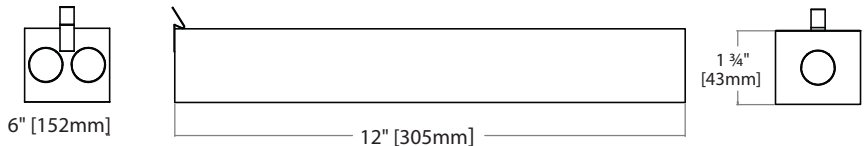
Several factors determine compatibility between a specific driver and Continuum luminaire, including LED output, fixture length and dimming control input (if applicable). Match similar wire label markings to one another as set by factory, if you have any questions, consult factory.

Driver Enclosure

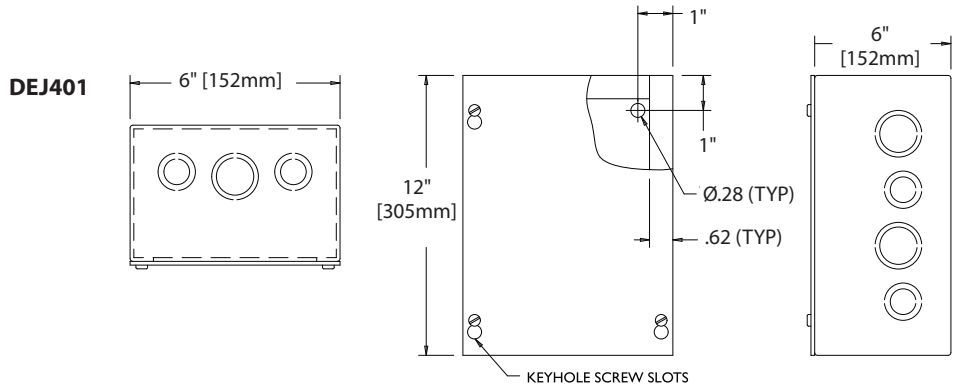
Factory will supply a predetermined number of drivers & enclosures to power the entire system. For individual or specially grouped driver/ enclosure wiring. Please specify QTY of DEJ101 and/or DEJ401.

	A	B	C
DEJ101	2"	12"	1 3/4"
DEJ401	6"	12"	6"

DEJ101



DEJ401



2023.03.16