

2" Continuum Linear LED - Wall Mount (WM) 350lm-1340lm (5W-18W)

CUSTOM PRODUCT

Housing: Continuous, 6063-T5 extruded aluminum profile 2" wide x 2', 4', 8' feet long standard plus custom lengths available. Systems more than 8' long, specify DMC_s_plus the # of feet. Joined with connecting brace for ease of installation to assure a uniform appearance. LEED compliant. 65% recycled materials.

Remote Electrical Enclosure: 18W per foot Max. 120V/277V or 347V input. Active PFC to conserve power consumption. Over voltage, over current, over temperature and short circuit protection. EMI & RFI meets FCC part 15 (Class A) Auto Recovery. UL/CSA Listed.

0-10V Dimming Standard. Optional DALI and ELV available with extended lead times. (see Dalume.com for compatible dimmers). Emergency back-up options available.

Additional surge protection with this unit is recommended (supplied by others). Surge damage is not covered by warranty. Total wattage load is determined by the driver and number for modules used, see page 2 for details.

Mounting/Power Source:

Universal mounting to any structural wall. 3/8" spacing from wall. All power source components accessible from Remote Electrical Enclosure. 50' or less distance luminaire with 16 AWG wire. 1'x4' mounting J-Box included with (8) 1/2" KO's. See drop voltage chart for longer distances.

Shielding

- Standard High Performance frosted lens to neutralize multi-shadow effect.
- 1/2" Regressed frosted lens (H)
- 30° Wallwash (WW)
- 2" Drop Lens (2DP)

Finishes: Standard interior color white. (Smooth Gloss: Cardinal T007-WH121/RAL9003). Custom colors (CC) are available, please specify RAL# or Cardinal Paint#

Optics: Premium binned LEDs provide exceptional reliability, performance and color consistency.

- High CRI of 80+ for accurate color presentation. Consult factory of 90+ CRI.
- Typical Lumens Delivered :12W (835Lm) / 18W (1340Lm) Module per foot
- Color Temperatures (+/- 100K) 2,200K, 2,700K, 3,000K, 3,500K, 4,000K, Color Changing RGBW 4W or 8W per foot
- L70 @ 80,000 hours with 25°C Ambient

Weight: 1.5lbs. per foot.

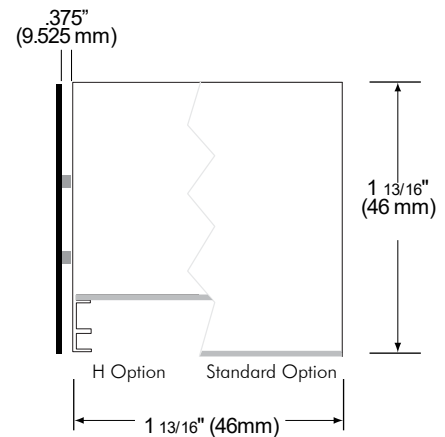
Warranty:

Listing: ETL listed to UL Standards for dry or damp locations. All the same with WMDI but difference in Lineart. ADA compliant : This ADA wall mounted luminaire meets ADA compliance standards. Fixtures mounted between 28-80" above the finished floor may not project more than 4.0" from the wall.

For U.S. MADE, CONSULT FACTORY



Channel Profile



2025.03.04

Ordering

Example: DMC812-40K-H-WMDI

CHANNEL	WATT/FT.	COLOR TEMP.	LENS/SHIELDING	MOUNTING	REMOTE DRIVER	OPTIONS
DMC2 :2 Ft.	-05 :5 Watt(350Lm)	-22K* :Amber	-Blank:Frosted Lens	-WMD :Wall Mount Direct	-Blank :120/277V Dim.	Blank :1 Circuit
DMC4 :4 Ft.	-12 :12 Watt(835Lm)	-27K1* :Incandescent White	-H ² : Regressed Lens		-DL ³ :DALI Dim.	-C# :#Circuits
DMC8 :8 Ft.	-18 :18 Watt(1340Lm)	-30K1* :Warm White	-WW: Wallwash	-WMDI :Wall Mount Direct/Ind.	-ELV ³ :12V Dim.	-EM# : EM Back-Up*
DMCS_ _s :per / #Ft.	-U12 :12W DN/18W UP	-35K :Neutral White	-0.5DP:0.5" Drop Lens		-34D* :347V 0-10V Dim.	-CC : Custom Color*
	-U18 :12W DN/18W UP	-40K :Cool White	-2DP: 2" Drop Lens			
		RGBW ³ :Color Changing				

*Special Order Item, extended lead times may apply. Consult Factory.

¹8W not available in 2700K or 3000K color temperatures.

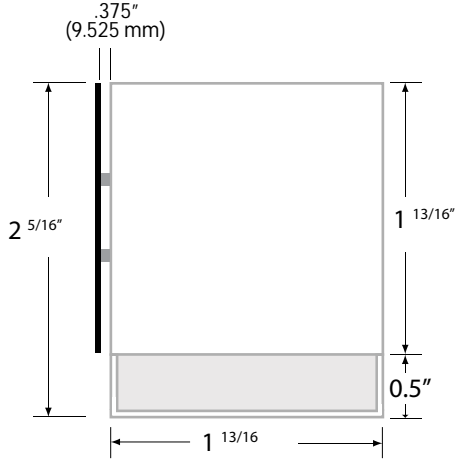
²Regressed Lens not available in wet locations.

³Call for availability.

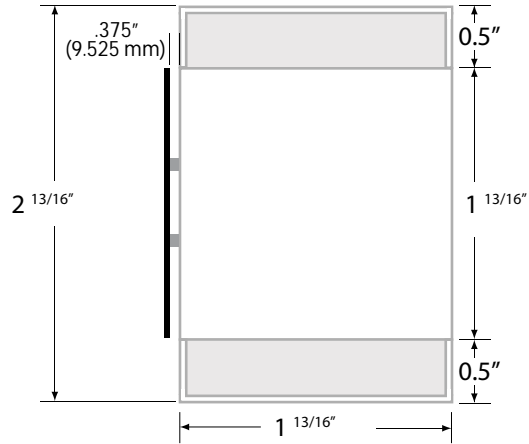
2" Continuum Linear LED - Wall Mount (WM)
350lm-1340LM (15W-18W)

CUSTOM PRODUCT

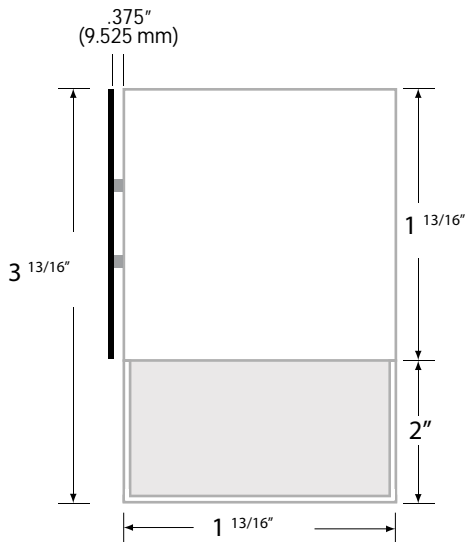
Channel Profile (continued)



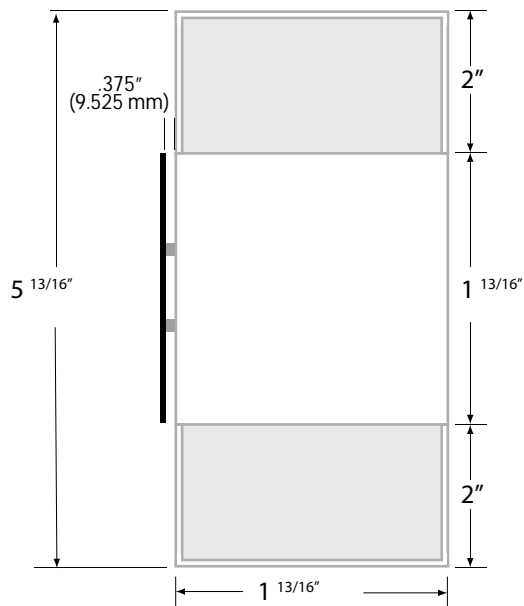
Channel Profile: 0.5 DP Option (Direct)



Channel Profile: 0.5 DP Option (Direct/Indirect)



Channel Profile: 2 DP Option (Direct)



Channel Profile: 2 DP Option (Direct/Indirect)

2022.10.26

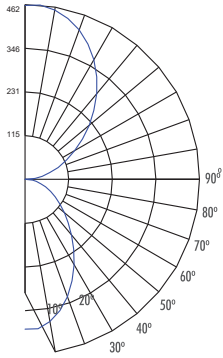
2" Continuum Linear LED - Wall Mount (WM) 350LM-1340LM (5W-18W)

DM 12W Wallwash - Direct

Performance

1 Foot Section

12W WALL-MOUNT DIRECT/INDIRECT



OUTPUT PERFORMANCE

DIRECT/INDIRECT

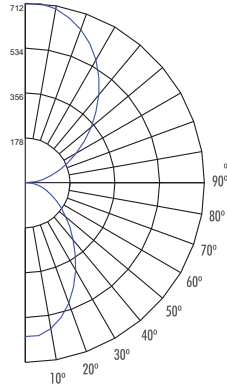
DMC1-12-40K-DI
 12W Module, 4000K
 IESNA LM-79-08

Luminaire Lumens: 1975 per foot
 Luminaire Efficacy Rating (LER): 75%
 CRI: 80+

Luminance (cd/sq.m)			
Angle	Average 0°	Average 45°	Average 90°
45°	17672	9499	7727
55°	14433	6764	5409
65°	11253	4576	3685
75°	7843	2751	2315
85°	3589	1204	1170

Zonal Lumen Summary	
0 - 10	37.00
10 - 20	101.81
20 - 30	142.25
30 - 40	153.36
40 - 50	140.81
50 - 60	114.09
60 - 70	81.10
70 - 80	47.56
80 - 90	17.07
90 - 100	24.26
100 - 110	70.59
110 - 120	121.40
120 - 130	168.52
130 - 140	200.96
140 - 150	207.28
150 - 160	180.61
160 - 170	122.64
170 - 180	43.33

18W WALL-MOUNT DIRECT/INDIRECT



OUTPUT PERFORMANCE

DIRECT/INDIRECT

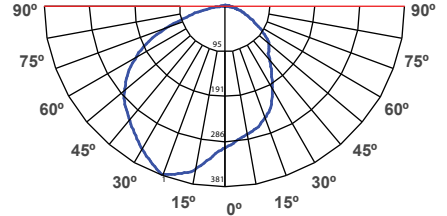
DMC1-18-40K-DI
 18W Module, 4000K
 IESNA LM-79-08

Luminaire Lumens: 3044 per foot
 Luminaire Efficacy Rating (LER): 66%
 CRI: 80+

Luminance (cd/sq.m)			
Angle	Average 0°	Average 45°	Average 90°
45°	27210	14668	11929
55°	22227	10415	8353
65°	17404	7067	5687
75°	12033	4243	3549
85°	5590	1854	1827

Zonal Lumen Summary	
0 - 10	57.09
10 - 20	156.98
20 - 30	219.32
30 - 40	236.45
40 - 50	217.05
50 - 60	175.87
60 - 70	125.05
70 - 80	73.30
80 - 90	26.33
90 - 100	37.36
100 - 110	108.79
110 - 120	187.15
120 - 130	259.83
130 - 140	309.86
140 - 150	319.59
150 - 160	278.48
160 - 170	189.11
170 - 180	66.81

12W WALL-MOUNT DIRECT WALLWASH



OUTPUT PERFORMANCE

WALLWASH

DM1-12-3K-D-WW
 12W Module, 3000K
 IESNA LM-63-2002

Light Efficiency: 49
 Luminaire Efficacy Rating (LER): 100%
 CRI: 80+

Zonal Lumen Summary			
Zone	Lumens	%Lamp	%Fixt
0-30	254.9	26.5	26.5
0-40	412.25	42.9	42.8
0-60	735.03	76.9	76.4
0-90	941.53	97.9	97.8
90-120	13.97	1.5	1.5
90-130	16.5	1.7	1.7
90-150	19.84	2.1	1.7
90-180	21.17	2.2	2.2
0-180	962.69	100.1	100

Zonal Lumen Summary	
0 - 10	29.06
10 - 20	89
20 - 30	136.84
30 - 40	157.35
40 - 50	165.93
50 - 60	156.85
60 - 70	118.8
70 - 80	63.25
80 - 90	24.44
90 - 100	7.89
100 - 110	3.32
110 - 120	2.76
120 - 130	2.54
130 - 140	2
140 - 150	1.34
150 - 160	.8
160 - 170	.38
170 - 180	.14

Mounting: Wall Mount

4000K Linear Performance per foot

MODULE	DIRECTION	LUMENS*	W/FOOT	AMP/FOOT (120V/277V)
12W	Direct	835	13.15W	.109/.047
18W	Direct	1287	19.50W	.162/.070
12W	Indirect/Direct	1975	26.31W	.219/.094
18W	Indirect/Direct	3044	39W	.325/.140

IES and Revit files available via Dalume.com

2" Continuum Linear LED - Wall Mount

350LM-1340LM (5W-18W)

Remote Occupancy & Daylight Sensor

Trim Module

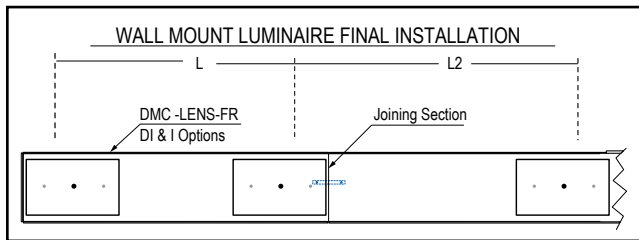
ROS Option offers a 360° PIR (passive infrared) remote occupancy sensor designed for detection of small motion and walking motion. Ideal for small rooms or offices without obstruction or areas with primarily walking motion (e.g. corridors, library stacks).

RDS Option optional integrated photocell enables daylight harvesting control via programmable Push-Button and other features such as:

- 120V-277VAC (Single Phase)
- 0-10V Dimming Controls Compatible
- 15° Lens Rotation - enables adjustment after installation
- Push Button Programmable
- Adjustable Time Delay
- Non-Volatile Settings Memory
- UL and CUL Listed
- Title24 Compliant

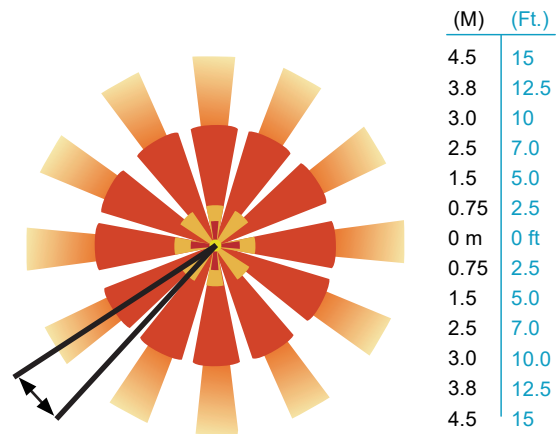
Coverage Pattern

- At the 7.5 ft. (2.29 m) height of a typical pendant mount fixture the sensor provides 10 ft. (3.05 m) radial detection of small motion. At a 9 ft. (2.74 m) height the radius is 12 ft. (3.66 m) for small motion.
- Adequate for walking motion detection from mounting heights between 7.5 ft. (2.29 m) and 20 ft. (6.10 m).
- Initial detection will occur earlier when walking across sensor's field of view than when walking directly at sensor.
- Initial detection of walking motion into long coverage segment will occur at distances of 2x the mounting height up to 15 ft. (4.57 m) and 1.75x up to 20 ft (6.10 m). Lens assembly rotates 15° to enable adjustment in order to line up long segments.



Luminaire Length	# of Supports Equally Spaced	Center to Center Length (L)	Center to Center Length (L2)	Mounting Application
2 ft	2	"		
3 ft		"		
4 ft		"		
5 ft		"		
6 ft		"		
7 ft		"		
8 ft		"		
9 ft		3	"	
10 ft	"			

7.5 ft. Mounting Height



Lens rotates 15° to enable adjustment

2022.10.26

2" Continuum Linear LED - Wall Mount (WM) 350LM-1340LM (5W-18W) Custom Finishes (Wood Grain & Solid)

Dalume's Continuum Linear System is engineered with a heavy gauge 6063-TS extruded aluminum and is offered in standard White powder coat finish. Custom wood pattern finishes may be applied in addition to solid color tones.



LIGHT MAPLE:

Modern & clean wood grain finish fuses well light colored room themes.

<

Specify:
CC-LM



MEDITERRANEAN:

Warm wood grain finish fuses well earth tone room themes.

<

Specify:
CC-Med



REDWOOD:

Deep Redwood grain finish fuses well with dark colored room themes.

<

Specify:
CC-RW



DARK WHEAT:

Bold and bright grain finish is versatile with light & dark colored room themes.

<

Specify:
CC-DW

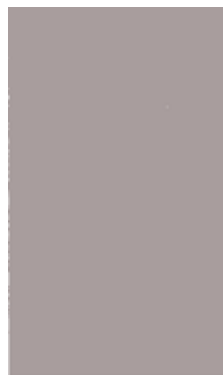


NAT'L WALNUT:

Brown grain finish fuses well with mid-tone colored room themes.

<

Specify:
CC-NW



CUSTOM COLOR:

A solid paint palette to match any creative room.

<

Specify:
CC-

Raal or Pantone color code

2022.10.26