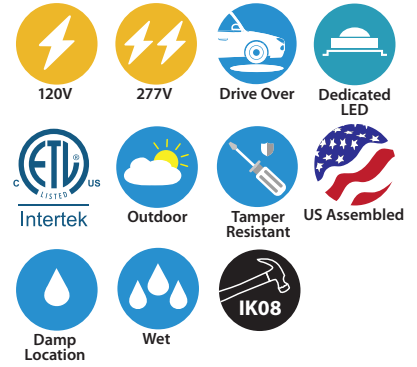
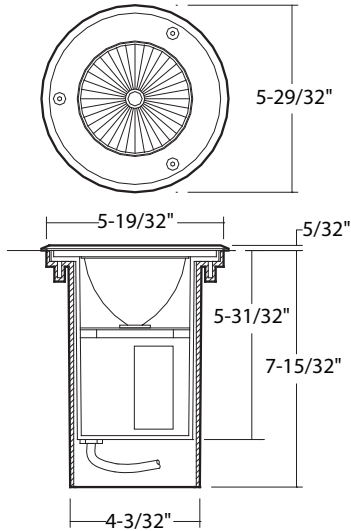


IG16 - 6" LED IN-GRADE

900LM/1200LM



- IP67 for wet locations and poured concrete
- IK10 rated for drive over
- 120V-277V input option

ORDERING : IG16-L12UE-DUN-T27-FR

IG16

Fixture	Lumens	Optics	Driver	LED	Options
Lumens		Driver		Options	
900lm (10W)	Blank	120V non-dimming	Blank	None	Blank
1200lm (12W)	-L12	120V/277V, 2-Wire ELV, 0-10V dimming	UE-DUN	Frosted Lens	-FR
Optics		LED		Slip Resistant	-SR
40° Flood	Blank	2700K	-T27	Frosted Lens/Slip Resistant	-FR-SR
2° Pencil Beam	-B02	3000K	-T30		
25° Narrow Flood	-B25	3500K	-T35		
60° Wide Flood	-B60	4000K	Blank		
90° Very Wide Flood	-B90	5000K	-T50		
Wall Wash	-BWW				

2023.09.19

SPECIFICATION

Application

Small 6" ingrade luminaire designed for lighting trees, landscaping, soft ground installation, building, and walkways. Easily installs in ground and concrete. Also used for drive over installation.

Outer Housing

Nylon, color: black.

Housing

Constructed from a round one piece high grade die cast aluminum with a powder coat finish. Includes COB LED and reflector, LED driver, and a cable gland with cord. Housing secured to outer housing by two (2) screws. A separate sleeve (by others/customer) may be needed when installing fixture. A junction box (by others/customer) is needed to connect cord to power supply. Fixture is not rated for submersion. Proper drainage must be provided.

Trim

Machined and beveled round stainless steel faceplate. Includes a separate 1/4" thick clear tempered glass lens and a silicone gasket. Secured to housing by four (4) flat head stainless steel tamper resistant screws. Optional Frosted Lens (-FR) and Slip Resistant (-SR) also available.

Electrical

Standard LED Driver (Blank) is 120VAC non-dimming, 50/60Hz, electronic Constant Current, Class 2, Power Factor >0.90. Optional 120V/277V, 2-Wire, ELV, 0-10V dimming LED Driver (UE-DUN) is also available.

Optics

Color Temperature:

Comes standard with 4000K (Blank), 2700K (-T27), 3000K (-T30), 3500K (-T35) and 5000K (-T50) also available.



Beam Spread:

Standard 40° Flood (Blank). Optional 2° Pencil Beam (-B02), 25° Narrow Flood (-B25), 90° Very Wide Flood (-B90), and Wall Wash (-BWW) also available.

Lumen Maintenance:

Minimum 50,000 hours L70 life based on ANSI TM-21 calculations from LM80 standardized test results.

SPECIFICATION (Continued)

Technical

IK10 rated. Static load (Walk over): 440 Lbs. Vehicle dynamic load (Drive over): 4400 Lbs maximum at less than 9 mph (pneumatic tires). Drive over installation requires proper support of outer housing underground. A separate sleeve (by others/customer) may be needed around trim when installing fixture.

Finish

Round beveled stainless steel trim.

Certifications and Listings

ETL/cETL listed to UL1598 and UL8750. Suitable for wet locations (IP67) and poured concrete. IK10 rated. Assembled in USA.

Caution

Fixtures must be grounded in accordance with national, state and/or local electrical codes. Failure to do so may result in serious personal injury.

Warranty

Covered by a 5-Year Warranty to be free of defects in materials and craftsmanship. Recommended for applications where ambient temperatures during operation do not exceed 35°C/95°F. Installations exceeding this temperature will result in reduced LED lamp life.