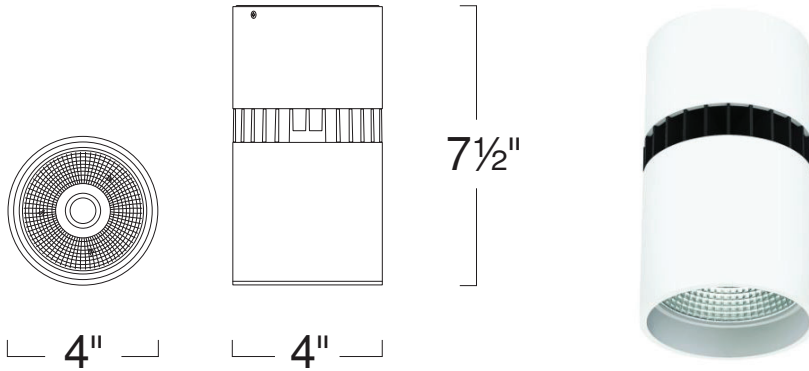


LCALD4 : 4" LUMEN CANNON

PENDANT/CEILING MOUNT 1000LM - 2600LM (10W-30W)



- 120V/277V Input Standard, 347V Available
- Exclusive UniDim™ Universal LED Dimming Option Works with 0-10V, ELV and Incandescent Controls
- 120V or 120V/277V Input Options
- Available TRIAC dimming available
- Wide spectrum of Color Temperatures
- Mounts to typical standard J-Box, perfect for ceilings up to 12'
- Small aperture and slender profile for discrete illumination
- Pendant mounting available for flat and sloped ceilings
- Suitable for dry locations

ORDERING : LCALD4010-B50-DIN-T30-C90-EMA

LCALD4

Fixture	Finish	Lumen Package	Beam	Control	CCT	Accessories
Finish		Control		CCT		
White/Black Fins	LCALD4	Non-Dimming	Blank	3000K (80 CRI)	Blank	Integral Emergency Back Pack -EMA³
All White	LCALD4WW	Non-Dimming (120V/277V)	UE	3000K (90 CRI)	-T30-C90	Surface Mount J-Box -JBS
All Black	LCALD4B	0-10V Dimming (120V/277V)	UE-D10	3000K (97 CRI)	-T30-C97²	
Lumen Package¹		UniDim™ 0-10V, TRIAC/ELV Dimming (120V/277V)	UE-DUN	2700K (90 CRI)	-T27-C90	
1000lm (10W)	010	TRIAC/ELV Dimming (120V)	-DIN	2700K (97 CRI)	-T27-C97²	
1400lm (14W)	140	Athena Wireless Node (120V)	-AWN⁴	3500K (80 CRI)	-T35-C80	
2000lm (20W)	200	UniSense - Integral Motion/Photosensor (120V)	-SUN-INT	3500K (90 CRI)	-T35-C90	
2600lm (30W)	260	UniSense - Integral Motion/Photosensor (120V/277V)	-SUN-INT-1227	4000K (80 CRI)	-T40-C80	
Beam Spread		Casambi Wireless Dimming (120V/277V)	-DCSM²	4000K (90 CRI)	-T40-C90	
40°	Blank	BubblyNet Wireless System (120V/277V)	-DBNT²	5000K (80 CRI)	-T50-C80	
50°	-B50			Warm Dimming	-TWD²	
70°	-B70			3000K-1800K		
Wall Wash	-BWW					

¹ Lumens are nominal delivered lumens. See Photometry page for exact values.
² Special Order. Minimum order quantity (MOQ), extended lead time may apply. Consult Factory.
³ Only available for (LCALD4010, or LCALD4140) with LPCM4, LPCMJ4, LPCMC4 options.
⁴ Must be ordered with -JBS.

347 Input with 0-10V available. Consult Factory for details and lead time.
 Energy Efficient Chip-On-Board (COB) Singular LED Light source provides for smooth uniform light output, eliminating the multiple shadow effect seen by multiple LED source products. Binned with 3-Step MacAdam Ellipses as recommended by Ansi Standard. Available in 2700k, 3000k, 3500k, 4000k, 5000k.
 Custom RAL Color: Please note that we appreciate custom finishes. Custom finishes are subject to a special paint setup fee for the quantity ordered. Extended lead times may apply. Consult Factory.

MOUNTING ACCESSORIES

LPCM4/LPCMJ4
Cable Extension Kit for flat or sloped ceilings



LPCM4/LPCMJ4
Pendant Accessory for flat or sloped ceilings



LPCM4
Square Ceiling Adapter



LPCM4-CLAMP
Clamp Mount



LPCM4-HUB
Thread Hub for pipe mounting



See p. 5 for ordering and more detailed information on Mounting Accessories

SPECIFICATION

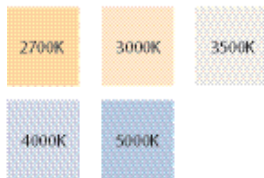
Application

Architectural-grade surface mount LED downlight housing for medium to high ceilings combines energy efficiency with powerful lumen output. Perfect for atriums, churches, lobbies, and airports that have high ceilings.

Mounting

Universal mounting hardware allows mounting to a standard 3.5" octagonal electrical junction boxes. Optional 6" to 48" Stem, 120" Pendant Cable and other accessories are also available. Consult Factory for custom lengths.

Color Temperature (CCT)



Available in:
3000K, 3500K, 4000K, 5000K (80 CRI)
2700K, 3000K, 3500K, 4000k (90 CRI)
2700K, 3000K (97 CRI)

Thermal Management

Heat dissipation facilitated by exposed integral aluminum black heat sink to maximize heat rejection in an open air environment. Strongly Recommended ambient temperature is below 35°C to achieve minimum L70 life of 50,000 hours according to LM80 standard.

Reflector

Multifaceted Specular Reflector.

Optics

Beam Spread - Standard 40° Flood. Also available in B50 - 50° Flood, B70 - 70° Wide Flood, and BWW - Wall Wash.

Finish



High-quality powder coat finish for maximum durability. Available standard in White/Black Fins, All White (WW), and All Black (B), Consult factory for Custom Color.

Certifications and Listings



ETL/cETL listed to UL1598 and UL8750. Suitable for dry locations.
NYC approved: Calendar #41937. For alternate Wet Location option, see DL series.
Assembled in USA.

Caution

Fixtures must be grounded in accordance with national, state and/or local electrical codes. Failure to do so may result in serious personal injury.

SPECIFICATION (Continued)

Control Options

ELV and TRIAC Driver 120V (-DIN):

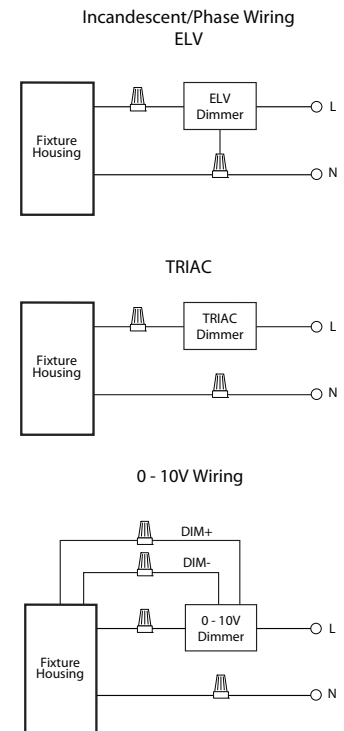
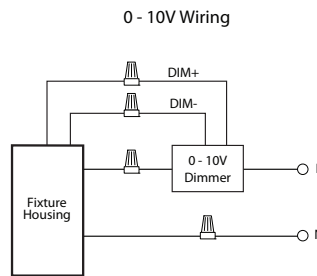
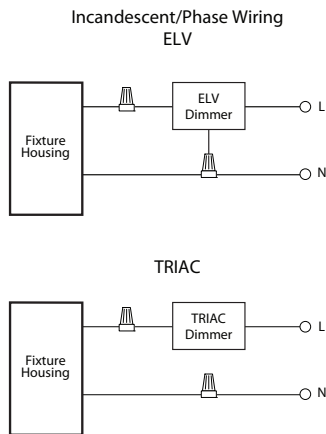
Compatible with electronic low voltage, and 2-Wire incandescent dimmers. Also known as leading edge, Reverse Phase, Forward Phase dimming. Allows smooth dimming down to 5% depending upon the dimmer's limitations.

0-10V Driver 120V/277V (UE-D10):

Compatible with most existing 0-10V systems. Also known as fluorescent or 5-Wire dimming. Allows smooth dimming down to 5% depending upon the dimmer's limitations. Compatible with daylight harvesting controls.

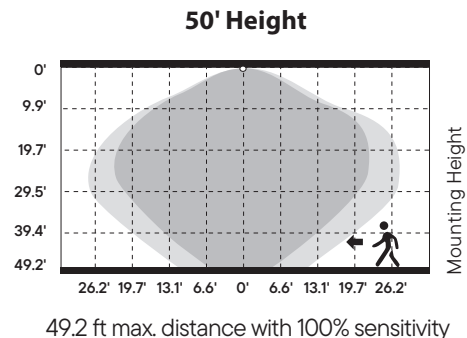
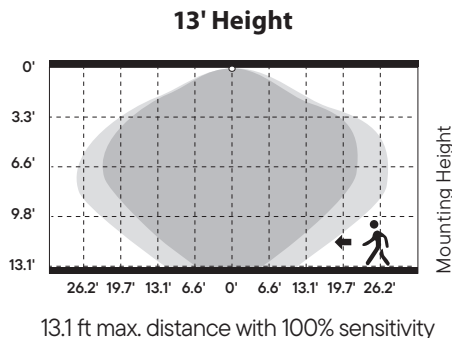
UniDim™ Driver 120V/277V (UE-DUN):

All in one ELV and TRIAC phase dimming (120V only), and 0-10V dimming (120V/277V). Works with most 3-Wire ELV, 2-Wire incandescent and 120V/277V 5-Wire 0-10V fluorescent dimmers.



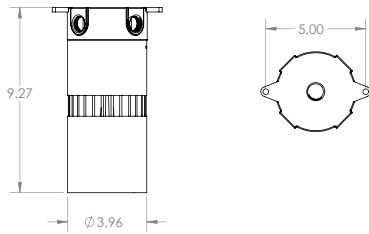
Unisense™ PROGRAMMABLE MOTION + DAYLIGHT (-SUN-INT, -SUN-INT-1227)

- Microwave and PIR (Passive Infrared) sensors depending on option
- Daylight harvesting
- Dusk/dawn sensing capabilities
- Motion Sensor



SPECIFICATION (Continued)

Junction Box



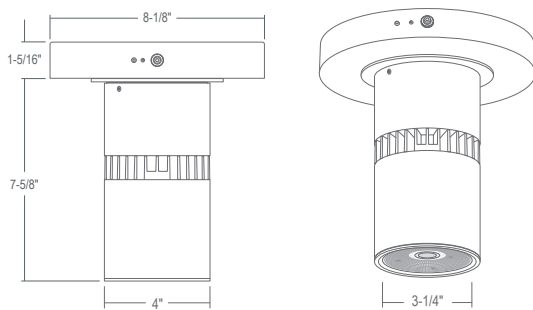
Junction Box mounted on top of fixture to allow multiple conduit entry and surface mounting (-JBS)

Warranty

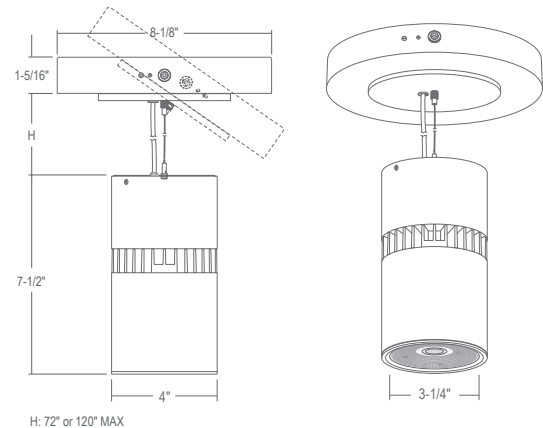
Covered by a 5-Year Warranty to be free of defects in materials and craftsmanship. Fixture should not be installed in applications with ambient temperature above 60°C. Doing so will result in reduced lamp life and voided warranty.

-EMA (Integral Emergency Backpack)

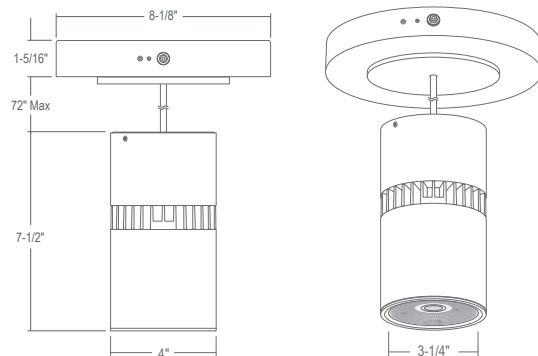
-EMA (standard)



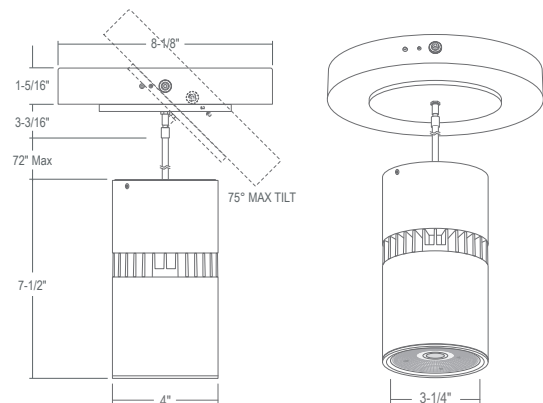
-EMA (with LPCMC4: Cable Extension Kit)



-EMA (with LPCM4: Stem for Flat Ceilings)



-EMA (with LPCM4: Stem for Sloped Ceilings)



Mounting Accessories

ORDERING : LPCM412W-2CCT

Ordering

Fixture Finish

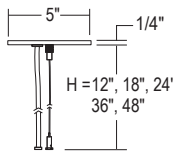
Options

Mounts to standard electrical J-Box. Field adjustable. 4-Wire electrical cable for dimming and non-dimming installations. Aircraft-grade cable.

Cable Extension Kit

Ordering	Fixture Finish	Options
72" LPCM472	White W	None Blank
120" LPCM4120	Black B	2-Circuit -2CCT
250" LPCM4250		Wall Plug Adapter -PI

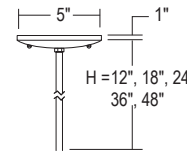
5° Max Slope Ceiling



Mounts to standard electrical J-Box.

Pendant Accessory for Flat Ceilings

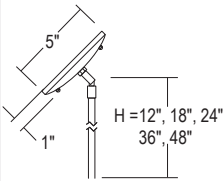
Ordering	Fixture Finish	Options
12" Extension LPCM412	White W	None Blank
18" Extension LPCM418	Black B	2-Circuit -2CCT
24" Extension LPCM424	Natural N	Wall Plug Adapter -PI
36" Extension LPCM436		
48" Extension LPCM448		



Mounts to standard electrical J-Box.

Pendant Accessory for Sloped Ceilings

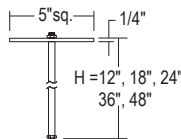
Ordering	Fixture Finish
12" Extension LPCM412	White W
18" Extension LPCM418	Black B
24" Extension LPCM424	Natural N
36" Extension LPCM436	
48" Extension LPCM448	



Mounts to standard electrical J-Box.

Square Ceiling Adapter

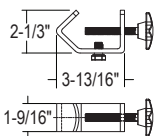
Ordering	Fixture Finish
12" Extension LPCM412	White W
18" Extension LPCM418	Black B
24" Extension LPCM424	
36" Extension LPCM436	
48" Extension LPCM448	



Mounts to Piping and Truss systems up to 2" side. Power Cable not Included. Consult factory for wiring options.

Clamp Mount

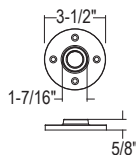
Ordering
White LPCM-CLAMPW
Black LPCM-CLAMPB



Thread Hub for Pipe Mounting for LCALD4 and LCALD6.

Thread Hub for Pipe Mounting

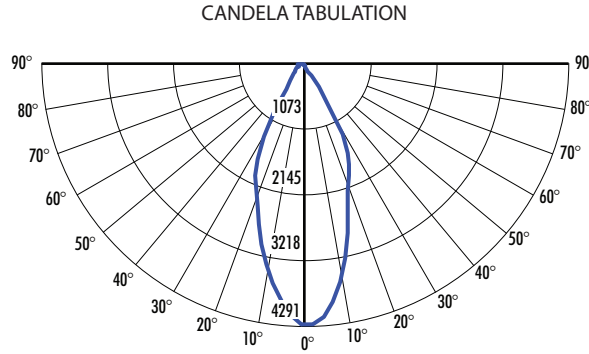
Ordering
1/2" LPCM-HUB-1/2
3/4" LPCM-HUB-3/4
1" LPCM-HUB-1



PHOTOMETRY

LCALD4260UE-DUN-T35 (2600lm, 40°, 3500K)

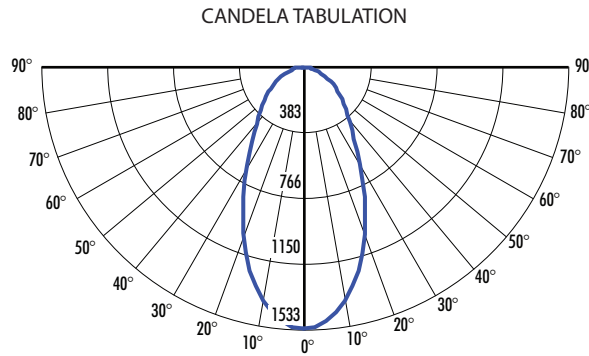
System Power:	30W	MULTIPLIERS
Test Date:	05/2024	CCT
Beam Angle 50%:	41.9°	2700K: 0.92
Field Angle 10%:	69.6°	3000K: 0.98
Color Temperature:	3379K	3500K: 1.00
CRI:	94.6	4000K: 1.04
Lumens Delivered:	2533	CRI
CBCP:	4285	90CRI: 1.00
Power Factor:	0.99	97CRI: 0.87



FOOTCANDLE DISTRIBUTION		
Height	Beam Diameter	FC
10.0'	7.66'	42.81
12.0'	9.19'	29.73
14.0'	10.72'	21.84
16.0'	12.25'	16.72
18.0'	13.78'	13.21
20.0'	15.31'	10.70

LCALD4260-B50UE-DUN-T35 (2600lm, 50°, 3500K)

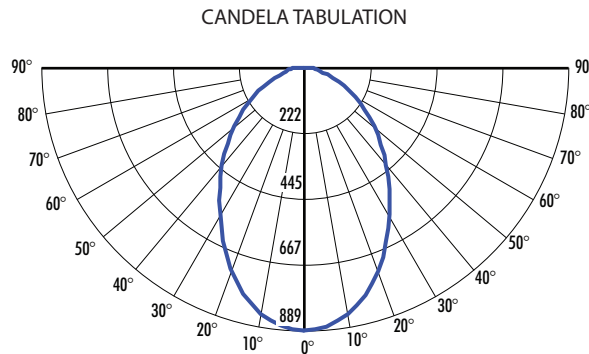
System Power:	30W	MULTIPLIERS
Test Date:	05/2024	CCT
Beam Angle 50%:	54.1°	2700K: 0.92
Field Angle 10%:	131.8°	3000K: 0.98
Color Temperature:	3386K	3500K: 1.00
CRI:	94.1	4000K: 1.04
Lumens Delivered:	1976	CRI
CBCP:	1533	90CRI: 1.00
Power Factor:	0.99	97CRI: 0.87



FOOTCANDLE DISTRIBUTION		
Height	Beam Diameter	FC
10.0'	10.21'	15.33
12.0'	12.26'	10.65
14.0'	14.30'	7.82
16.0'	16.34'	5.99
18.0'	18.38'	4.73
20.0'	20.43'	3.83

LCALD4260-B70UE-DUN-T35 (2600lm, 70°, 3500K)

System Power:	30W	MULTIPLIERS
Test Date:	05/2024	CCT
Beam Angle 50%:	78.0°	2700K: 0.92
Field Angle 10%:	144.8°	3000K: 0.98
Color Temperature:	3371K	3500K: 1.00
CRI:	94.0	4000K: 1.04
Lumens Delivered:	1687	CRI
CBCP:	889	90CRI: 1.00
Power Factor:	0.99	97CRI: 0.87



FOOTCANDLE DISTRIBUTION		
Height	Beam Diameter	FC
10.0'	16.20'	8.89
12.0'	19.43'	6.17
14.0'	22.67'	4.54
16.0'	25.91'	3.47
18.0'	29.15'	2.74
20.0'	32.39'	2.22

2024.05.06