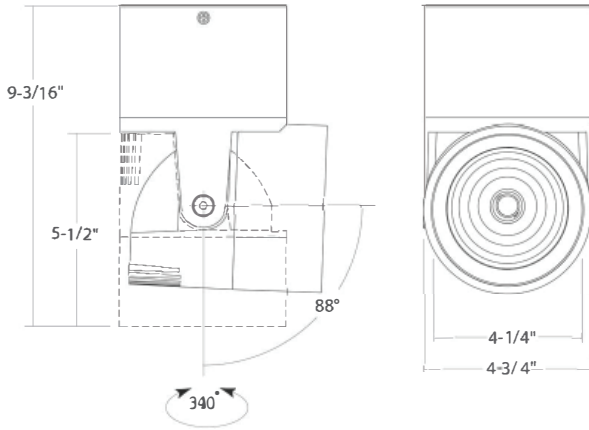


LCALDJ5 : 5" CYLOPRO

ADJUSTABLE ACCENT 2500lm/3500lm (30W-45W)



Not recommended for horizontal wall mount



- Adjustable illumination with a small footprint
- Pendant or surface mount
- Multiple beam spreads
- Variety of dimming options

ORDERING : LCALDJ5W-L25-B25-DIN-T27-STM24-FR

LCALDJ5

Fixture Finish Lumens Beam Spread Control Color Temperature Mounting Accessories

Finish

White	W
Black	B

Lumens

2500lm (30W)	-L25
3500lm (45W)	-L35

Beam Spread

40° Flood	Blank
15° Narrow Spot	-B15
25° Narrow Flood	-B25

Control

Non-Dimming (120V)	Blank
TRIAC/ELV Dimming (120V)	-DIN
0-10V Dimming (120V/277V)	UE-D10
UniDim™ 0-10V, TRIAC/ELV Dimming (120V/277V)	UE-DUN
DALI Dimming (120V/277V)	UE-DLI¹
Athena Wireless Node (120V)	-AWN²
Athena Wireless Node Occupancy Sensor (120V)	-AWN-OCC²
Casambi Wireless Dimming (120V/277V)	-DCSM¹
BubblyNet Wireless System (120V/277V)	-DBNT¹

Color Temperature

3000K (90 CRI)	Blank
3000K (97 CRI)	-T30-C97
2700K (90 CRI)	-T27
2700K (97 CRI)	-T27-C97
3500K (90 CRI)	-T35
4000K (90 CRI)	-T40

Mounting

Surface Mount (4" Octagonal Jbox)	-40
12" Stem Pendant	-STM12
24" Stem Pendant	-STM24
36" Stem Pendant	-STM36
48" Stem Pendant	-STM48
12" Stem Pendant (Sloped Ceiling)	-STM12J
24" Stem Pendant (Sloped Ceiling)	-STM24J
36" Stem Pendant (Sloped Ceiling)	-STM36J
48" Stem Pendant (Sloped Ceiling)	-STM48J
72" 5-Wire Cord Mount	-CRD72

Accessories

None	Blank
Frosted Lens	-FR
Louver	-LVR

2025.01.05

¹ Special Order.

² Special Order. Must be ordered with LCMPD7-EMA-BLANK.

SPECIFICATION**Application**

Architectural-grade surface, pendant and track mount adjustable accent LED provides you the flexibility to put the light where and how you want it, whether into tight corners or accenting your favorite collection. Not recommended for horizontal wall mount.

Housing

Extruded aluminum with die-cast aluminum swivel and one piece combination heat sink and reflector enclosure. Luminaire is adjustable with maximum swivel angle to 85° off center, and a 340° rotation.

Mounting

Options include 3.5" or 4" octagonal junction box mounting plate, 12", 24", 36" or 48" stem pendant, 72" 5-Wire Cord Mount.

Reflector

Multifaceted polycarbonate Total Internal Reflection (TIR) optic.

Optics

LED Light Engine:

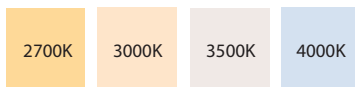
COB (Chip on Board) Meets CA Title 24 Requirements and other standards restricting the use of Medium Base or Bi-Pin Sockets.

Lumens:

Available up to 3500lm (45W)

Color Temperature:

Available in 3000K (90 CRI) standard. Optional (90 CRI) 3500K and 4000K and (97 CRI) 2700K and 3000K are also available.



Beam Spread:

Standard 40° Flood (Blank). Also available in 15° Narrow Spot (B15) and 25° Narrow Flood (B25).

Lumen Maintenance:

Minimum 50,000 hours L70 life based on ANSI TM-21 calculations from LM80 standardized test results.

SPECIFICATION (Continued)

Thermal Management

Heat dissipation facilitated by exposed integral aluminum heat sink to maximize heat rejection in an open air environment. Recommended ambient temperature is below 35°C to achieve minimum L70 life of 50,000 hours according to LM80 standard.

Driver

120V/277V AC 50/60Hz Electronic Direct Current Class 2 driver integrally mounted on large access Junction Box. Power Factor > 0.90. Operating Temperature: -10°C to +80°C.

Control

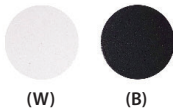
Options include 120V Triac/ELV (-DIN); 120V/277V 0-10V (UE-D10), and 120V/277V Triac/ELV 0-10V (UE-DUN).

CASAMBI WIRELESS FIXTURE DIMMING CONTROL (-DCSM)

- Wireless technology with (BLE) Bluetooth Low Energy
- Mesh network connectivity and control
- Signal can be boosted by enabling openings near the module. Consult Factory.



Finish



High quality powder coat finish for maximum durability. Available in Black, or White. Consult factory for Custom Color.

Certifications and Listings

ETL/cETL listed to UL1598 and UL8750. Suitable for dry and damp locations. NYC approved: Calendar #41937. Assembled in USA.

Caution

Fixtures must be grounded in accordance with national, state and/or local electrical codes. Failure to do so may result in serious personal injury.

Warranty

Covered by a 5-Year Warranty to be free of defects in materials and craftsmanship. Fixture should not be installed in applications with ambient temperature above 60°C. Doing so will result in reduced lamp life and voided warranty.