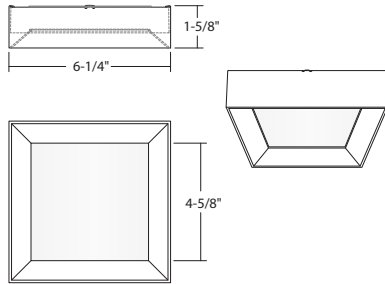
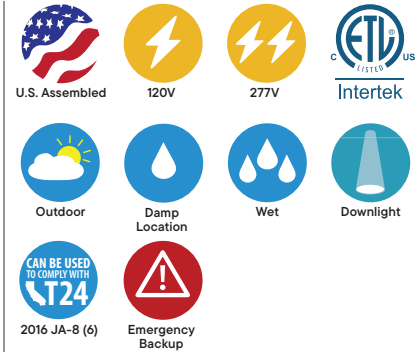
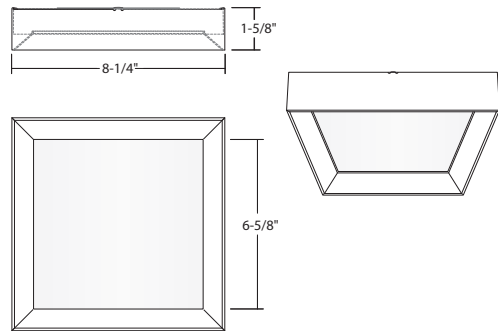


LCMPD-BVL : 5" & 7" SQUARE BEVEL LUMENPAD 1000LM/1300LM (10W/14W)

5" BEVEL



7" BEVEL



- New Bevel Trim Tapered Design
- Complements modern and architectural interiors
- Robust anodized color finishes
- WET LOCATION – For covered ceiling mount only
- Multiple Wireless Control Options
- Remote Emergency Available
- Various Color Temperatures and ColorSelect
- Low Glare

ORDERING : LCMPD-BVL-5QW-TS27

Fixture	Finish	Control	Color Temperature	Emergency Options
Fixture		Control	Color Temperature	Emergency Options
5" Square Bevel LumenPad 1000lm (10W)	LCMPD-BVL-5Q	TRIAC/ELV Dimming (120V) 0-10V Dimming (120V/277V) Casambi Wireless Dimming (120V/277V)	Blank ³ UE-D10 -DCSM	2700K (90 CRI) -TS27 3000K (90 CRI) -TS30 3500K (90 CRI) -TS35
7" Square Bevel LumenPad 1300lm (14W)	LCMPD-BVL-7Q	BubblyNet Wireless System (120V/277V) Athena Wireless Node (120V) Athena Wireless Node Occupancy Sensor (120V)	-DBNT -AWN -AWN-OCC	4000K (90 CRI) -TS40 5000K (90 CRI) -TS50 ⁶ Color Select 2700K/3000K/3500K/4000K/5000K (90 CRI) -TS2750 ⁶
Finish				
White	W ²			None Blank
Black	B			Remote Location -EMAC ^{4,5}
Silver	S ²			Emergency System
Bronze	BZ			
Matte Gold	MG ²			

¹ Special order. Minimum Order, Extended lead time may apply. Consult Factory.

² Special Order Finish. Minimum order quantity (MOQ) applies. Orders less than MOQ are subject to a special paint set-up fee for the quantity ordered. Extended lead times may apply. Consult Factory.

³ California Title 24/JA8 compliant with (Blank) TRIAC/ELV Dimming (120V) only.

⁴ Remote Location Emergency System only available for (UE-D10).

⁵ Check Wiring Diagram for Remote Emergency Backup.

⁶ TRIAC/ELV Dimming (120V) not available for -TS2750 and -TS50.

SPECIFICATION

Application

5" & 7" Square LumenPad with Bevel Trim Ring for Ceiling and Wall Mounting. The ceiling mount surface can be used to direct and guide as well as supply lighting for security.

Housing

Bevel Ring is constructed from high strength 20Ga steel with durable anodized finish. Lens is a polycarbonate frosted white lens.

Mounting

Universal mounting hardware allows mounting to all standard octagonal electrical junction boxes. 120V/277V 0-10V Dimming Driver (UE-D10) has external 2-1/8" by 7/8" Driver. WET LOCATION – For covered ceiling mount only.

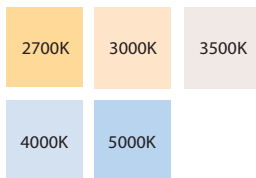
Finish

High quality anodized finish for maximum durability. Available in White, Black, Silver, Bronze and Matt Gold (custom).

Certifications and Listings

ETL/cETL listed. Suitable for Wet Location Installations (Covered Ceiling Mount). Suitable for use in closets, compliant with NFPA[®] 70, NEC[®] Section 410.16 (A)(3) and 410.16 (C)(5).
ADA compliant and suitable for installation within 4ft of the ground.

LED



Available in 2700K, 3000K, 3500K, 4000K, 5000K, ColorSelect
2700K/3000K/3500K/4000K/5000K 90 CRI (Color Rendering Index).
LED's binned according to ANSI C78 377A for color temperature and chromaticity ranges.

Warranty

Covered by a 5-Year Warranty to be free of defects in materials and craftsmanship. Fixture should not be installed in applications with ambient temperature above 50°C/122°F. Doing so will result in reduced lamp life and voided warranty.

SPECIFICATION (Continued)

FULL POWER EMERGENCY INVERTER (-EMAC)

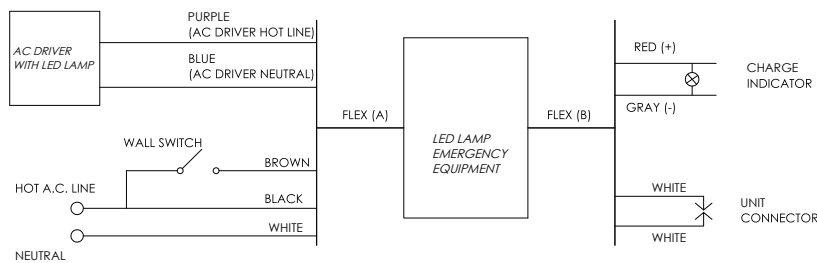
- Must be installed in Dry Locations
- Wattage package will determine battery sent; corresponding wiring diagrams below
- 170 VDC output to AC DRIVER during EM mode

Not rated for outdoor mounting. Damp location rated.

-EMAC Lumen Data (Battery)

Fixture/Trim	LCMPD-BVL-5QUE-D10	Fixture/Trim	LCMPD-BVL-7QUE-D10
Fixture Wattage:	10W	Fixture Wattage:	14W
Fixture Lumens:	1000	Fixture Lumens:	1300
EM Lumens:	1000	EM Lumens:	1300

<25W LOAD

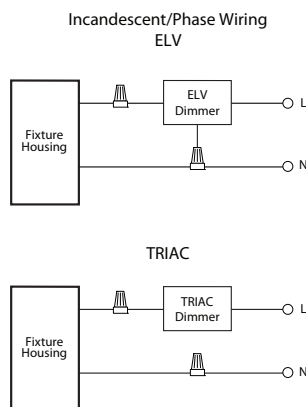


Input Voltage:	120-277VAC/60Hz
Output Voltage:	170VDC (120VAC Equivalent)
Wattage:	25W
Switching Time:	<1s
Charging Time:	24h
Operating Time:	90 minutes
Minimum Temperature:	0°C
Maximum Temperature:	50°C
Self-Diagnostic:	No

Control Options

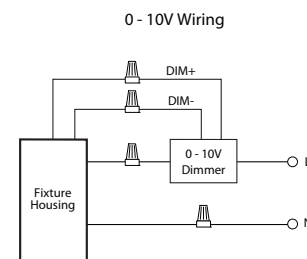
ELV and TRIAC Driver 120V (-DIN):

Compatible with electronic low voltage, and 2-Wire incandescent dimmers. Also known as leading edge, Reverse Phase, Forward Phase dimming. Allows smooth dimming down to 5% depending upon the dimmer's limitations.



0-10V Driver 120V/277V (UE-D10):

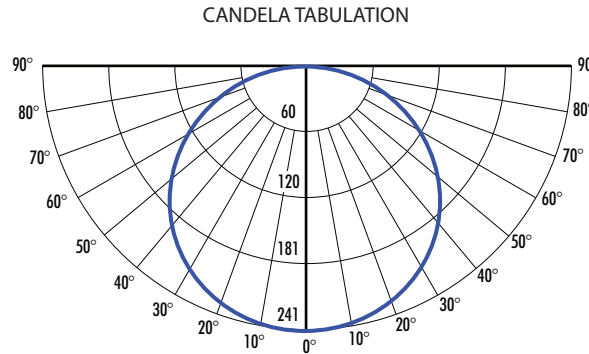
Compatible with most existing 0-10V systems. Also known as fluorescent or 5-Wire dimming. Allows smooth dimming down to 5% depending upon the dimmer's limitations. Compatible with daylight harvesting controls.



PHOTOMETRY

LCMPD-BVL-5QW-TS50 (1000lm, 11W, 4000K, CRI 90)

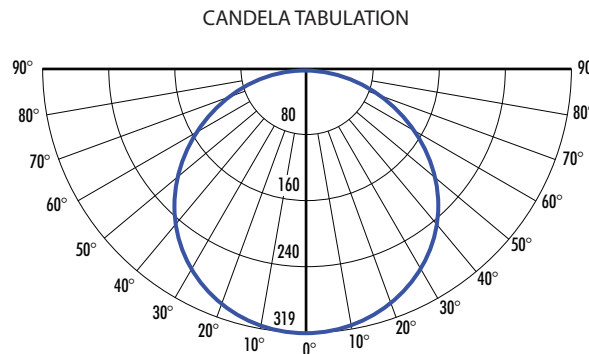
System Power:	11W	MULTIPLIERS	
Test Date:	10/2023	3000K	0.96
Beam Angle 50%:	120.9°	3500K	0.99
Field Angle 10%:	170.8°	4000K	1.00
Color Temperature:	4032K		
CRI:	93.8		
Lumens Delivered:	774		
CBCP:	240.7		
Power Factor:	0.92		



FOOTCANDLE DISTRIBUTION		
Height	Beam Diameter	FC
8.0'	28.22'	3.76
9.0'	31.75'	2.97
10.0'	35.28'	2.41
11.0'	38.81'	1.99
12.0'	42.33'	1.67

LCMPD-BVL-5QWUE-D10-TS50 (1000lm, 11W, 4000K, CRI 80)

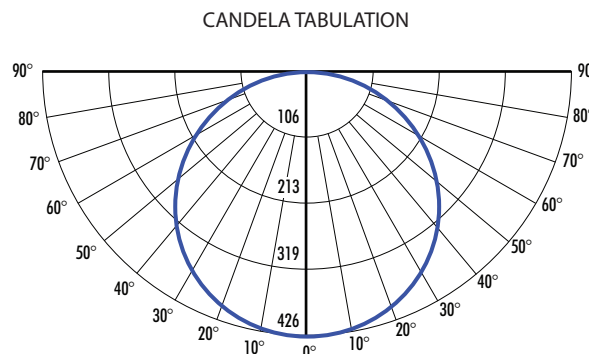
System Power:	11W	MULTIPLIERS	
Test Date:	10/2023	3000K	0.98
Beam Angle 50%:	117.3°	3500K	0.98
Field Angle 10%:	170.2°	4000K	1.00
Color Temperature:	3833K		
CRI:	85.6		
Lumens Delivered:	992		
CBCP:	319.3		
Power Factor:	0.98		



FOOTCANDLE DISTRIBUTION		
Height	Beam Diameter	FC
8.0'	26.26'	4.99
9.0'	29.55'	3.94
10.0'	32.83'	3.19
11.0'	36.11'	2.64
12.0'	39.40'	2.22

LCMPD-BVL-7QW-TS50 (1300lm, 14W, 5000K, CRI 90)

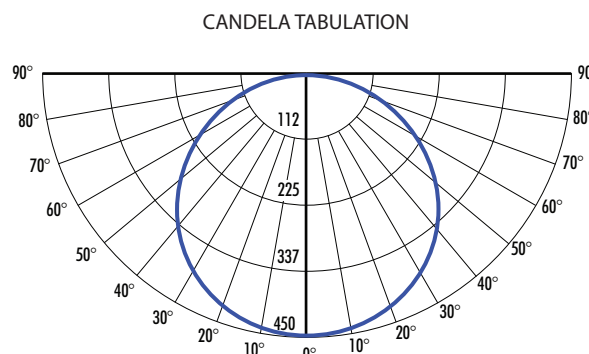
System Power:	14W	MULTIPLIERS	
Test Date:	10/2023	2700K	0.90
Beam Angle 50%:	117.0°	3000K	0.92
Field Angle 10%:	169.6°	3500K	0.96
Color Temperature:	5207K	4000K	0.97
CRI:	93.6	5000K	1.00
Lumens Delivered:	1312		
CBCP:	425.8		
Power Factor:	0.92		



FOOTCANDLE DISTRIBUTION		
Height	Beam Diameter	FC
6.0'	19.58'	11.83
8.0'	26.11'	6.65
10.0'	32.64'	4.26
12.0'	39.16'	2.96
14.0'	45.69'	2.17

LCMPD-BVL-7QWUE-D10-TS50 (1300lm, 14W, 5000K, CRI 90)

System Power:	14W	MULTIPLIERS	
Test Date:	10/2023	2700K	0.91
Beam Angle 50%:	117.2°	3000K	0.93
Field Angle 10%:	169.4°	3500K	0.97
Color Temperature:	5105K	4000K	0.99
CRI:	93.4	5000K	1.00
Lumens Delivered:	1384		
CBCP:	449.5		
Power Factor:	0.99		



FOOTCANDLE DISTRIBUTION		
Height	Beam Diameter	FC
6.0'	19.66'	12.49
8.0'	26.21'	7.02
10.0'	32.77'	4.50
12.0'	39.32'	3.12
14.0'	45.87'	2.29